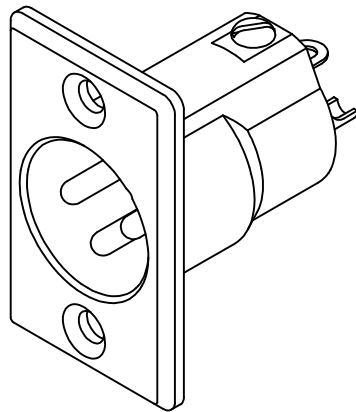


PANEL CUT OUT



ISO VIEW

AC*MPNZ	INSERT No.
AC3MPNZ	156-4066-*00
AC3MMPNZ	156-4068-*00
AC4MPNZ	156-4069-*00
AC5MPNZ	156-4070-*00
AC6AMPNZ	156-4071-*00
AC7MPNZ	156-4072-*00

3	UPDATE TO AMPHENOL TITLE BLOCK & LOGO ADD SHEET 2 OF 2 FOR CUSTOMER DRAWING	L.V	02-10-01	7870
2	UPDATE TO AMPHENOL TITLE BLOCK & LOGO INCLUDE THE CONNECTOR PART & INSERT NO.	M.N.H.	14-06-01	7816
0	FIRST ISSUE	R.D	03-10-95	----
REV.	CHANGE DETAILS	BY	DATE	CHG/No

UNLESS OTHERWISE SPECIFIED TOLERANCE TO BE		THIS DOCUMENT IS THE PROPERTY OF AMPHENOL AUSTRALIA PTY. LTD.. NO PART THEREOF MAY BE REPRODUCED AND USED WITHOUT THE PRIOR WRITTEN CONSENT OF THE OWNER				CAD FILE: 00820103		DRN: R.D	DATE: 03-10-95	TITLE: AC*MPNZ PANEL MOUNT CUSTOMER DRAWING		<b>Amphenol</b> Amphenol Australia Pty Ltd, 2 Fineways Blvd, Keysborough, Vic 3173	
LINEAR	ANGULAR	MATERIAL: REFER TO COMPONENT		CKD: M.N.H	DATE: 24-10-01	FINISH: REFER TO COMPONENT		APP'D: P.M	DATE: 29-10-01	DRAWING NO. SHEET		128460-0000 2 of 2	
X ± 1	X' ± 1'	DO NOT SCALE		SCALE: 2:1 UOS		DIMENSIONS IN MILLIMETRES		THIRD ANGLE PROJECTION		PART No: 128460-0000		SIZE: A3	
X.X ± 0.5	X'X' ± 30'												
X.XX ± 0.10	X'X'X' ± 15'												