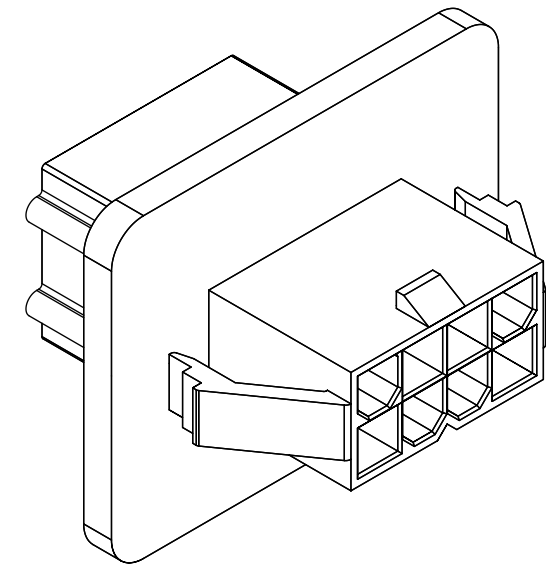
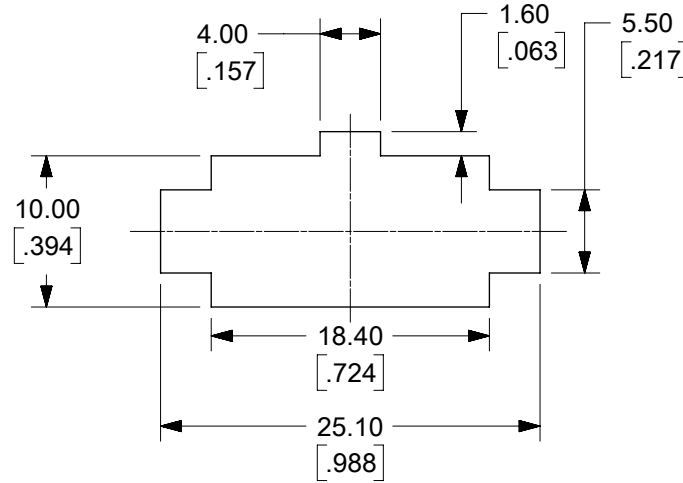
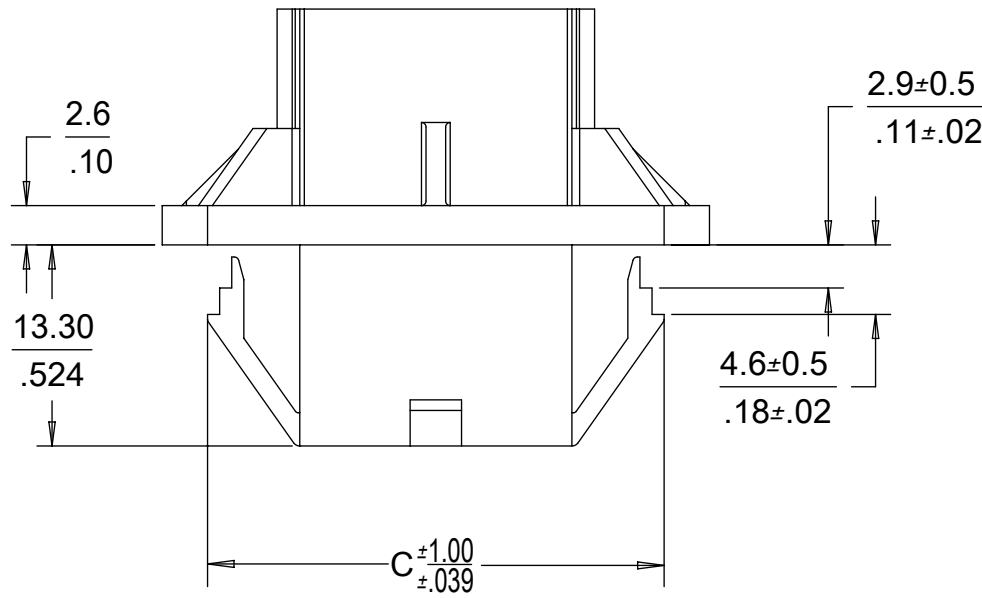
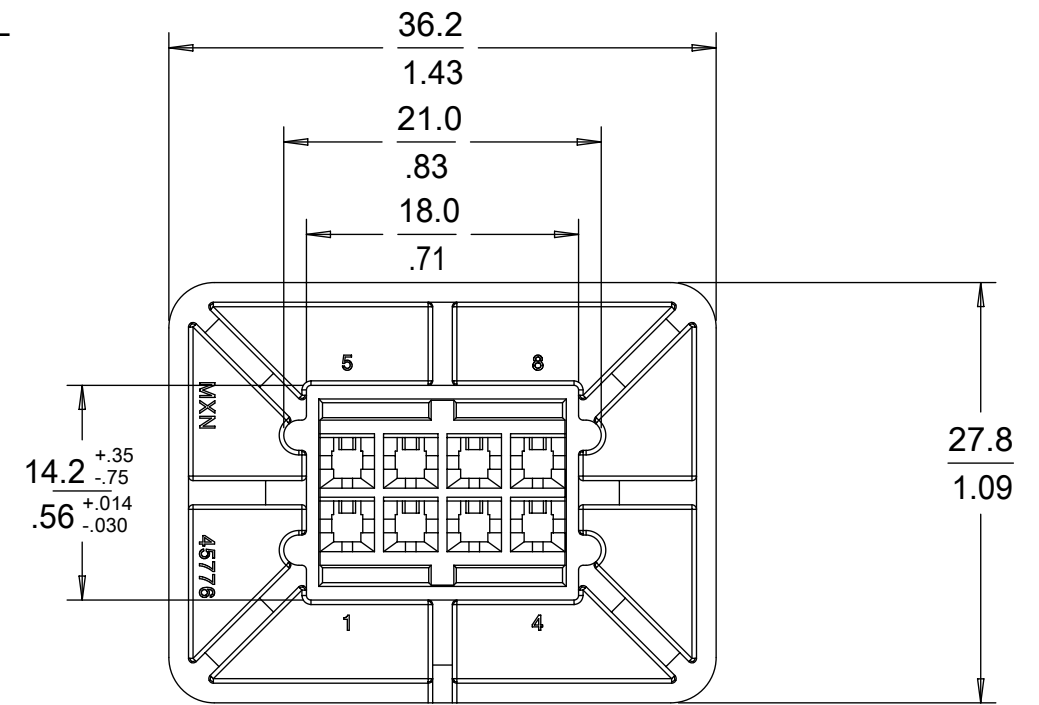
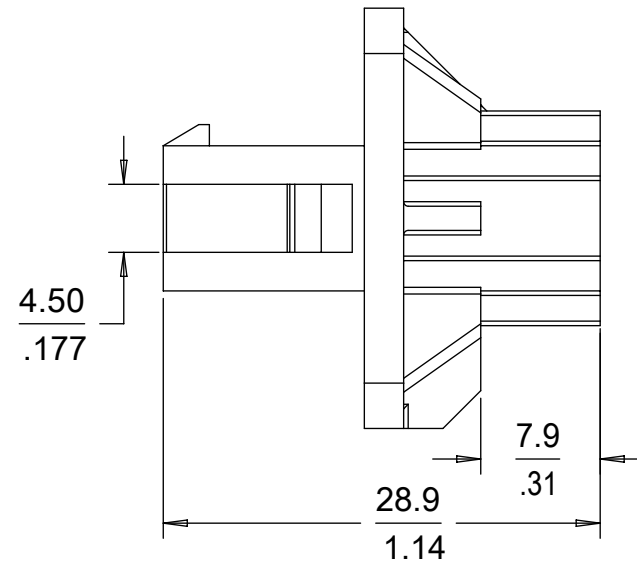
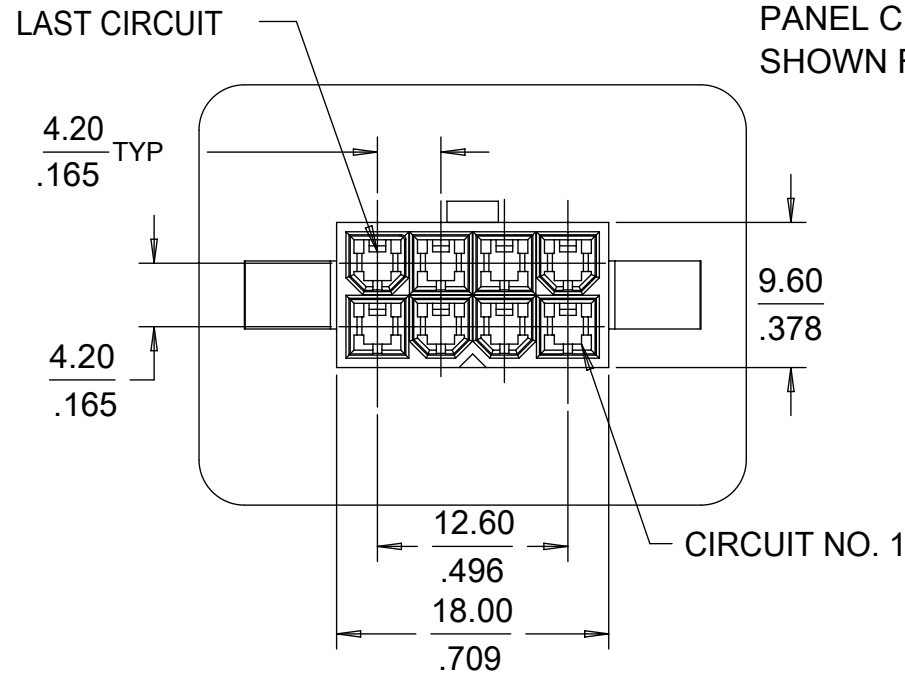


8 CIRCUIT PART SHOWN



RECOMMENDED PANEL CUT-OUTS FOR $\frac{0.89/3.00}{.035/.118}$ THICK PANEL

PANEL CUTOUT TOLERANCES ±0.10/±.004 SHOWN FROM MATING SIDE

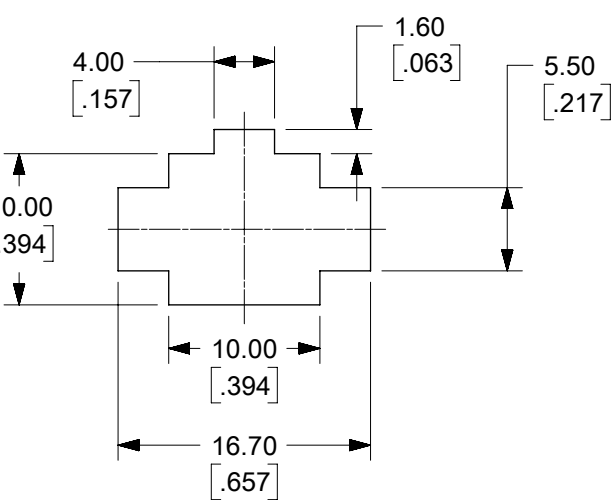
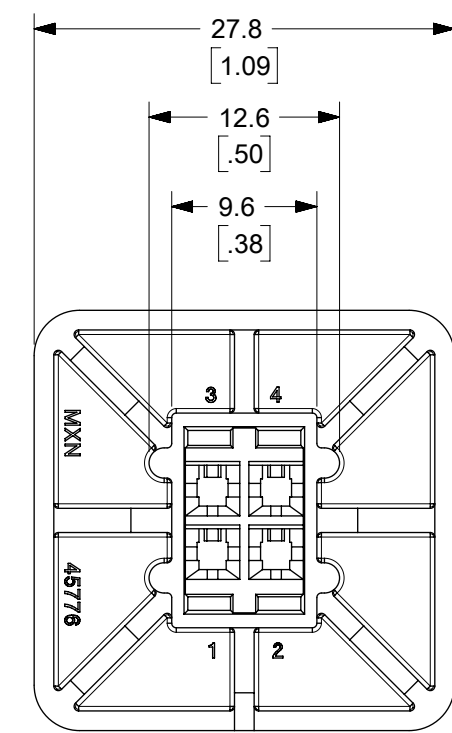
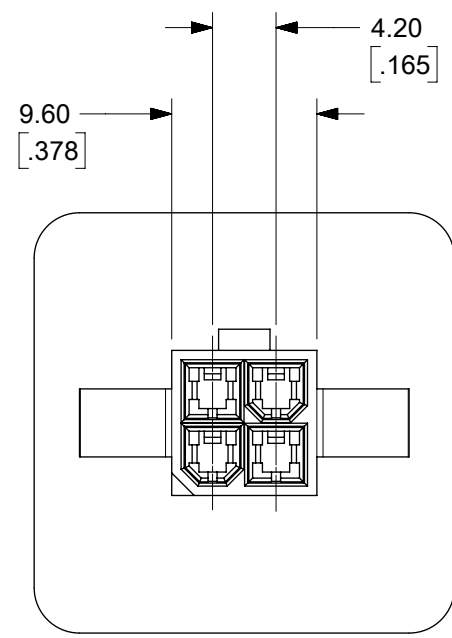


NOTES:

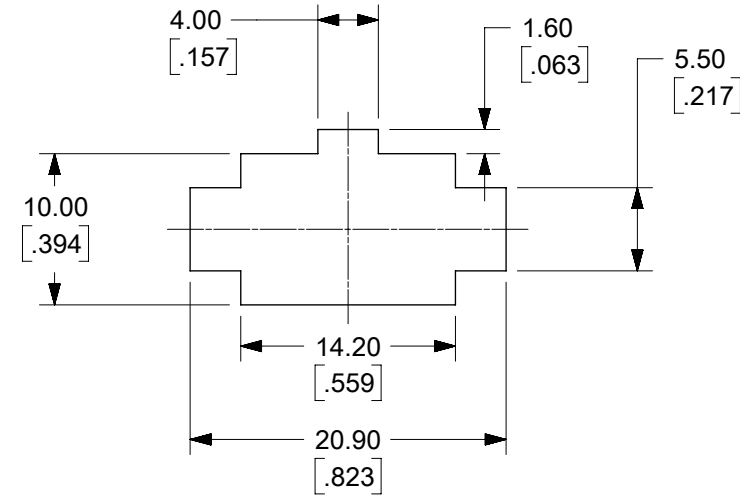
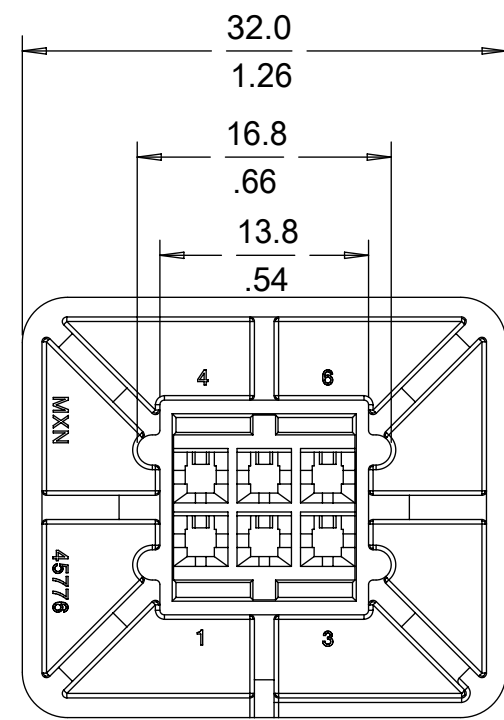
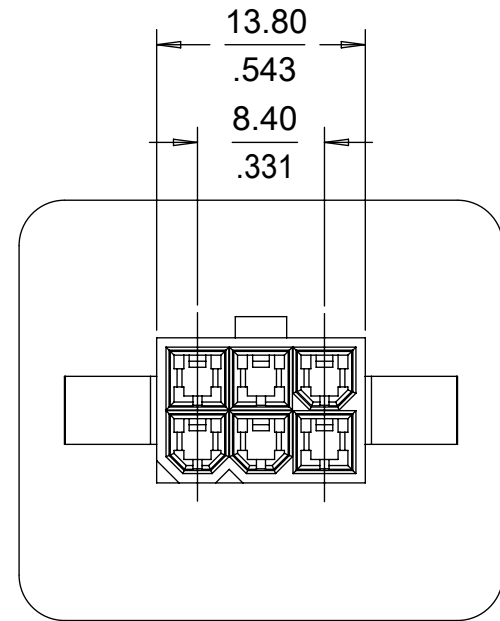
- MATERIAL:
GW V-2 = NYLON, UL94V-2, COLOR: NATURAL, IEC 60335-1
5th EDITION GLOW WIRE CAPABLE
V-0 = NYLON, UL94V-0, COLOR: SEE CHART
- FINISH: N/A
- PRODUCT SPECIFICATION: PS-5556-001
- PACKAGING: BULK PACKAGED PER PK-45776-001
- THIS PART IS DESIGNED TO USE MINI-FIT MALE CRIMP TERMINALS #5558.
- THIS PART MATES WITH RECEPTACLE #5557 AND #46992.
- WIRES TO BE DRESSED IN SUCH A MANNER TO ALLOW TERMINALS TO FLOAT FREELY IN THE POCKET.
- CONNECTORS ARE NOT TO BE MATED OR UNMATED WHILE CIRCUITS ARE LIVE.
- PART CONFORMS TO CLASS "B" REQUIREMENTS OF COSMETIC SPECIFICATION PS-45499-002.
- TEXT ON PART IS FOR REFERENCE ONLY. TEXT AND TEXT LOCATION MAY VARY DEPENDING ON PART NUMBER AND/OR TOOL.

QUALITY SYMBOLS	THIS DRAWING CONTAINS INFORMATION THAT IS PROPRIETARY TO MOLEX ELECTRONIC TECHNOLOGIES, LLC AND SHOULD NOT BE USED WITHOUT WRITTEN PERMISSION				
∇ = 0 ∇ = 0 ∇ = 0 \blacktriangledown = 0 ∇ = 0 \boxtimes = 0 \blacksquare = 0 ∇ = 0	ADD 4016, & 4018 EC NO: 115507 DRWN: CSLAFTER CHK'D: JBELL REV APPR: FSMITH	2017/04/07 2017/04/07 2017/04/11	GENERAL TOLERANCES (UNLESS SPECIFIED) MM INCH 4 PLACES ± ± 3 PLACES ± ± 0.01 2 PLACES ± 0.25 ± 0.14 1 PLACES ± 0.35 ± 0 PLACES ± ± ANGULAR TOL ± 0.5 DRAFT WHERE APPLICABLE MUST REMAIN WITHIN DIMENSIONS	DIMENSION UNITS: MM/IN SCALE: 2:1 DRWN BY: JBELL DATE: 2010/03/02 CHK'D BY: JBELL DATE: 2010/03/03 APPR BY: FSMITH DATE: 2010/10/25 DRAWING SIZE: B THIRD ANGLE PROJECTION	molex FOAM-IN-PLACE MINI-FIT-PLUG HOUSING PRODUCT CUSTOMER DRAWING SERIES: 45776 MATERIAL NUMBER: SEE CHART CUSTOMER: GENERAL MARKET DOCUMENT NUMBER: SD-45776-001 DOC TYPE: PSD DOC PART: 000 SHEET NUMBER: 1 OF 3
RELEASE STATUS: P1 RELEASE DATE: 11.04.2017 16:53:33					

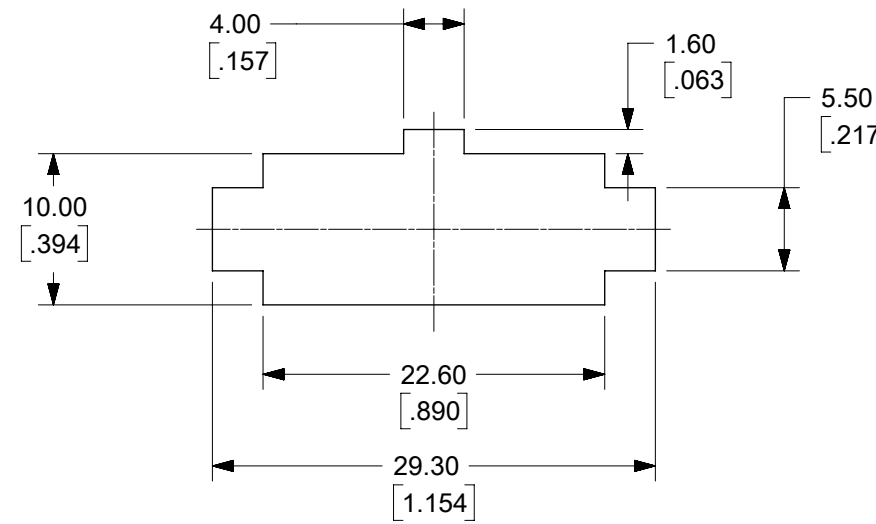
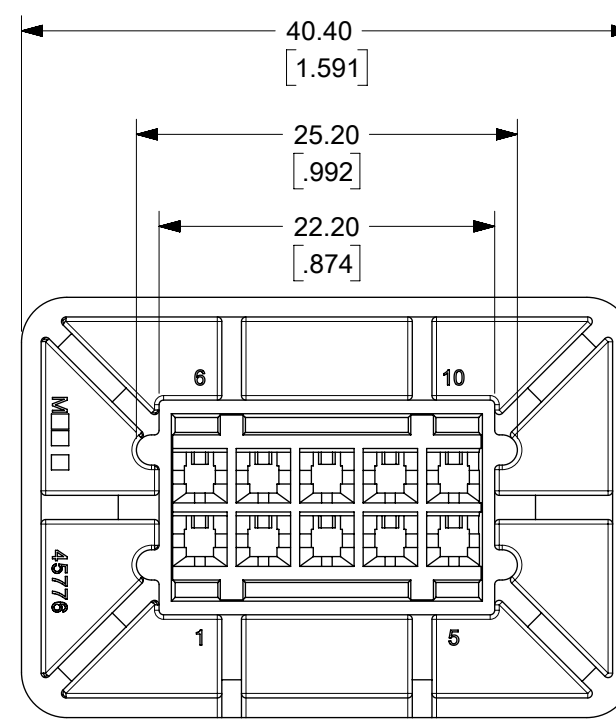
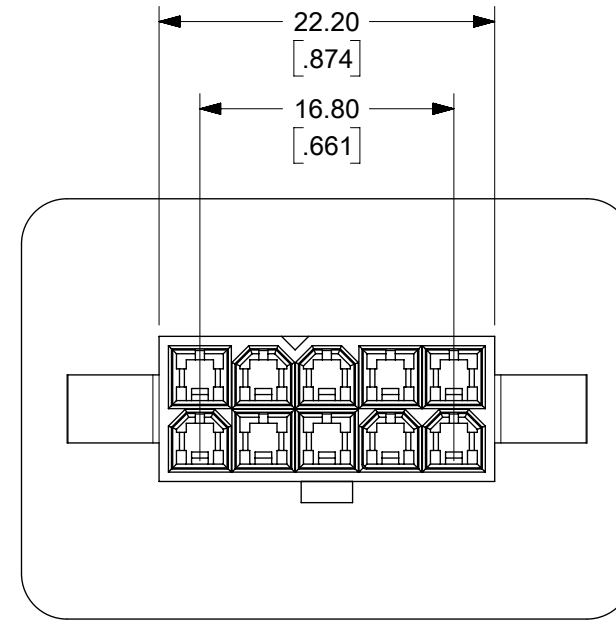
4 CIRCUIT



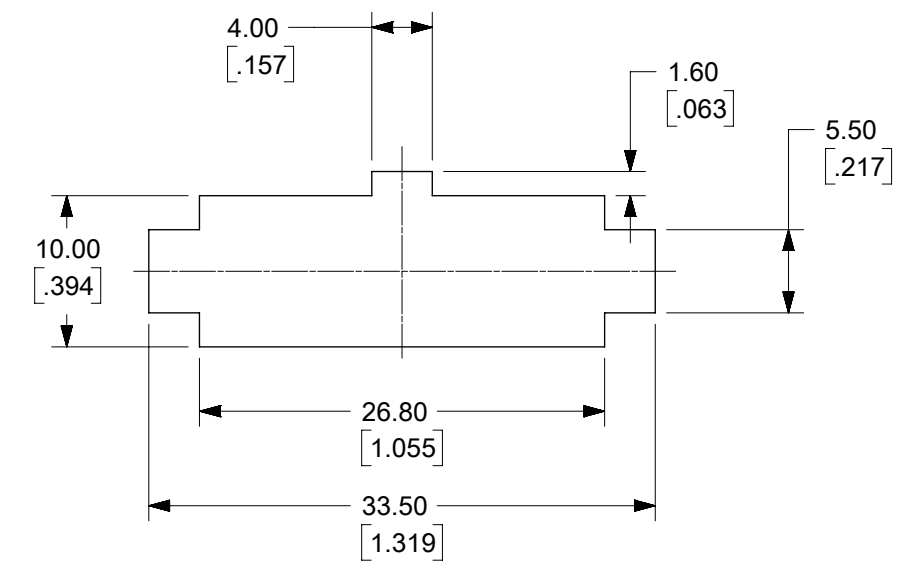
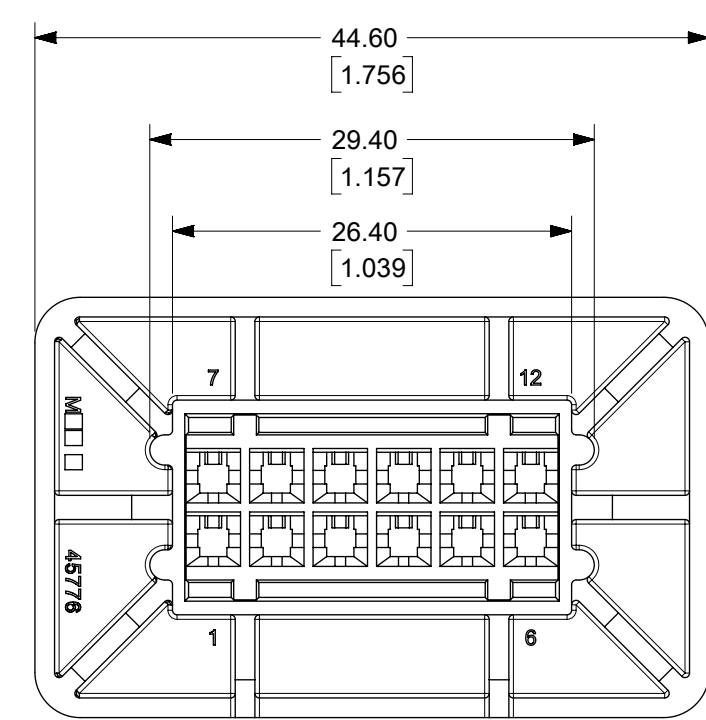
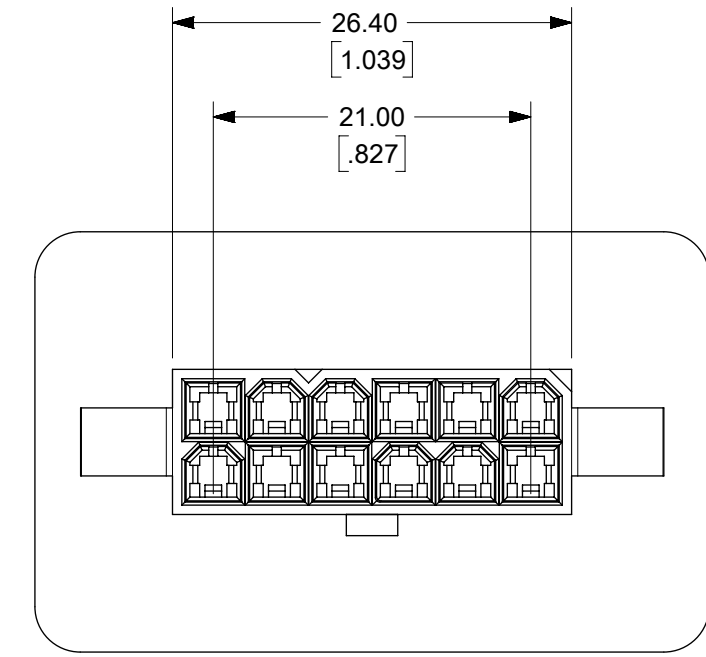
6 CIRCUIT



10 CIRCUIT



12 CIRCUIT



RECOMMENDED PANEL CUT-OUTS FOR 0.89/3.00 THICK PANEL
0.035/.118

PANEL CUTOUT TOLERANCES ±0.10/±.004
SHOWN FROM MATING SIDE

NOTES
1. DIMENSIONS SHOWN ONLY APPLY TO CIRCUIT
SIZE SHOWN, SEE SHEET 1 FOR ALL OTHER
APPLICABLE DIMENSIONS.

QUALITY SYMBOLS	THIS DRAWING CONTAINS INFORMATION THAT IS PROPRIETARY TO MOLEX ELECTRONIC TECHNOLOGIES, LLC AND SHOULD NOT BE USED WITHOUT WRITTEN PERMISSION			
	GENERAL TOLERANCES (UNLESS SPECIFIED)		DIMENSION UNITS	SCALE
▽ = 0	MM INCH		MM/IN	2:1
▽ = 0	4 PLACES ± .010 ± .010		DRWN BY	DATE
▽ = 0	3 PLACES ± .010 ± .010		JBELL	2010/03/02
▽ = 0	2 PLACES ± 0.25 ± .014		CHK'D BY	DATE
▽ = 0	1 PLACES ± 0.35 ±		JBELL	2010/03/03
▽ = 0	0 PLACES ± ±		APPR BY	DATE
▽ = 0	ANGULAR TOL = 1/2		FSMITH	2010/10/25
▽ = 0	DRAFT WHERE APPLICABLE MUST REMAIN WITHIN DIMENSIONS		DRAWING SIZE	THIRD ANGLE PROJECTION
▽ = 0	C		C	
ADD 4016, & 4018	EC NO: 115507	DRWN: CSLAFTER	CHKD: JBELL	REV: APPR: FSMITH
	2017/04/07	2017/04/07	2017/04/11	
	C8			
RELEASE STATUS		P1	RELEASE DATE	11.04.2017 16:53:33
molex®		FOAM-IN-PLACE MINI-FIT-PLUG HOUSING		
PRODUCT CUSTOMER DRAWING				
SERIES	MATERIAL NUMBER	CUSTOMER		
45776	SEE CHART	GENERAL MARKET		
DOCUMENT NUMBER	DOC TYPE	DOC PART	SHEET NUMBER	
SD-45776-001	PSD	000	2 OF 3	

