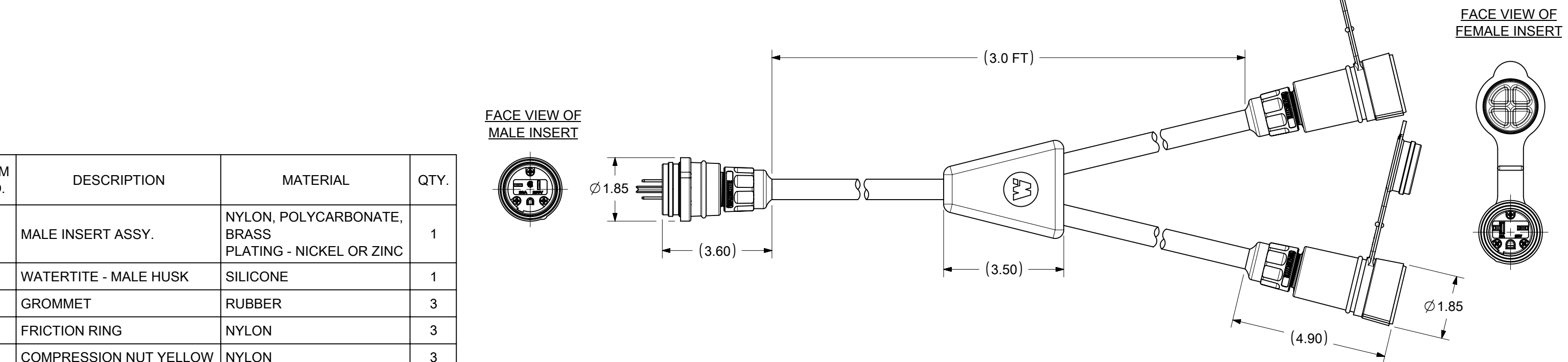
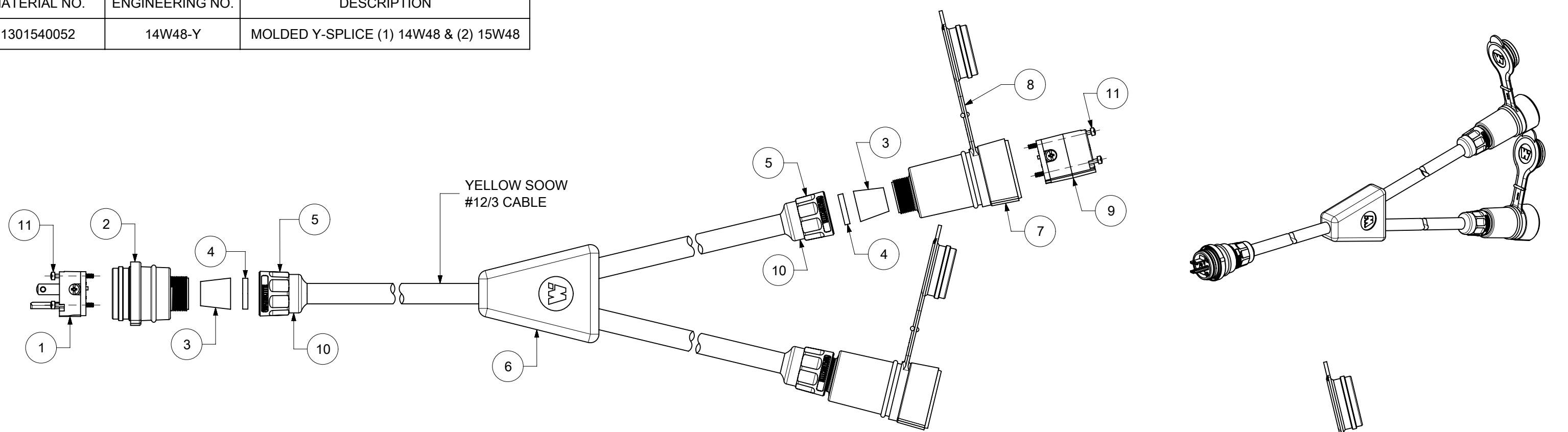


10	9	8	7
MATERIAL NO.	ENGINEERING NO.	DESCRIPTION	
1301540052	14W48-Y	MOLDED Y-SPLICE (1) 14W48 & (2) 15W48	



ITEM NO.	DESCRIPTION	MATERIAL	QTY.
1	MALE INSERT ASSY.	NYLON, POLYCARBONATE, BRASS PLATING - NICKEL OR ZINC	1
2	WATERTITE - MALE HUSK	SILICONE	1
3	GROMMET	RUBBER	3
4	FRICTION RING	NYLON	3
5	COMPRESSION NUT YELLOW	NYLON	3
6	MOLDED "Y" CORDSET	JACKET: RUBBER CONDUCTOR: COPPER	1
7	WATERTITE - FEMALE HUSK	SILICONE	2
8	CLOSURE CAP YELLOW	SILICONE	2
9	FEMALE INSERT ASSY.	NYLON, POLYCARBONATE, BRASS PLATING - NICKEL OR ZINC	2
10	CABLE GLOVE	SILICONE	3
11	RETAINING SCREW	STAINLESS STEEL	9

DOCUMENT STATUS P1 RELEASE DATE 2020/02/05 18:28:58

SYMBOLS		THIS DRAWING CONTAINS INFORMATION THAT IS PROPRIETARY TO MOLEX ELECTRONIC TECHNOLOGIES, LLC AND SHOULD NOT BE USED WITHOUT WRITTEN PERMISSION	
▽ = 0	INCH	SCALE	NTS
▽ = 0	GENERAL TOLERANCES (UNLESS SPECIFIED)		
▽ = 0	ANGULAR TOL	±	°
▽ = 0	4 PLACES	±	
▽ = 0	3 PLACES	±	
▽ = 0	2 PLACES	±	
▽ = 0	1 PLACE	±	
▽ = 0	0 PLACES	±	
■ = 0	DRAFT WHERE APPLICABLE MUST REMAIN WITHIN DIMENSIONS		
▽ = 0	THIRD ANGLE PROJECTION	DRAWING	SERIES
CURRENT REV DESC: NEW RELEASE		EC NO: 621045	
		DRWN: PPURSUTANDEL 2019/07/12	
		CHK'D: PPURSUTANDEL 2019/09/17	
		APPR: HKNEELAND 2020/02/05	
		INITIAL REVISION:	
		DRWN: PPURSUTANDEL 2019/07/12	
		APPR: HKNEELAND 2020/02/05	
DOCUMENT NUMBER		DOC TYPE	DOC PART
1301540052		PSD	000
MATERIAL NUMBER		CUSTOMER	SHEET NUMBER
SEE CHART		GENERAL MARKET	1 OF 1