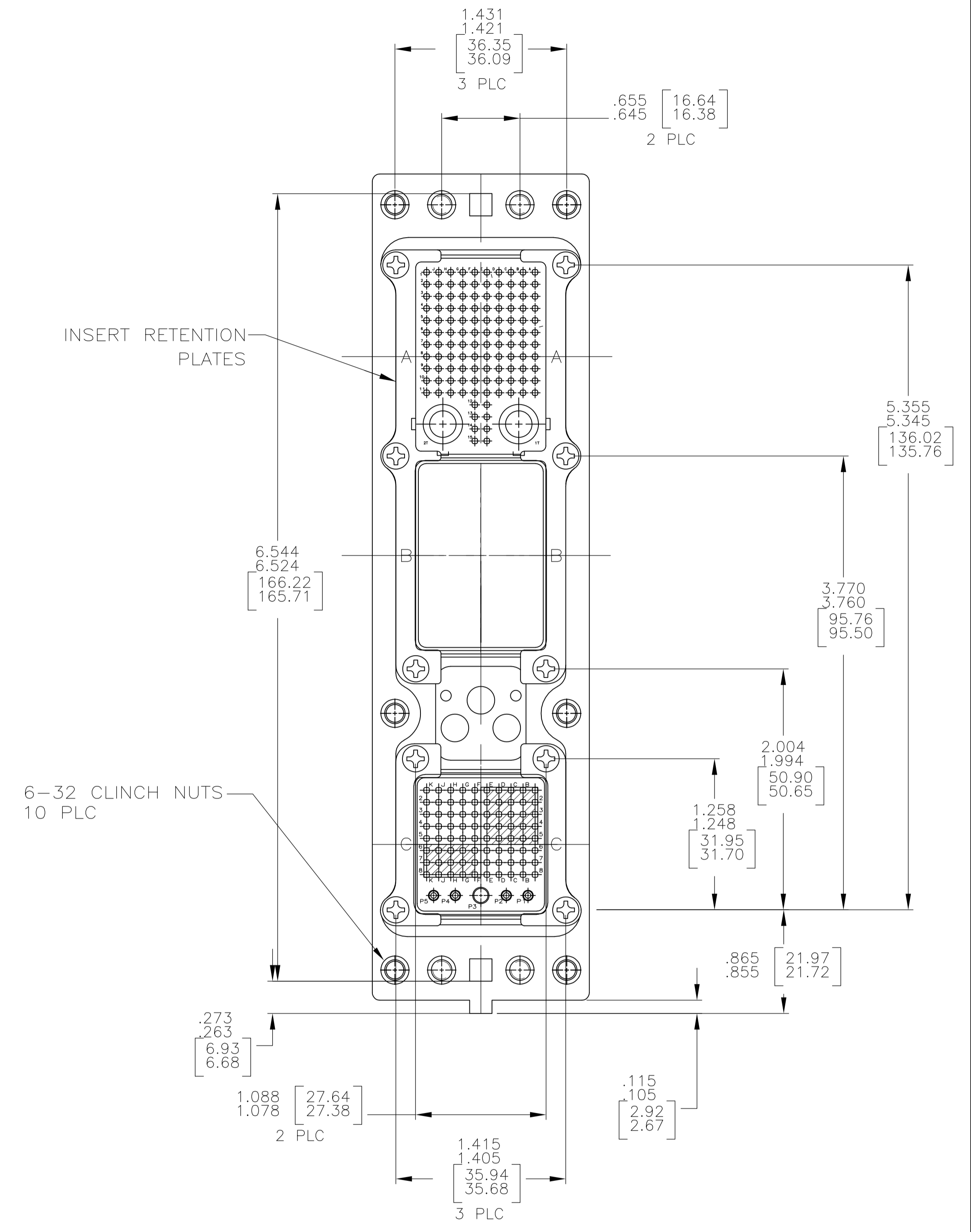
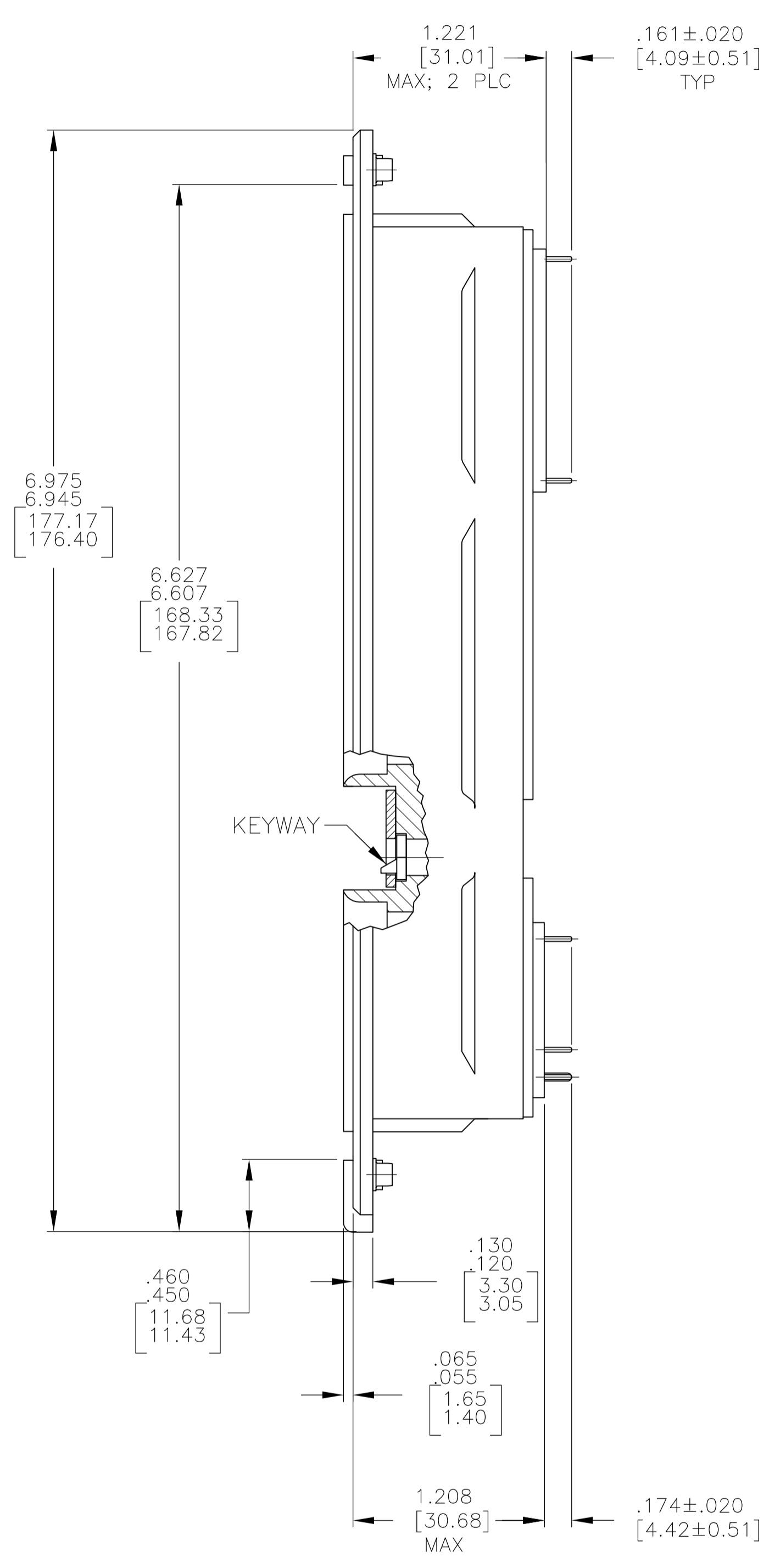
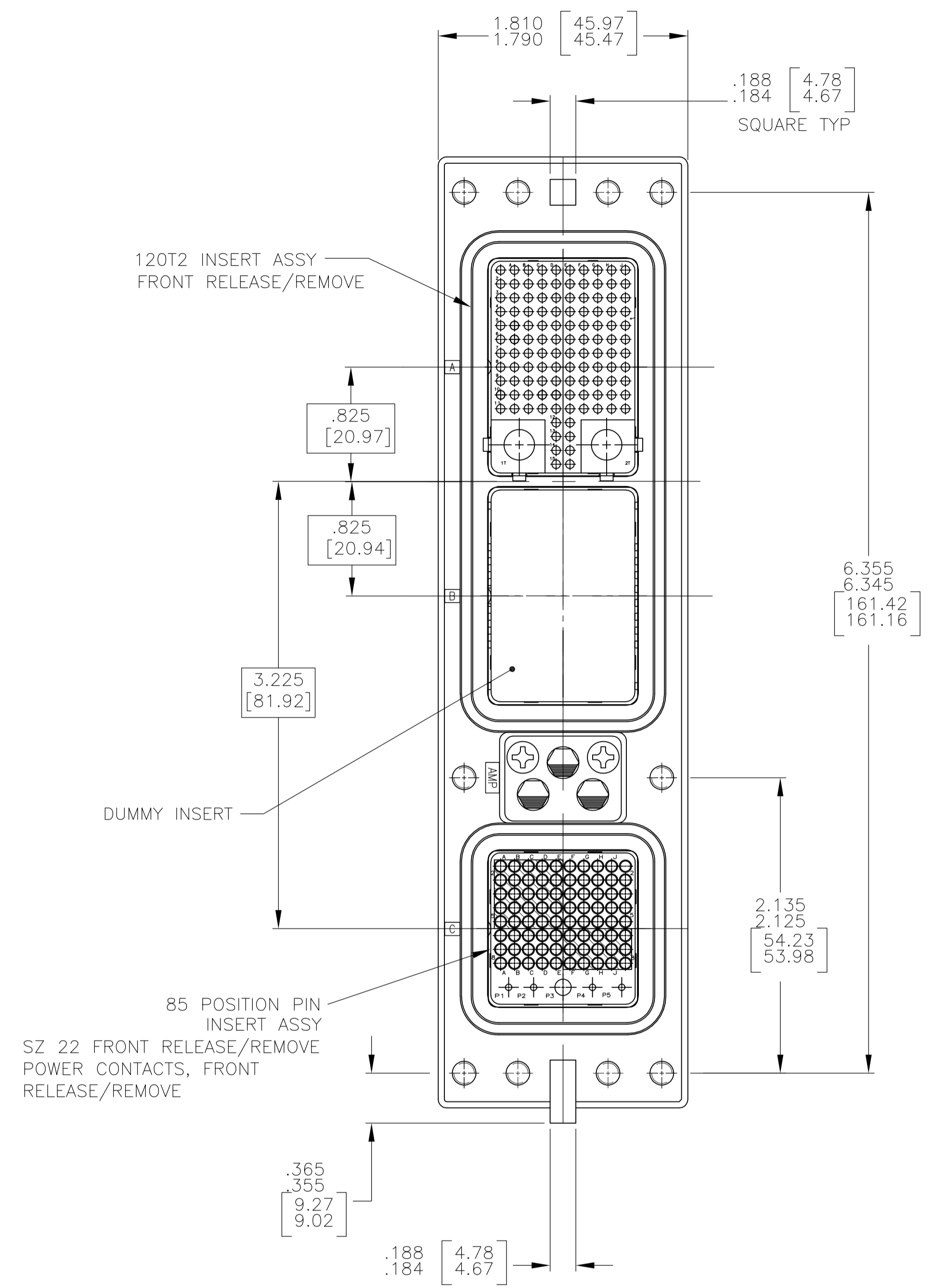


| REVOLUTIONS | | DATE | DWN | APVD |
|-------------|-------------|-----------|---------|-------|
| LOC | DIST | | | |
| B | REV PER ECO | 10-021426 | 09NOV10 | PY KT |

- CONNECTOR DIMENSIONS ARE PER ARINC 600 SPECIFICATION.
- CONNECTOR IS SUPPLIED WITH CONTACTS AS LISTED IN TABLE.
- KEYING SHOWN IN POSITION "01" FOR ILLUSTRATION ONLY. CONNECTORS SHIPPED WITH KEYING INSTALLED IN POSITION PER TABLE. FOR POSITION "00" KEYING HARDWARE SHIPPED UNASSEMBLED.



| COMPONENT | MATERIAL | FINISH |
|--------------------------------|--|------------------------------------|
| SHELL | DIE CAST ALUMINUM PER ASTM-B-85 | ELECTROLESS NICKEL PER MIL-C-26074 |
| INSERT RETENTION PLATES | ALUMINUM ALLOY PER ASTM-B-209 | ELECTROLESS NICKEL PER MIL-C-26074 |
| FLAT HEAD SCREWS | STAINLESS STEEL | PASSIVATED |
| POLARIZING KEYS | ZINC ALLOY PER ASTM-B-86 | - |
| 120T2 & 85 INSERTS | THERMOSET OR THERMOPLASTIC PPS PER MIL-M-24519 | - |
| POLARIZING KEY RETAINING PLATE | ALUMINUM ALLOY PER ASTM-B-209 | BLUE ANODIZED PER MIL-A-8625 |
| DUMMY INSERT | ALUMINUM ALLOY PER ASTM-B-85 | ELECTROLESS NICKEL PER MIL-C-26074 |

| | | |
|--|---|-------------|
| 130 | MODULE A 211431-2 (SIZE 22 POSTED; QTY=118) MODULE B (NONE) MODULE C 211431-2 (SIZE 22 POSTED; QTY=80) 1-448138-5 (SIZE 20 POSTED; QTY=4) 2-448139-1 (SIZE 16 POSTED; QTY=1) | 2101650-1 |
| KEYING POSITION | CONTACTS INCLUDED AND INSTALLED | PART NUMBER |
| THIS DRAWING IS A CONTROLLED DOCUMENT. DWN: C.C.THOMAS 11-5-09 CJK: K. THACKSTON 11-5-09 APVD: K. THACKSTON 11-5-09 Tyco Electronics Corporation Harrisburg, PA 17105-3608 RCPT ASSY, SIZE 2, ARINC 600 (120T2/DUMMY/85) DIMENSIONS: INCHES TOLERANCES UNLESS OTHERWISE SPECIFIED: 0 PLC ± - 1 PLC ± - 2 PLC ± - 3 PLC ± - 4 PLC ± - ANGLES ± - MATERIAL: SEE TABLE FINISH: SEE TABLE WEIGHT: - CUSTOMER DRAWING SCALE: 3:2 SHEET 1 OF 1 REV B | | |