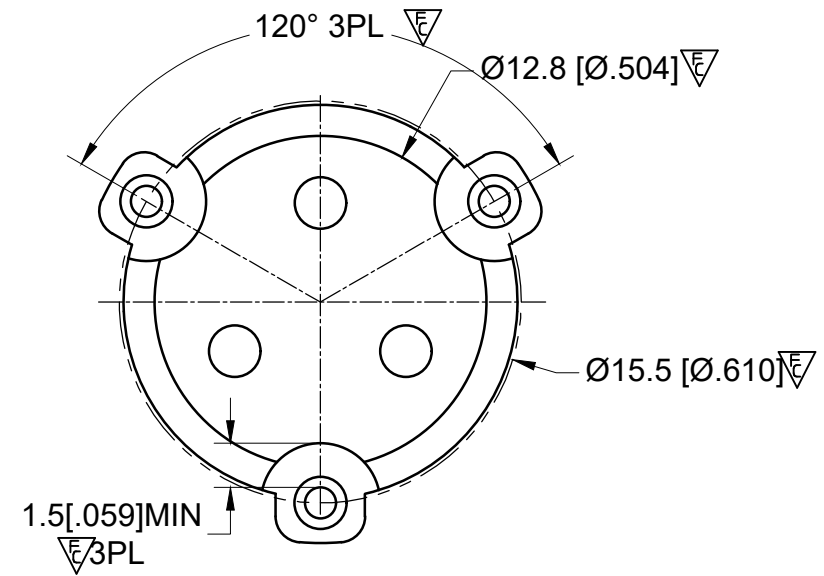
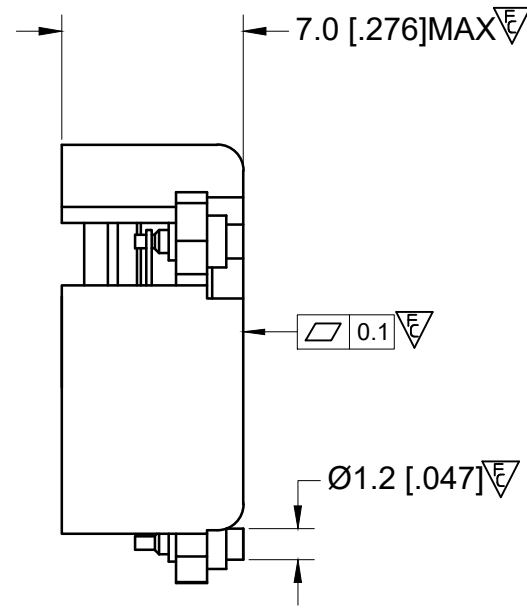
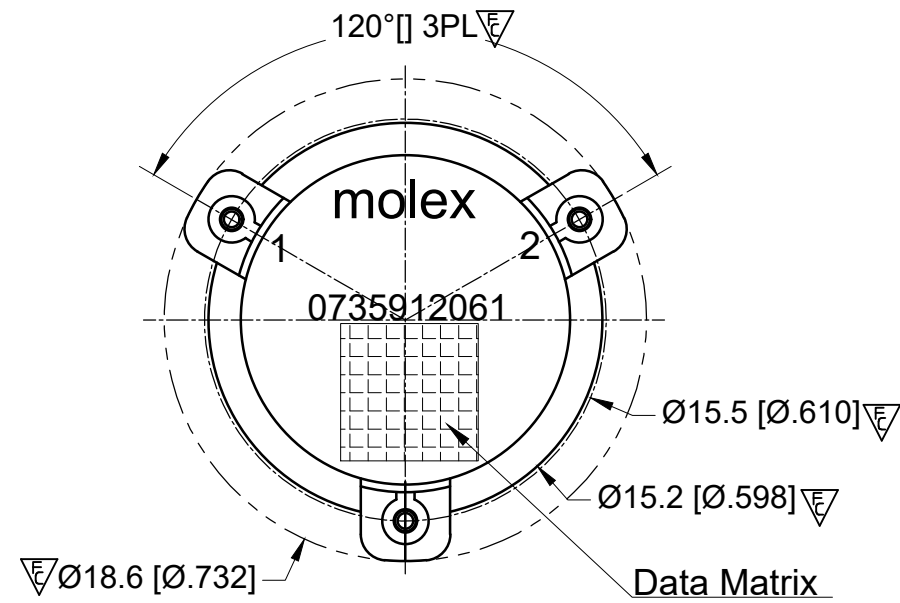
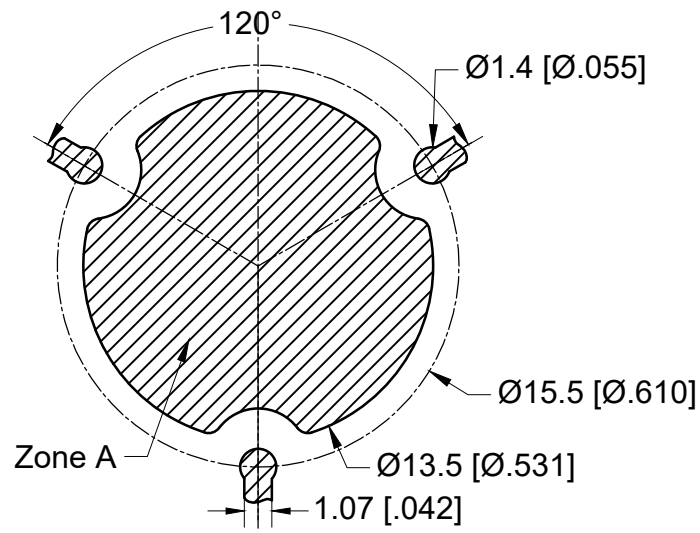
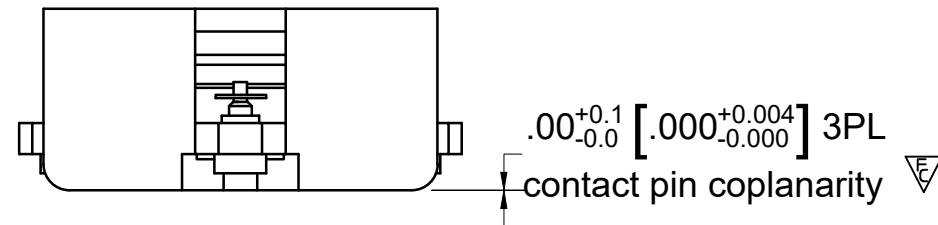


RECOMMENDED LAND PATTERN :

Zone A must be attached to heat sink. Thermal conductivity of intermediate layers between Zone A and heat sink must be better than 0.1 W / [°C x mm].



PCB Material :Rogers RO4350B,0.508mm thickness
trace width 1.07mm wide.



ELECTRICAL SPECIFICATIONS :

- Frequency Range : 3400~3600 MHz
- Isolation : 20 dB min.
- Return Loss : 23 dB min.
- Insertion Loss : 0.25dB max.
- Attenuation (2 x TX) : 20 dB min
- (3 x TX) : 7 dB min
- (N x TX) : 5 dB min

Average FE/REV Power :100 W(CW) max

Peak Power :1000 W max

IM3(50W x 2 tones, 5M) : -65 dBc max

Harmonics (2 x TX @ 100W CW) : 60 dBc min

(3 x TX @ 100W CW) : 60 dBc min

Operating temperature range : -40 to +115°C

Storage temperature range : -40 to +125°C

Direction : CW

MATERIAL :

BODY : STEEL, SILVER PLATED

PIN : COPPER , SILVER PLATED

NOTES :

- STANDARD INPUT/OUTPUT IMPEDANCE 50 Ohm
- LEAD FREE, NO Nd MATERIAL, BeO FREE
- THE DIMENSION OF DATA MATRIX IS 5.3X5.3MM INFORMATION INCLUDING WORK ORDER NUMBER-SERIAL NUMBER-MATERIAL NUMBER
- THIS PART COMPLIES WITH ALL RoHS REQUIREMENTS

ENG PART#: 802-340-360-WP040

FUNCTIONAL SYMBOLS	THIS DRAWING CONTAINS INFORMATION THAT IS PROPRIETARY TO MOLEX ELECTRONIC TECHNOLOGIES, LLC AND SHOULD NOT BE USED WITHOUT WRITTEN PERMISSION										
	DIMENSION UNITS		SCALE		CURRENT REV DESC:						
$\nabla_A=0$ $\nabla_E=0$ $\nabla_P=0$	MM		1:1		RELEASE TO PROD						
	GENERAL TOLERANCES (UNLESS SPECIFIED)										
DIVISIONAL SYMBOLS	mm		INCH		EC NO:		DRWN:		2022/02/21		
	4 PLACES	±0.025	±----	±----	SREN05		2022/02/23		SMSJ CIRCULATOR/3400~3600MHZ/CW		
	3 PLACES	±0.05	±----	±----	JLI252		2022/03/01		RESTRICTED PRODUCT CUSTOMER DRAWING		
	2 PLACES	±0.13	±----	±----	APPR: HWANG186		2022/03/01		DOCUMENT NUMBER		
	1 PLACE	±0.25	±----	±----	INITIAL REVISION:		2021/11/12		DOC TYPE DOC PART REVISION		
0 PLACES	±0.4	±----	±----	DRWN: SREN05		2022/03/01		735912061		PSD 000	A
ANGULAR TOL ± 1.5 °				APPR: HWANG186		2022/03/01		MATERIAL NUMBER		CUSTOMER	SHEET NUMBER
DRAFT WHERE APPLICABLE MUST REMAIN WITHIN DIMENSIONS				THIRD ANGLE PROJECTION		DRAWING		SERIES		0735912061	1 OF 1
						A3-SIZE		73591		CUSTOM PART	