

THIS DRAWING IS UNPUBLISHED.

RELEASED FOR PUBLICATION

ALL RIGHTS RESERVED.

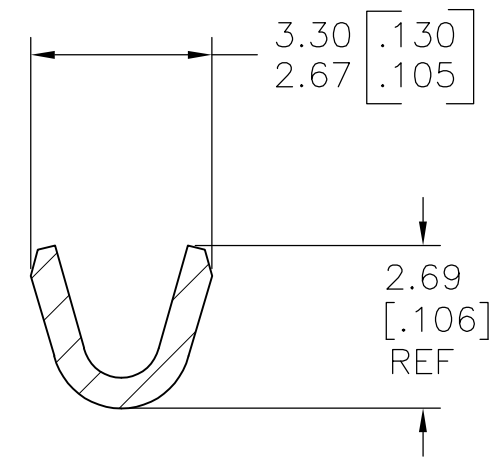
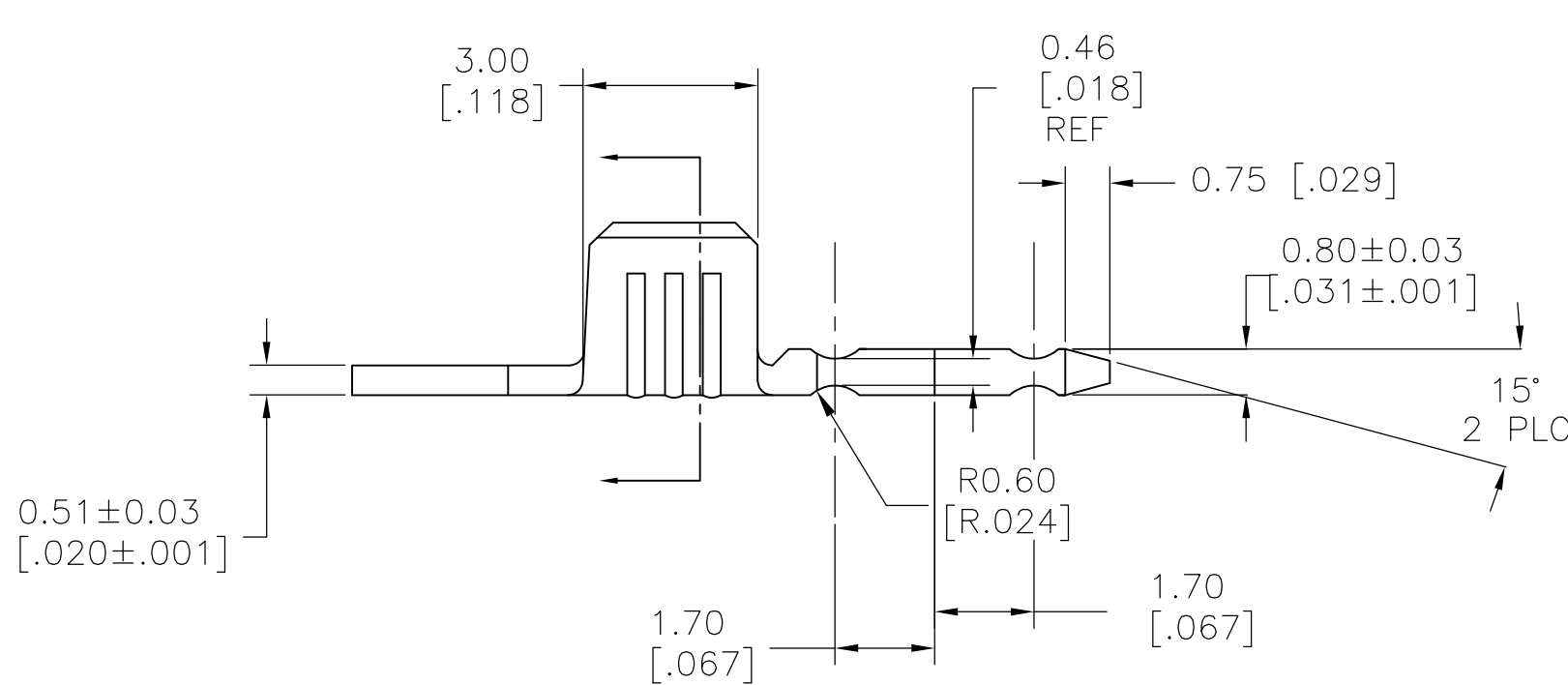
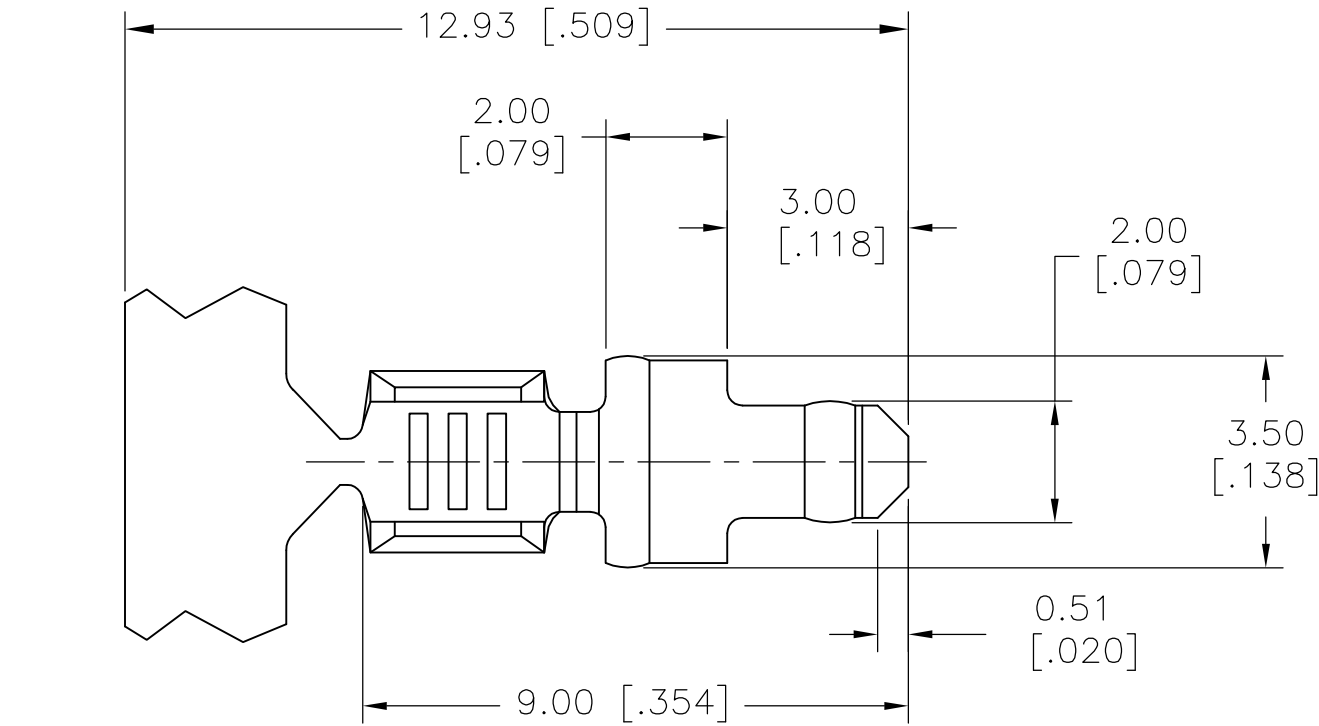
© COPYRIGHT - By -

LOC AF DIST 50

REVISIONS

P	LTR	DESCRIPTION	DATE	DWN	APVD
B		REVISED PER ECR-13-011489	11DEC2013	KH	PD

- 1 CONTINUOUS STRIP ON REELS.
- 2 WIRE SIZE #22-#18 AWG
CRIMP HEIGHT: #22 - 1.40 [.055]
#20 - 1.45 [.057]
#18 - 1.55 [.061]



1742753-1
PART NO

THIS DRAWING IS A CONTROLLED DOCUMENT.		DWN jr_ruth 10NOV08	STE TE Connectivity		
DIMENSIONS: mm [INCHES]		CHK KURT RANDOLPH 10NOV08			
TOLERANCES UNLESS OTHERWISE SPECIFIED:		APVD KURT RANDOLPH 10NOV08	NAME		
0 PLC ± -		PRODUCT SPEC	TAB, FASTON, 2mm [.079]		
1 PLC ± -		APPLICATION SPEC	SIZE	CAGE CODE	DRAWING NO
2 PLC ± 0.10 [.004]		114-2036	A3	00779	C-1742753
3 PLC ± -		WEIGHT -	RESTRICTED TO -		
4 PLC ± -		CUSTOMER DRAWING	SCALE 8:1	SHEET 1 OF 1	REV B
ANGLES ± 5°					
MATERIAL BRASS	FINISH TIN PLATE				