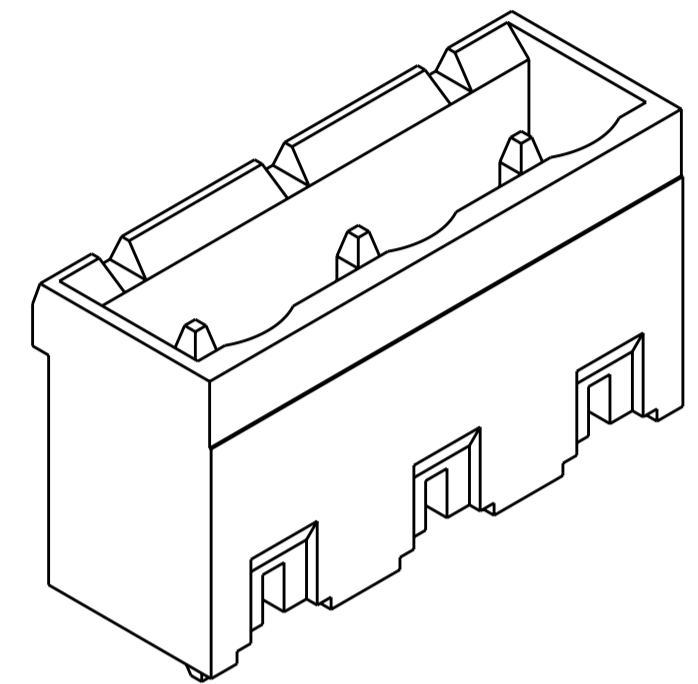
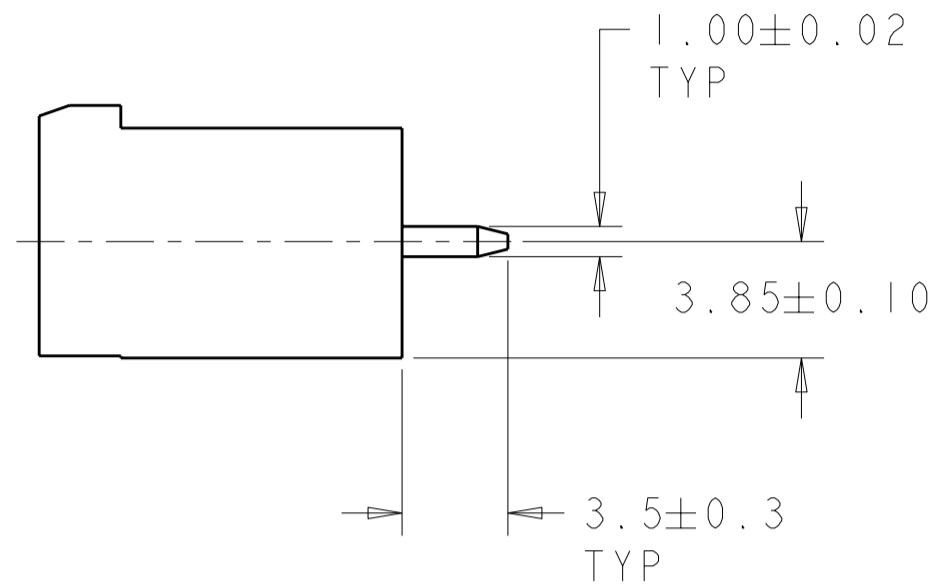
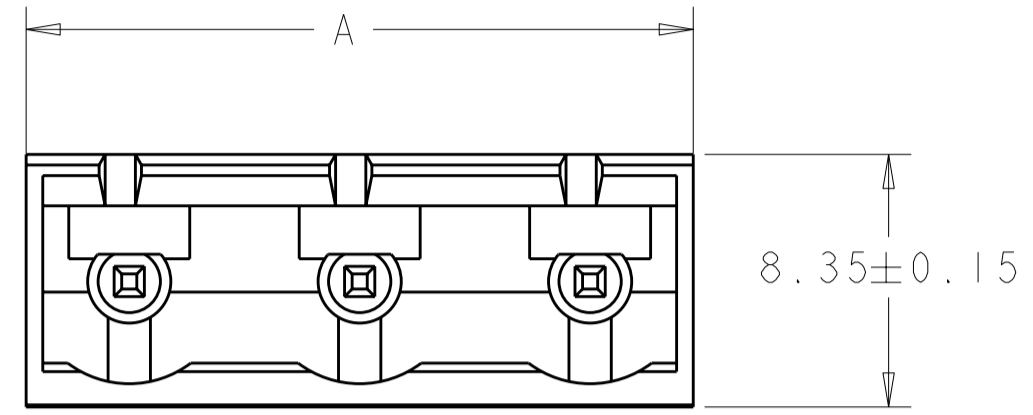
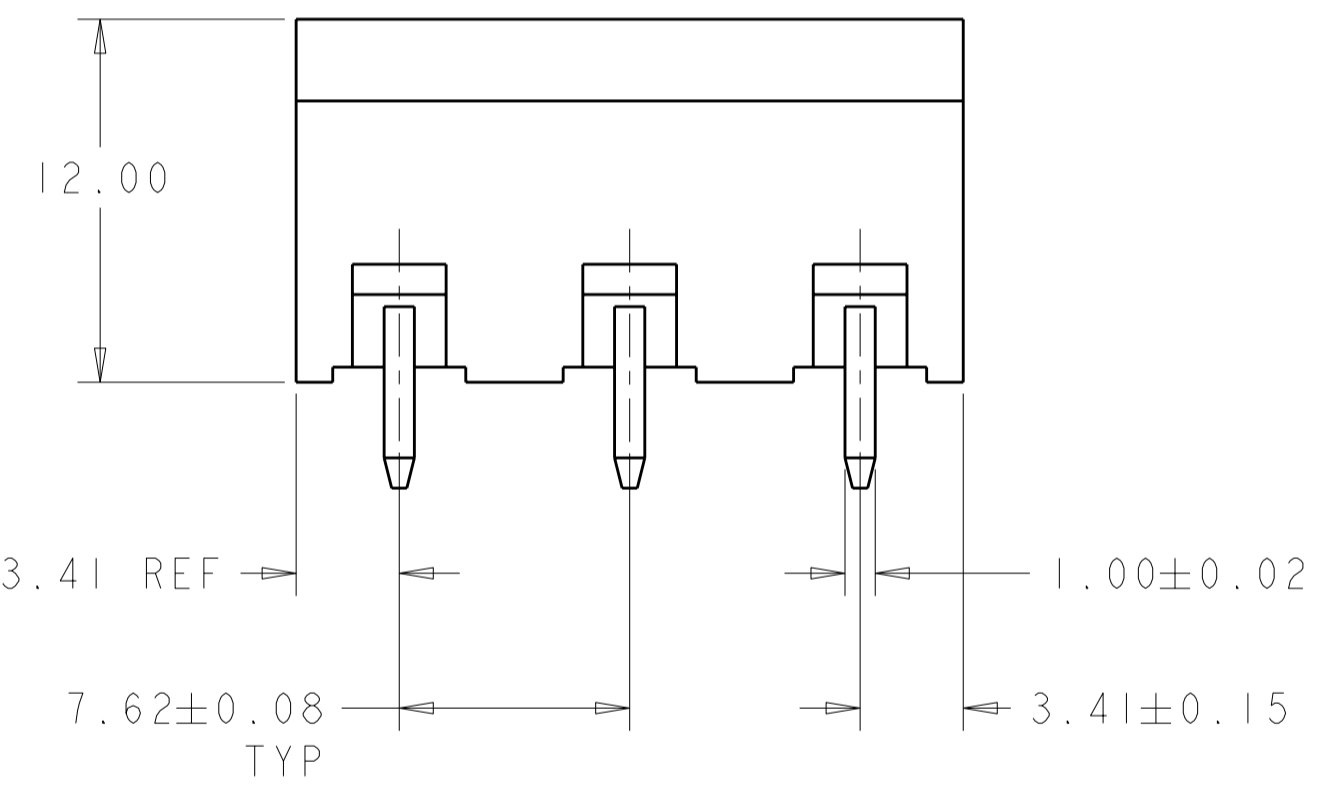


THIS DRAWING IS UNPUBLISHED. RELEASED FOR PUBLICATION 20
 © COPYRIGHT 20 Tyco Electronics AMP GmbH ALL RIGHTS RESERVED.

LOC	DIST	REVISIONS			
P	LTR	DESCRIPTION	DATE	DWN	APVD
FT	0	01 REVISED PER ECO-12-007711	26APR2012	KH	MS

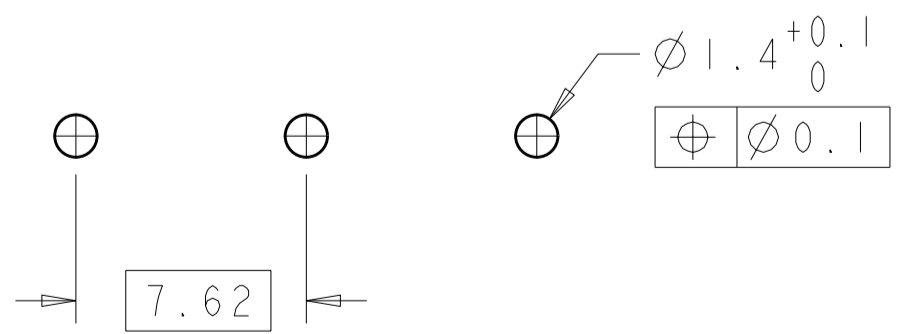


1776154-3 AS SHOWN



- ⚠ MATERIALS AND FINISH:
 HOUSING: HIGH TEMPERATURE POLYAMIDE, UL 94-V0,
 COLOR: BLACK.
 TERMINAL: COPPER ALLOY, TIN PLATED.
- SUITABLE FOR 1,6-2, 4mm PC BOARD THICKNESS.
 - RECOGNIZED UNDER THE COMPONENT PROGRAM OF UNDERWRITERS LABORATORIES INC. FILE N° E60677.
 - IMQ CERTIFICATE WITH SURVEILLANCE IN CONFORMITY WITH IEC 998-1/998-2-1.)

90.64	12	I-1776154-2
83.02	11	I-1776154-1
75.40	10	I-1776154-0
67.78	9	1776154-9
60.16	8	1776154-8
52.54	7	1776154-7
44.92	6	1776154-6
37.30	5	1776154-5
29.68	4	1776154-4
22.06	3	1776154-3
14.44	2	1776154-2
A	NO OF POSN	PART NUMBER



RECOMMENDED PC BOARD LAYOUT

THIS DRAWING IS A CONTROLLED DOCUMENT.

DIMENSIONS:	TOLERANCES UNLESS OTHERWISE SPECIFIED:	DWN S. WELDON 01 JUL 2005	TE Connectivity
mm	0 PLC ±	CHK C. RICHARD 01 JUL 2005	
	1 PLC ±0.2	APVD C. RICHARD 01 JUL 2005	
	2 PLC ±	PRODUCT SPEC	
	3 PLC ±	APPLICATION SPEC	NAME
	4 PLC ±	WEIGHT	TERMINAL BLOCK, HEADER ASSEMBLY
MATERIAL	FINISH	CUSTOMER DRAWING	180 DEGREES, CLOSED ENDS
		SCALE 4:1	7.62mm, PITCH
		SHEET 1 OF 1	RESTRICTED TO
		REV 01	