

# CAA573X7R1V157M670LH

TDK item description : CAA573X7R1V157MT\*\*\*

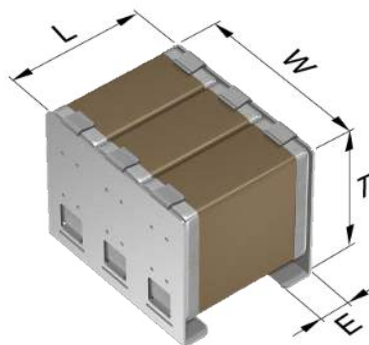


## Application & Main Feature

Commercial grade (MEGACAP (Low resistance/Inline))

## Series

CAA573(5750) [EIA 2220]



## Dimensions

L 6.25±0.50 mm  
W 7.50±0.50 mm  
T 6.70±0.50 mm  
E 1.20±0.20 mm

## Temperature Characteristic

X7R (-55 to +125 degC, ±15%)

## Rated Voltage

1V (35Vdc)

## Capacitance

150µF

## Capacitance Tolerance

M (±20%)

## DF

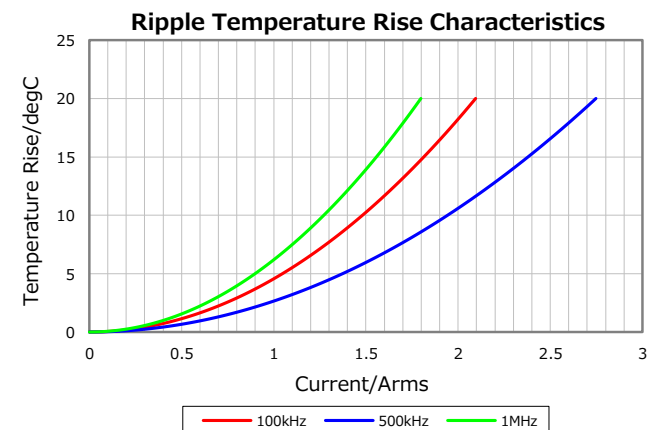
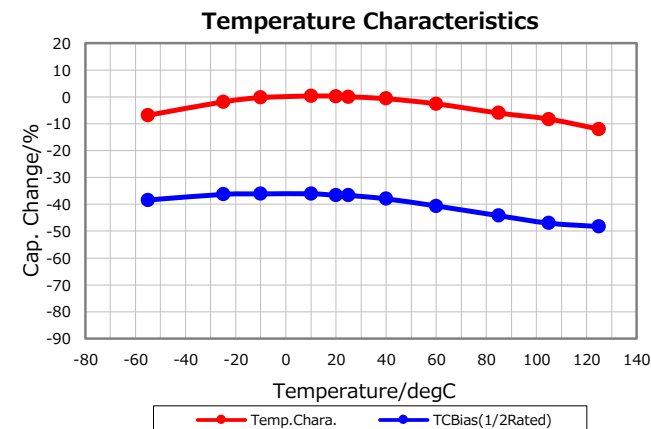
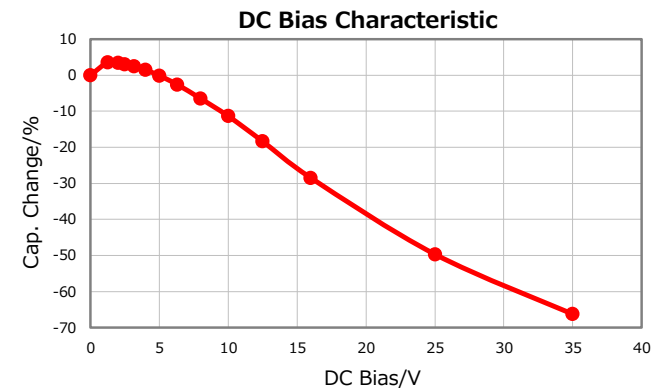
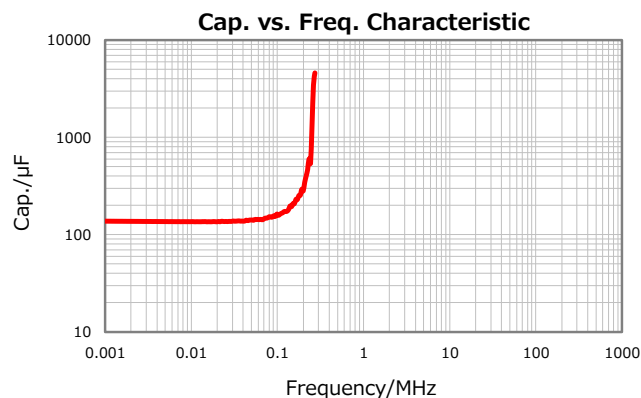
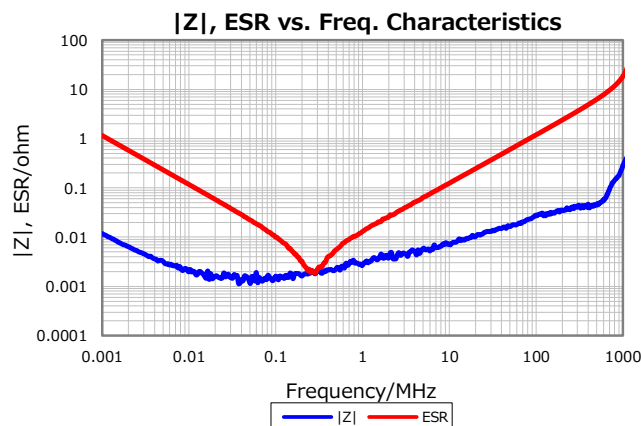
5 % max.

## Insulation Resistance

3 Mohm min.

## AEC-Q200

Not Applicable



Characterization Sheet ( Multilayer Ceramic Chip Capacitors )



⚠ All specifications are subject to change without notice.