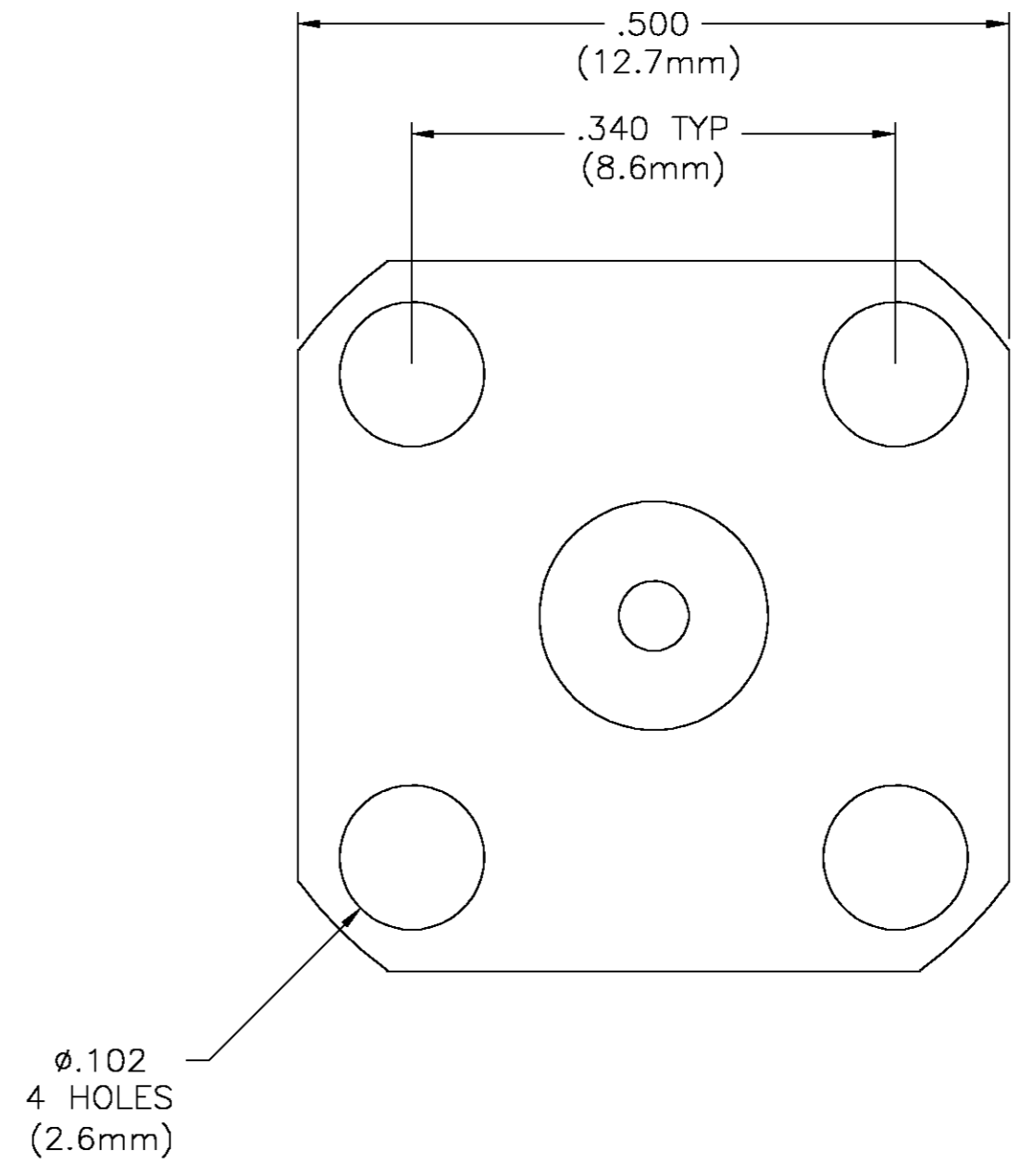
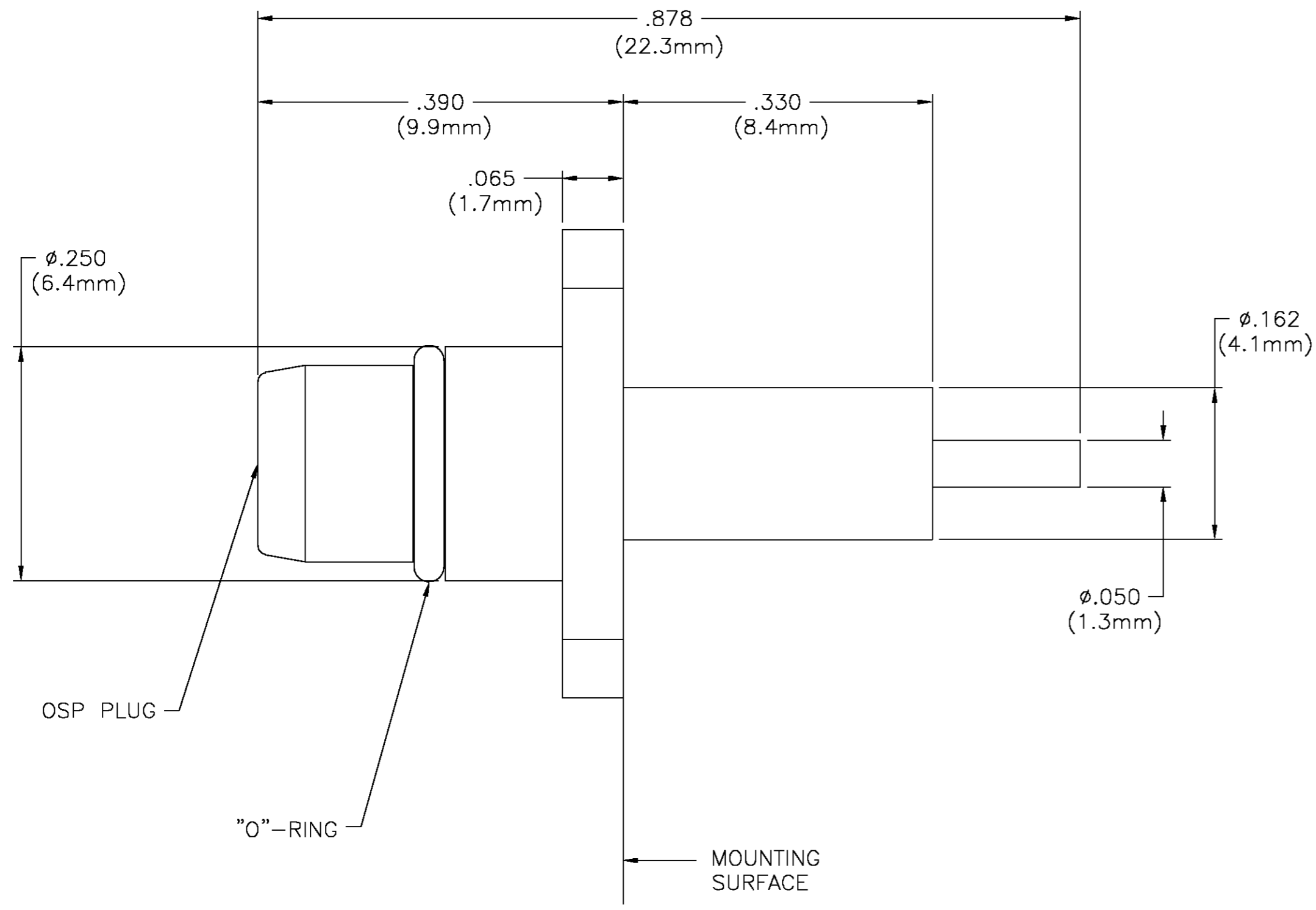


THIS DRAWING IS UNPUBLISHED. RELEASED FOR PUBLICATION
 © COPYRIGHT BY TYCO ELECTRONICS CORPORATION. ALL RIGHTS RESERVED.

LOC		DIST		REVISIONS			
HC	00	P	LTR	DESCRIPTION	DATE	DWN	APVD
		B		REV PER 0U20-0262-01	28FEB03	GV	JGH



NOTE:
 1. CAPTURED CENTER CONTACT

HOUSING	STAINLESS STEEL PER ASTM-A484 AND ASTM-A582, TYPE 303	GOLD PLATE PER MIL-G-45204 OVER NICKEL PLATE PER QQ-N-290
DIELECTRIC	TFE FLUOROCARBON PER MIL-P-19468 AND FED SPEC L-P-403	N/A
CENTER CONTACT	BERYLLIUM COPPER PER QQ-C-530 ALLOY 173	GOLD PLATE PER MIL-G-45204 OVER COPPER PLATE PER MIL-C-14550
O-RING	FLOUROSILICONE PER MIL-R-25988, CLASS I, TYPE I.	N/A
COMPONENT	MATERIAL	FINISH

THIS DRAWING IS A CONTROLLED DOCUMENT.		DWN G. VIERA 27FEB2003	Tyco Electronics Corporation Harrisburg, PA 17105-3608	
DIMENSIONS: INCHES		CHK J. HAVENER 28FEB03	NAME OSP 4 HOLE FLANGE MOUNT PLUG RECEPT. STRAIGHT TERMINAL (4551-1201-00)	
TOLERANCES UNLESS OTHERWISE SPECIFIED:		APVD J. HAVENER 28FEB03	SIZE A2	CAGE CODE 00779
0 PLC ±	1 PLC ±	PRODUCT SPEC	DRAWING NO C=1310898-1	RESTRICTED TO
2 PLC ±	3 PLC ± .005	APPLICATION SPEC	SCALE 8:1	SHEET 1 OF 1
4 PLC ±	ANGLES ± 1°	WEIGHT	REV B	
MATERIAL	FINISH 63	CUSTOMER DRAWING		

1310898-1