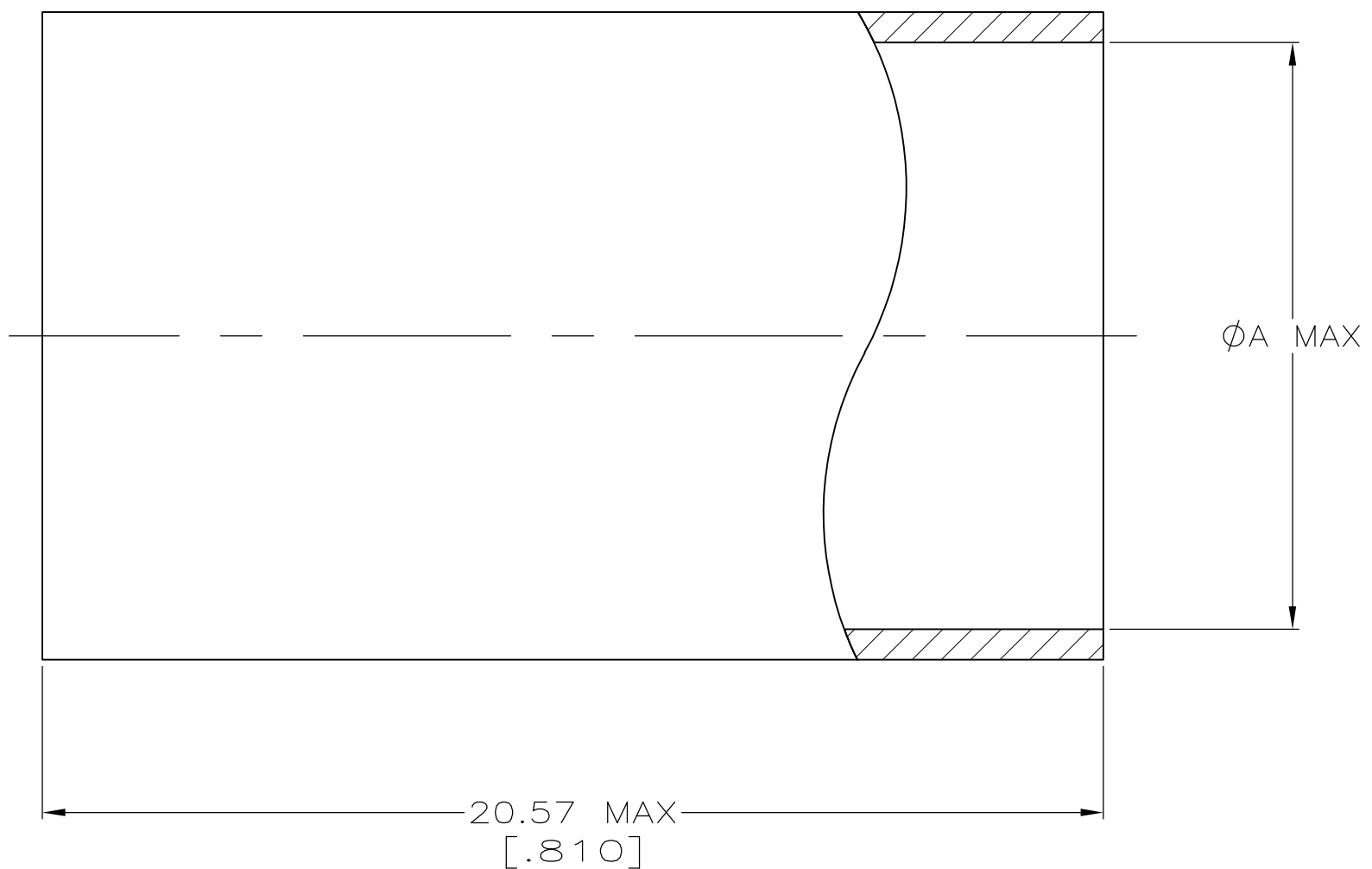


THIS DRAWING IS UNPUBLISHED. RELEASED FOR PUBLICATION  
 © COPYRIGHT BY TYCO ELECTRONICS CORPORATION. ALL RIGHTS RESERVED.

LOC	DIST	REVISIONS					
AJ	16	P	LTR	DESCRIPTION	DATE	DWN	APVD
			AC	REVISED PER ECO-10-008441	17JUN10	HMR	KW



- 1. COPPER ALLOY
- ② NICKEL PLATE PER QQ-N-290, 2.54µm (.0000100) MIN THICKNESS.
- ③ SILVER PLATE PER QQ-S-365, 5.08µm (.0000200) MIN THICKNESS.
- ④ TIN-LEAD PLATE PER ASTM-B-545, 2.54µm (.000100) MIN THICKNESS, WITH SUPPLEMENTAL ANTI FRETTING LUBRICANT.
- ⑤ MATTE TIN PLATE PER ASTM-B-545, 2.54µm (.000100) MIN THICKNESS, WITH SUPPLEMENTAL ANTI FRETTING LUBRICANT.

	⑤	8.51 [.334]	9-51713-3
	⑤	8.99 [.354]	9-51713-1
	⑤	11.28 [.444]	9-51713-0
	④	11.28 [.444]	1-51713-3
	④	8.51 [.334]	1-51713-2
	④	8.99 [.354]	1-51713-1
OBSOLETE	②	8.89 [.350]	1-51713-0
	④	11.28 [.444]	51713-9
	④	8.89 [.350]	51713-8
OBSOLETE	④	8.51 [.334]	51713-6
	③	8.99 [.354]	51713-4
	③	11.28 [.444]	51713-2
	FINISH	A	PART NUMBER

THIS DRAWING IS A CONTROLLED DOCUMENT.		DWN 10NOV95 MICHAEL E. COWHER	Tyco Electronics Corporation Harrisburg, Pa 17105-3608	
DIMENSIONS: mm [INCHES]		CHK 10NOV95 FRANK MORANA	NAME	
TOLERANCES UNLESS OTHERWISE SPECIFIED:		APVD 10NOV95 FRANK MORANA	FERRULE	
0 PLC ± - 1 PLC ± - 2 PLC ± - 3 PLC ± - 4 PLC ± - ANGLES ± -		PRODUCT SPEC	SIZE	CAGE CODE
MATERIAL SEE NOTES		APPLICATION SPEC	—	00779
FINISH SEE TABLE		WEIGHT	—	51713
		CUSTOMER DRAWING	SCALE 8:1	SHEET 1 OF 1
			RESTRICTED TO	REV AC