

CFX20M1108PZN ✓ ACTIVE

DEUTSCH | DEUTSCH CeeLok FAS-X Connector

TE Internal #: YCFX20M1108PZN0000

Standard Circular Connectors, Cable-to-Cable, 8 Position, Wire & Cable, Signal, Cable Mount (Free-Hanging), Nickel, DEUTSCH CeeLok FAS-X Connector

[View on TE.com >](#)



Connectors > Circular Connectors > Standard Circular Connectors



Connector System: **Cable-to-Cable**

Number of Positions: **8**

Connector & Contact Terminates To: **Wire & Cable**

Contact Current Rating (Max): **5 A**

Circuit Application: **Signal**

Features

Product Type Features

Product Type	Connector Kit
Connector System	Cable-to-Cable
Connector & Contact Terminates To	Wire & Cable
Circular Connector Type	Receptacle
Shell Type	Metal

Configuration Features

Factory Installed Backshell	With
Keying	N
Number of Positions	8
Number of Power Positions	0
Number of Signal Positions	8

Body Features

Environmental Protection Type	Elastomer Sealed
O-Ring Material	Fluorosilicone
Shield Rating	100 - 10000 MHz per MIL-DTL-38999
Shell Plating Material	Nickel
Shell Base Material	Composite
Hermetically Sealed	No



Contact Features

Contact Quantity (Size 22D)	8
Contact Current Rating (Max)	5 A
Contact Layout Arrangement	11 – 8
Circular Connector Contact Type	Pin

Mechanical Attachment

Connector Mounting Type	Cable Mount (Free-Hanging)
Polarization Code	N
Mating Alignment Type	Keyed
Mating Retention	With

Housing Features

Circular Connector Shell Size	11
-------------------------------	----

Dimensions

Wire Size	.08 – .34 mm ²
-----------	---------------------------

Usage Conditions

Operating Temperature Range	-65 – 200 °C[-85 – 392 °F]
-----------------------------	----------------------------

Operation/Application

Circuit Application	Signal
Shielded	Yes

Product Compliance

[For compliance documentation, visit the product page on TE.com>](#)

EU RoHS Directive 2011/65/EU	Compliant with Exemptions
EU ELV Directive 2000/53/EC	Compliant with Exemptions
China RoHS 2 Directive MIIT Order No 32, 2016	Restricted Materials Above Threshold
EU REACH Regulation (EC) No. 1907/2006	Current ECHA Candidate List: JUNE 2023 (235) Candidate List Declared Against: JUNE 2022 (224) SVHC > Threshold: Pb (1.2% in Contact Lead-Copper Alloy) Decamethylcyclopentasiloxane (D5) (5% in Insert Assembly)

Article Safe Usage Statements:

Do not eat, drink or smoke when using this product. Wash thoroughly after handling. Recycle if possible and dispose of the article by following all applicable governmental regulations relevant to your geographic location.

Halogen Content

Not Yet Reviewed for halogen content

Solder Process Capability

Not reviewed for solder process capability

Product Compliance Disclaimer

This information is provided based on reasonable inquiry of our suppliers and represents our current actual knowledge based on the information they provided. This information is subject to change. The part numbers that TE has identified as EU RoHS compliant have a maximum concentration of 0.1% by weight in homogenous materials for lead, hexavalent chromium, mercury, PBB, PBDE, DBP, BBP, DEHP, DIBP, and 0.01% for cadmium, or qualify for an exemption to these limits as defined in the Annexes of Directive 2011/65/EU (RoHS2). Finished electrical and electronic equipment products will be CE marked as required by Directive 2011/65/EU. Components may not be CE marked. Additionally, the part numbers that TE has identified as EU ELV compliant have a maximum concentration of 0.1% by weight in homogenous materials for lead, hexavalent chromium, and mercury, and 0.01% for cadmium, or qualify for an exemption to these limits as defined in the Annexes of Directive 2000/53/EC (ELV). Regarding the REACH Regulation, the information TE provides on SVHC in articles for this part number is based on the latest European Chemicals Agency (ECHA) 'Guidance on requirements for substances in articles' posted at this URL: <https://echa.europa.eu/guidance-documents/guidance-on-reach>

Also in the Series | **DEUTSCH CeeLok FAS-X Connector**



Standard Circular Connectors(244)

Customers Also Bought



TE Part #206070-8
CABLE CLAMP KIT #17



TE Part #DT06-2S
PLG, 2P, GRY, N



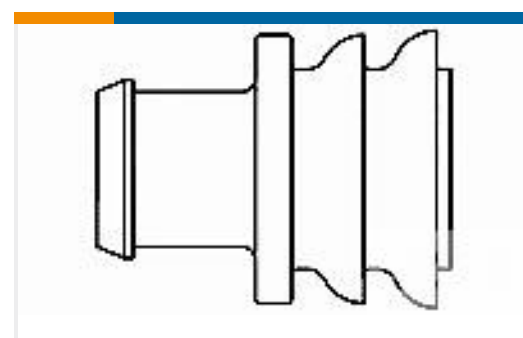
TE Part #W2S
WedgeLocks: DEUTSCH DT



TE Part #0462-201-16141
DEUTSCH Solid Contacts



TE Part #282104-1
AMP SUPERSEAL 1.5MM,
CONNECTOR HOUSING



TE Part #281934-2
SINGLE WIRE SEAL



TE Part #DT04-2P
REC, 2P, GRY, N

Documents

CFX20M1108PZN

Standard Circular Connectors, Cable-to-Cable, 8 Position, Wire & Cable, Signal,
Cable Mount (Free-Hanging), Nickel, DEUTSCH CeeLok FAS-X Connector



[Datasheets & Catalog Pages](#)

[CeeLok FAS-X Connectors](#)

English