

HC-B16-I-PT-CI-M - Contact insert



1350015

<https://www.phoenixcontact.com/us/products/1350015>

Please be informed that the data shown in this PDF document is generated from our online catalog. Please find the complete data in the user documentation. Our general terms of use for downloads are valid.



Contact insert, number of positions: 16+2+PE, size: B16, number of connections per position: 1, Pin, Push-in connection, 500 V, 16 A, 0.14 mm² ... 2.5 mm², application: Power, tool-free Click-in mounting

Your advantages

- Significant time savings and improved handling: Consistent and easy tool-free installation and mounting with Push-in connection technology and innovative Click-in latching
- Tool-free installation and mounting of the PE connection with Push-in connection technology
- Shortest installation time compared to other connection technologies
- Quick and effortless wiring, in particular when space is tight
- Secure installation: Audible and tangible latching of the contact inserts in the connector housing
- Reliable connection: The Click-in contact insert latches into the housing creating a shock- and vibration-resistant connection in accordance with DIN EN 61373
- Easy integration: Click-in contact inserts fit in all plastic and metal housings of the HEAVYCON STANDARD and EVO series
- Automatic cabling with robots possible
- Safe wiring and operation with color-coded actuators
- Cost-effective and fast coding with plastic profiles
- Test connection for 2 mm test plug

Commercial data

Item number	1350015
Packing unit	1 pc
Minimum order quantity	1 pc
Sales key	BF61
Product key	BF7ABC
GTIN	4063151667757
Weight per piece (including packing)	80.1 g
Weight per piece (excluding packing)	70.2 g
Customs tariff number	85366990
Country of origin	CN

HC-B16-I-PT-CI-M - Contact insert



1350015

<https://www.phoenixcontact.com/us/products/1350015>

Technical data

Notes

General	only use flexible conductors with ferrules
General	Connectors may be operated only when there is no load/voltage.

Mounting

Mounting type	tool-free snap-in
Assembly instructions	To ensure correct use, installation in housing with IP54 protection or better is required tool-free snap-in into all plastic and metal housings of the HEAVYCON STANDARD and EVO series, and into metal housings of the HEAVYCON ADVANCED series
Connection method	Push-in connection

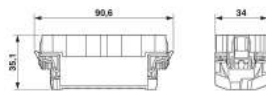
Product properties

Type	B16
Product type	Contact insert with a fixed no. of positions
Number of positions	16
Connection profile	16+2+PE
Contact numbering	1 - 16
Application	Power
Number of connections per position	1
Contact material type	rolled
Series	HC-B

Insulation characteristics

Overvoltage category	III
Degree of pollution	3

Dimensions

Dimensional drawing	
Width	34 mm
Height	34.4 mm
Length	84 mm
Drill hole distance, horizontal	77.5 mm
Drill hole distance, vertical	27 mm

Mechanical characteristics

Contact diameter	2.5 mm
------------------	--------

Connection data

HC-B16-I-PT-CI-M - Contact insert



1350015

<https://www.phoenixcontact.com/us/products/1350015>

Connection technology

Connection technology	Push-in connection
Number of connections per position	1

Conductor connection

Conductor cross section	0.14 mm ² ... 2.5 mm ²
Connection cross section AWG	26 ... 14
Stripping length	8 mm ... 10 mm

Electrical properties

Rated voltage (III/3)	500 V
Rated surge voltage	6 kV
Rated current	16 A (power contacts)

Mechanical properties

Mechanical data

Insertion/withdrawal cycles	≥ 500
-----------------------------	-------

Material specifications

Flammability rating according to UL 94	V0
Contact material	Copper alloy
Contact surface material	Ag/Sn (tarnish protection)
Contact carrier material	PC
Standards/regulations	PC: Fire protection in rail vehicles - requirement sets R22, R23, and R24 acc. to DIN EN 45545-2 (Risk level HL1 - HL3)

Environmental and real-life conditions

Ambient conditions

Ambient temperature (operation)	-40 °C ... 125 °C (including heating up of contacts)
---------------------------------	--

Standards and regulations

Testing

Standards/regulations	PC: Fire protection in rail vehicles - requirement sets R22, R23, and R24 acc. to DIN EN 45545-2 (Risk level HL1 - HL3)
-----------------------	---

HC-B16-I-PT-CI-M - Contact insert

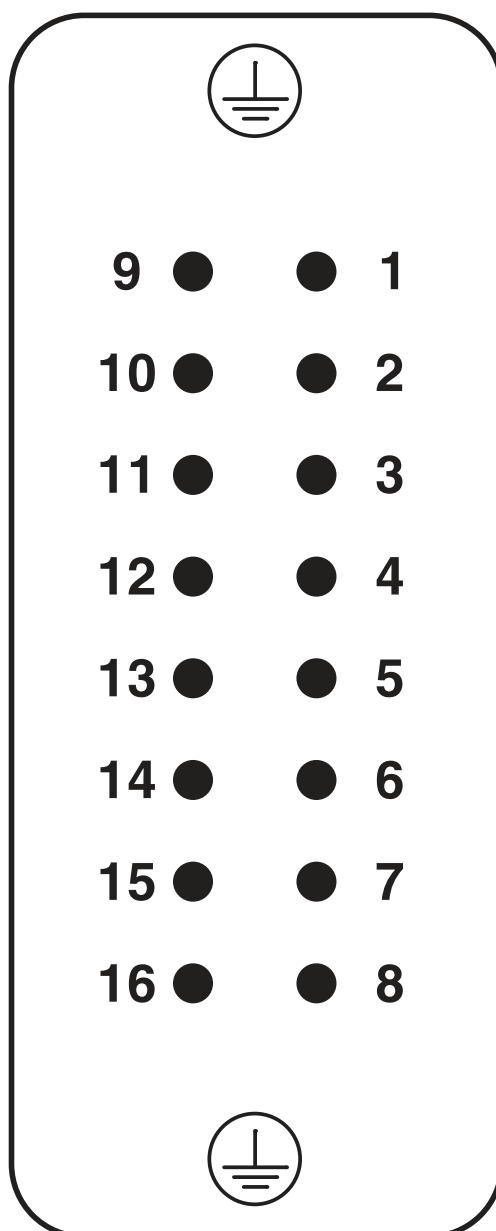
1350015

<https://www.phoenixcontact.com/us/products/1350015>



Drawings

Schematic diagram



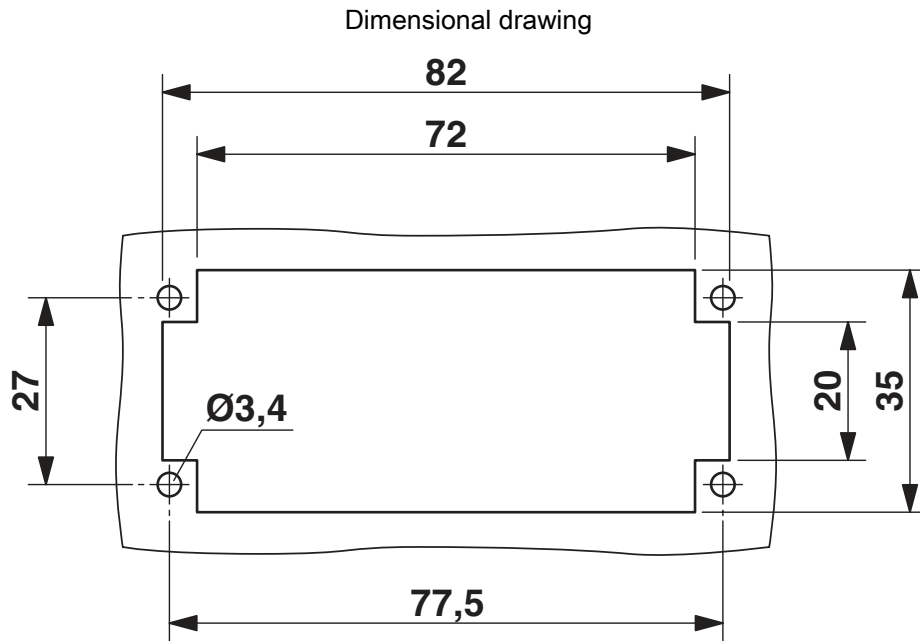
Connector pin assignment, connection side

HC-B16-I-PT-CI-M - Contact insert

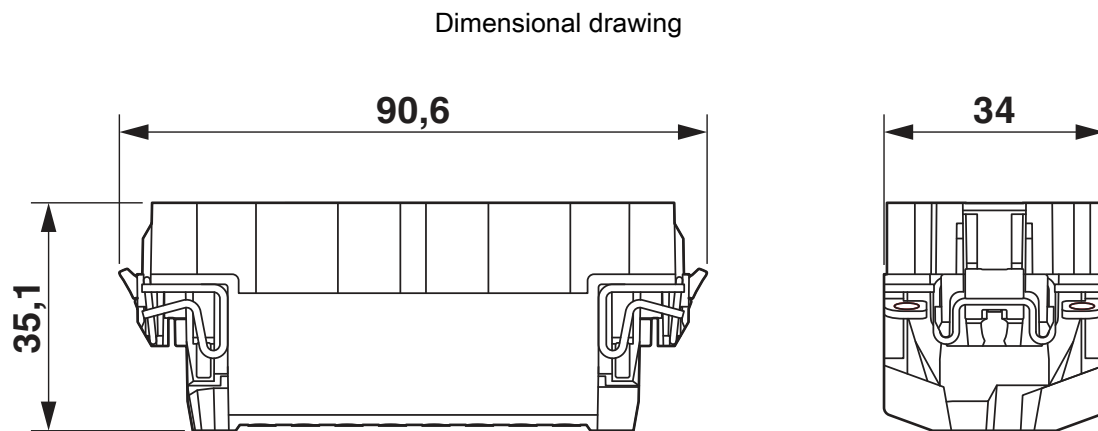


1350015

<https://www.phoenixcontact.com/us/products/1350015>



Mounting cutout when used without housing



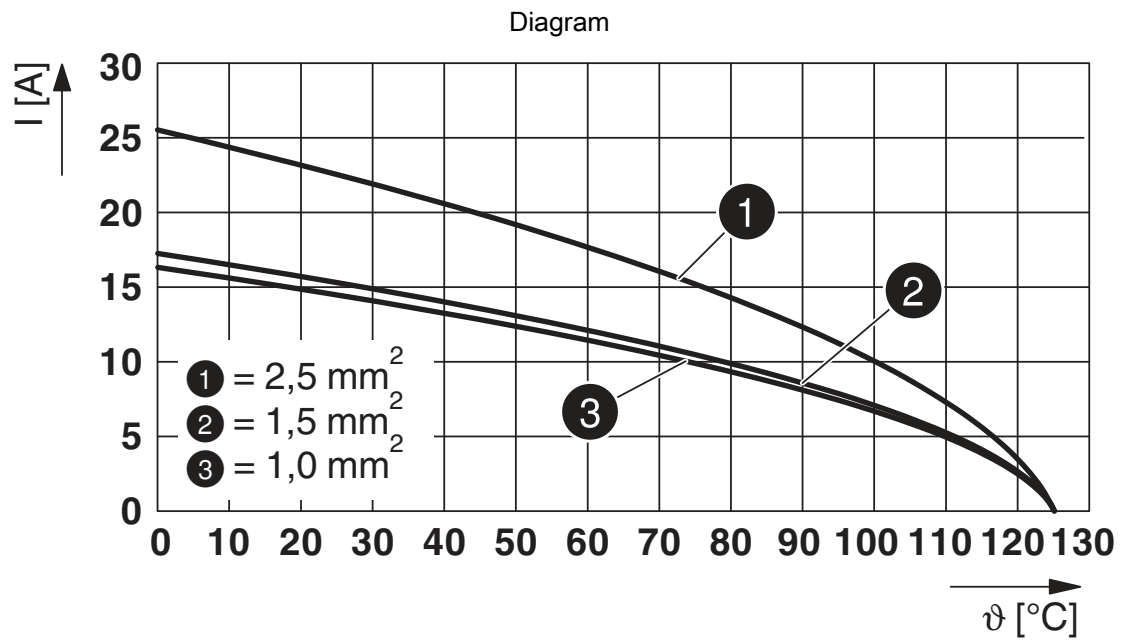
Dimensional drawing

HC-B16-I-PT-CI-M - Contact insert



1350015

<https://www.phoenixcontact.com/us/products/1350015>



Derating diagram

HC-B16-I-PT-CI-M - Contact insert




1350015

<https://www.phoenixcontact.com/us/products/1350015>

Approvals

To download certificates, visit the product detail page: <https://www.phoenixcontact.com/us/products/1350015>

 cULus Recognized Approval ID: E468743	Nominal voltage U_N	Nominal current I_N	Cross section AWG	Cross section mm^2
	600 V	13 A	- 14	-

HC-B16-I-PT-CI-M - Contact insert



1350015

<https://www.phoenixcontact.com/us/products/1350015>

Classifications

ECLASS

ECLASS-11.0	27440205
ECLASS-12.0	27440205
ECLASS-13.0	27440205

ETIM

ETIM 8.0	EC000438
----------	----------

UNSPSC

UNSPSC 21.0	39121500
-------------	----------

HC-B16-I-PT-CI-M - Contact insert



1350015

<https://www.phoenixcontact.com/us/products/1350015>

Environmental product compliance

China RoHS	Environmentally friendly use period: unlimited = EFUP-e
	No hazardous substances above threshold values

HC-B16-I-PT-CI-M - Contact insert

1350015

<https://www.phoenixcontact.com/us/products/1350015>



Accessories

CP-HC - Coding profile

1686478

<https://www.phoenixcontact.com/us/products/1686478>



Coding profile, 4 coding profiles per strip, for insertion in coding keyways

HC-CB - Coding bolt

1772722

<https://www.phoenixcontact.com/us/products/1772722>



Coding pin, prevents mismatching of up to six connectors with an identical number of positions

HC-B16-I-PT-CI-M - Contact insert

1350015

<https://www.phoenixcontact.com/us/products/1350015>



HC-CBU-MOD - Coding element

1636130

<https://www.phoenixcontact.com/us/products/1636130>



Coding socket for coding up to 16 connectors, for HC Modular

HC-CST-MOD - Coding element

1636127

<https://www.phoenixcontact.com/us/products/1636127>



Coding peg for coding up to 16 connectors, for HC Modular

HC-B16-I-PT-CI-M - Contact insert

1350015

<https://www.phoenixcontact.com/us/products/1350015>



HC-B 16-ANDOCK - Docking frame

1586138

<https://www.phoenixcontact.com/us/products/1586138>



Docking frame for racks, for contact inserts of B16 type, with four M5 flat headed screws, rack balance x/y axis ± 1.5 mm

HC-B24/16-ADP-SS - Adapter plate

1034216

<https://www.phoenixcontact.com/us/products/1034216>



Adapter plate, design: B24 to B16

HC-B16-I-PT-CI-M - Contact insert

1350015

<https://www.phoenixcontact.com/us/products/1350015>



SCREW M3X10 H1L - Screw set

1209790

<https://www.phoenixcontact.com/us/products/1209790>



Screws

CRIMPFOX CENTRUS 6S - Crimping pliers

1213144

<https://www.phoenixcontact.com/us/products/1213144>



Crimping pliers, for uninsulated and insulated ferrules, DIN 46228 Part 1 and 4, from 0.14 mm² ... 6 mm², also for TWIN ferrules up to 2 x 4 mm², automatic cross section adjustment, lateral insertion, equipped with fall protection

HC-B16-I-PT-CI-M - Contact insert

1350015

<https://www.phoenixcontact.com/us/products/1350015>



CRIMPFOX 6 - Crimping pliers

1212034

<https://www.phoenixcontact.com/us/products/1212034>



Crimping pliers, for ferrules without insulating collar according to DIN 46228 Part 1 and ferrules with insulating collar according to DIN 46228 Part 4, 0.25 mm² ... 6.0 mm², lateral entry, trapezoidal crimp

CF CRIMPHANDY 0,5 - Electrical crimping tool

1212463

<https://www.phoenixcontact.com/us/products/1212463>



Mobile handheld device, battery-powered, for processing on-tape ferrules 0.5 mm² with functional end, suitable for PVC insulated conductors (H05V-K), incl. battery, charger, CUTFOX 12 cable cutter, waste guide plate 2, service tool for error correction, and one strip of ferrules 0.5 mm², packed in a robust case.

HC-B16-I-PT-CI-M - Contact insert

1350015

<https://www.phoenixcontact.com/us/products/1350015>



CF CRIMPHANDY 0,75 - Electrical crimping tool

1212464

<https://www.phoenixcontact.com/us/products/1212464>



Mobile handheld device, battery-powered, for processing on-tape ferrules 0.75 mm² with functional end, suitable for PVC insulated conductors (H05V-K), incl. battery, charger, CUTFOX 12 cable cutter, waste guide plate 2, service tool for error correction, and one strip of ferrules 0.75 mm², packed in a robust case.

CF CRIMPHANDY 1,0 - Electrical crimping tool

1212465

<https://www.phoenixcontact.com/us/products/1212465>



Mobile handheld device, battery-powered, for processing on-tape ferrules 1.0 mm² with functional end, suitable for PVC insulated conductors (H05V-K), incl. battery, charger, CUTFOX 12 cable cutter, waste guide plate 2, service tool for error correction, and one strip of ferrules 1.0 mm², packed in a robust case.

HC-B16-I-PT-CI-M - Contact insert

1350015

<https://www.phoenixcontact.com/us/products/1350015>



CF CRIMPHANDY 1,5 - Electrical crimping tool

1212466

<https://www.phoenixcontact.com/us/products/1212466>



Mobile handheld device, battery-powered, for processing on-tape ferrules 1.5 mm² with functional end, suitable for PVC insulated conductors (H07V-K), incl. battery, charger, CUTFOX 12 cable cutter, waste guide plate 2, service tool for error correction, and one strip of ferrules 1.5 mm², packed in a robust case.

HC-B16-I-PT-CI-F - Contact insert

1350013

<https://www.phoenixcontact.com/us/products/1350013>



Contact insert, number of positions: 16+2+PE, size: B16, number of connections per position: 1, Socket, Push-in connection, 500 V, 16 A, 0.14 mm² ... 2.5 mm², application: Power, tool-free Click-in mounting

HC-B16-I-PT-CI-M - Contact insert

1350015

<https://www.phoenixcontact.com/us/products/1350015>



SZF 0-0,4X2,5 - Screwdriver

1204504

<https://www.phoenixcontact.com/us/products/1204504>



Actuation tool, for ST terminal blocks, also suitable for use as a bladed screwdriver, size: 0.4 x 2.5 x 75 mm, 2-component grip, with non-slip grip

Phoenix Contact 2023 © - all rights reserved

<https://www.phoenixcontact.com>

Phoenix Contact USA
586 Fulling Mill Road
Middletown, PA 17057, United States
(+717) 944-1300
info@phoenixcon.com