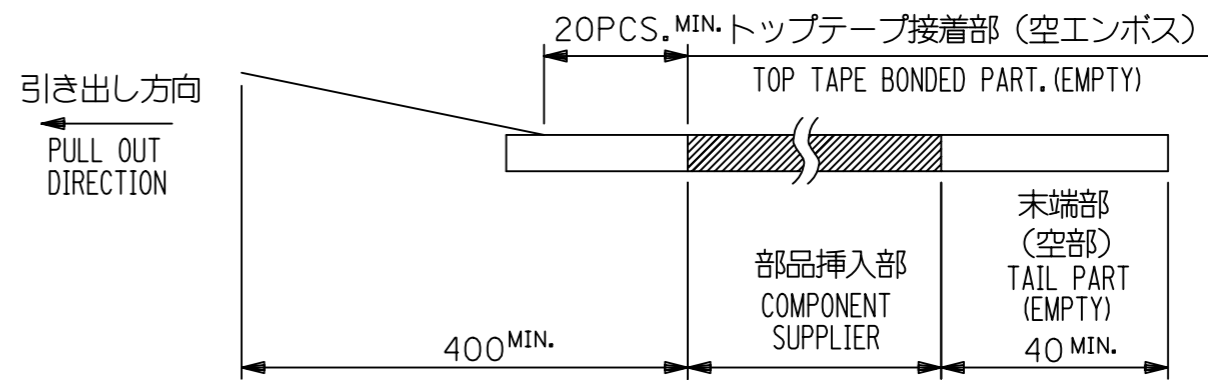


NOTE

- 1. 梱包数量 : 1000個/リール
NUMBER OF CONNECTORS : 1000 PCS/REEL
- 2. リードテープ長さ LEAD TAPE LENGTH



3. 52610-**15のアクチュエータはハウジング内に押し下げた状態とする。
詳細寸法については図面 526101000 PSD 000 を参照下さい。
ACTUATOR OF PART NO. 52610-**15 SHOULD BE LOCKED.
RE DETAILD DIMENSIONS, SEE 526101000 PSD 000.

4. 材料 MATERIAL
 キャリアテープ : ポリプロピレン
 トップテープ : PET, PE, PEF
 リール : ポリスチレン <リサイクル材を含む>
 CARRIER TAPE : POLYPROPYLENE
 TOP TAPE : PET, PE, PEF
 REEL : POLYSTYRENE (PS) < RECYCLE MATERIAL CONTAINED >

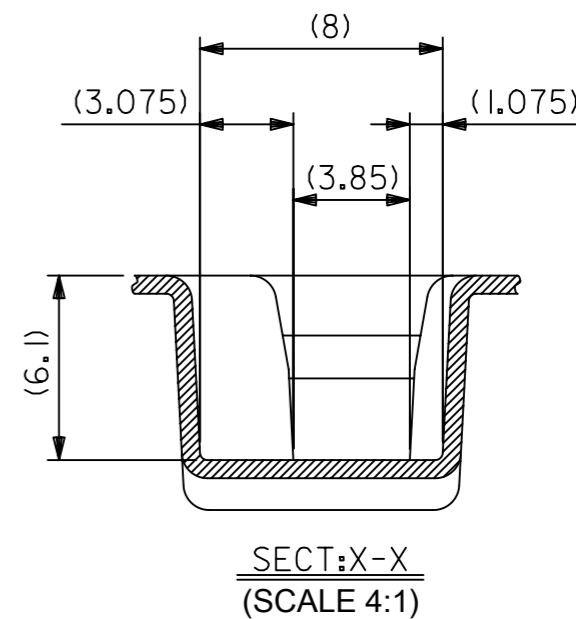
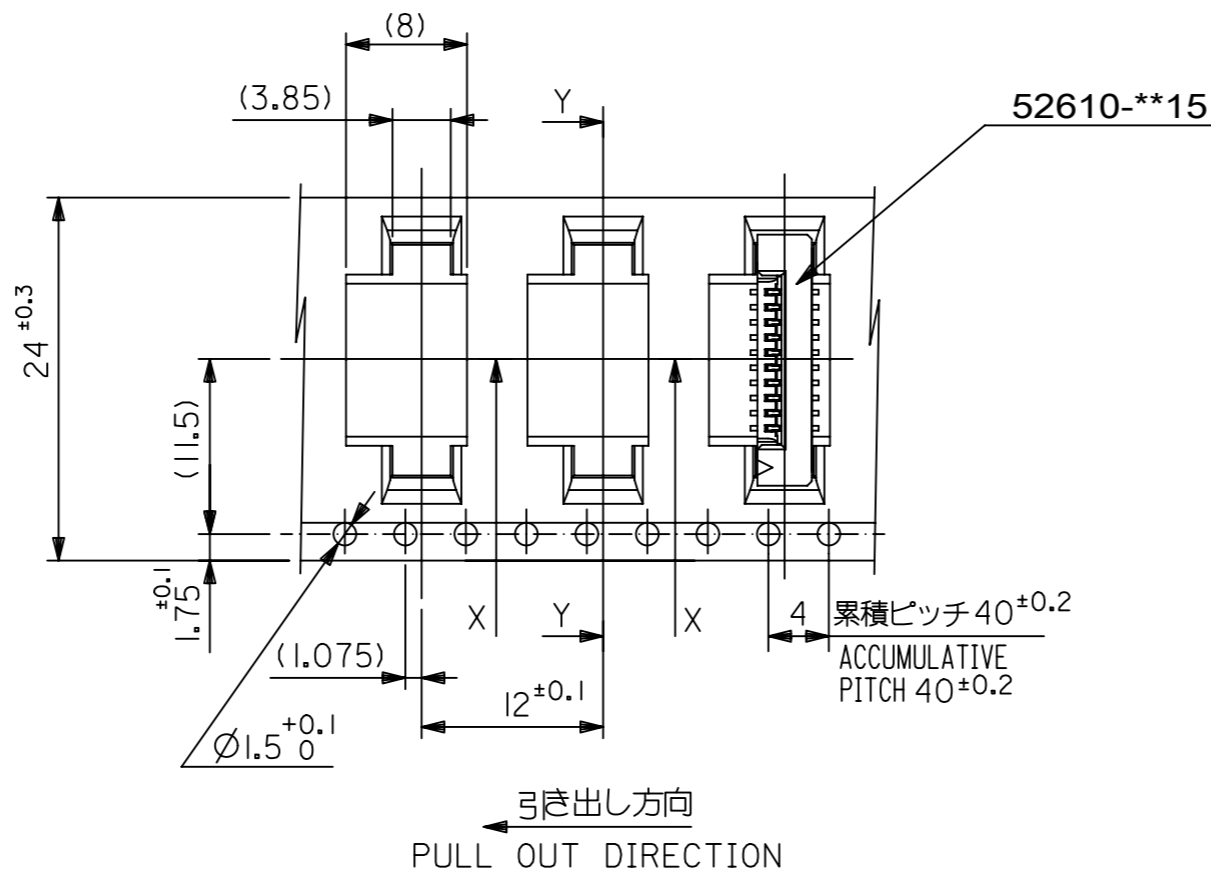
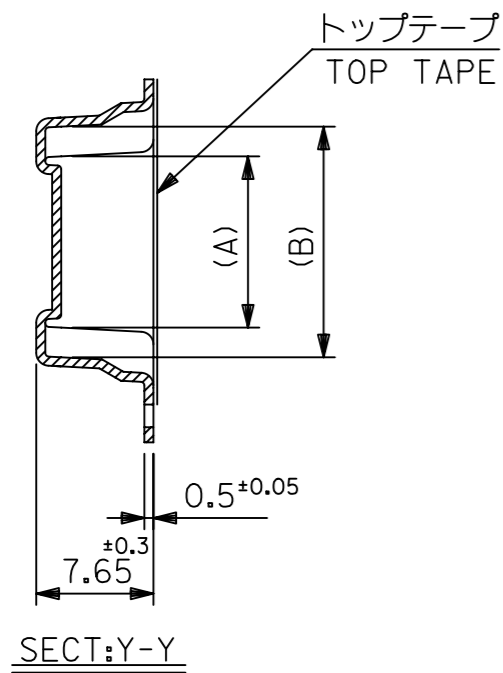
5. 本製品は52610シリーズの接点金めつき品である。
THIS PRODUCT IS Au-CONTACT OF 52610 SERIES.

6. 本製品は乾燥剤入り、ハイバリア梱包仕様である。
THIS PRODUCT IS HIGH BARRIER PACKAGE WITH DESICCANT.

MODEL NO. 52610-**72

THIS DRAWING CONTAINS INFORMATION THAT IS PROPRIETARY TO MOLEX ELECTRONIC TECHNOLOGIES, LLC AND SHOULD NOT BE USED WITHOUT WRITTEN PERMISSION											
EC NO: 106044 DRWN: YMIZUNO02 CHK'D: YKOBAYASHI02 APPR: TKUSUHARA01	2016/10/12	2016/12/28	GENERAL TOLERANCES (UNLESS SPECIFIED)		DIMENSION UNITS	SCALE					
	2016/10/12	2016/12/28	ANGULAR TOL ± 3.0 °		MM	---					
	4 PLACES	± 0.2	4 PLACES		DRWN BY	DATE	1.0 FPC CONN ZIF ASSY SMT ST EMBSTP PKG				
	3 PLACES	± 0.2	3 PLACES		YMIZUNO02	2016/10/12					
	2 PLACES	± 0.2	2 PLACES		CHK'D BY	DATE	PRODUCT CUSTOMER DRAWING				
1 PLACE	± 0.2	1 PLACE		YKOBAYASHI02	2016/12/28						
0 PLACES	± 0.2	0 PLACES		APPR BY	DATE	SERIES	MATERIAL NUMBER	CUSTOMER			
DRAFT WHERE APPLICABLE MUST REMAIN WITHIN DIMENSIONS		DRAFT WHERE APPLICABLE MUST REMAIN WITHIN DIMENSIONS		DRAWING SIZE		THIRD ANGLE PROJECTION		52610	SEE CHART	GENERAL	
A	REV	A3		A3				DOCUMENT NUMBER	DOC TYPE	DOC PART	SHEET NUMBER
								526100000	PSD	000	1 OF 5

RELEASE STATUS	RELEASE DATE
----------------	--------------

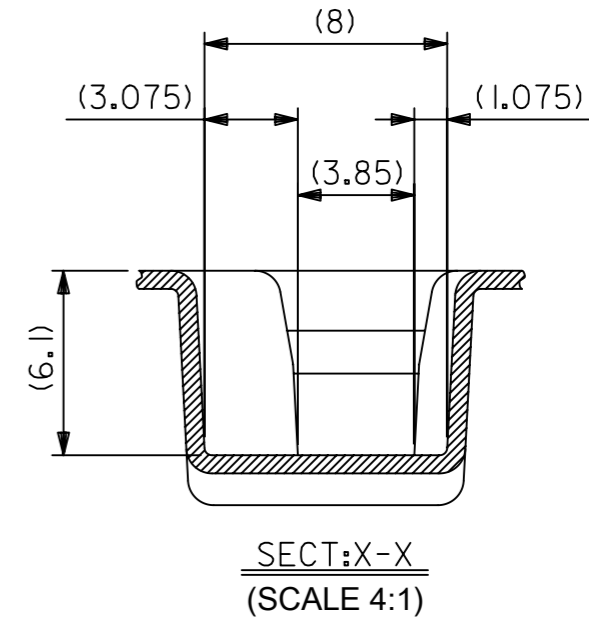
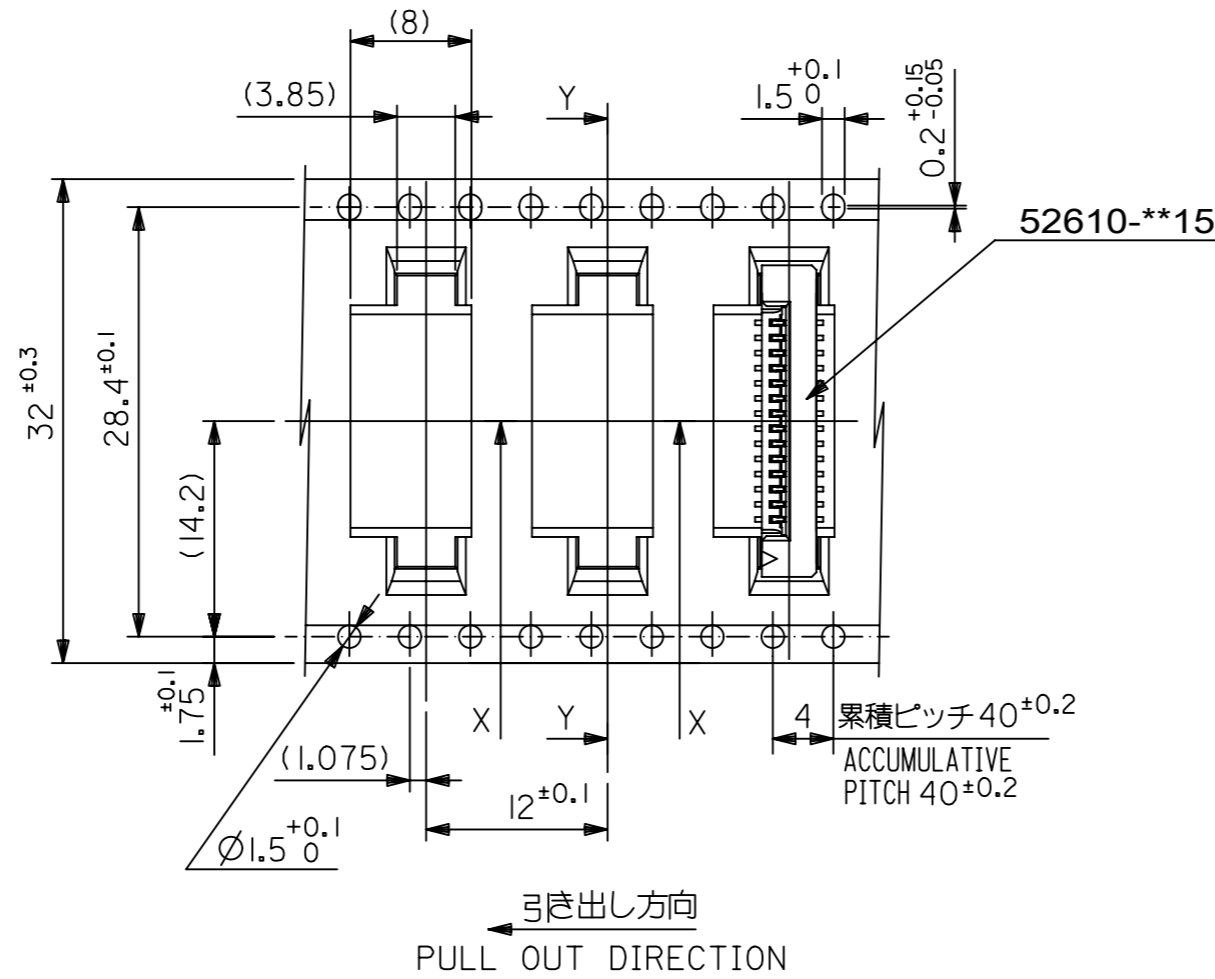
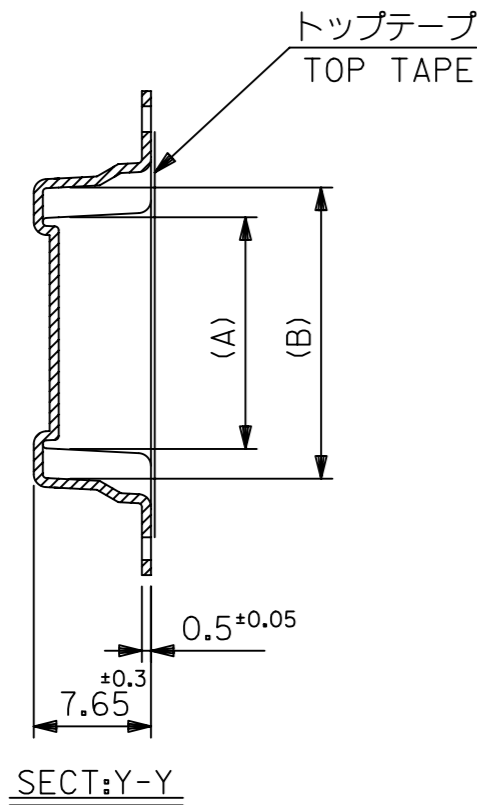


24	29.4	25.4	15.25	11.32	52610-1072	10		
			14.25	10.32	52610-0972	9		
			13.25	9.32	52610-0872	8		
			12.25	8.32	52610-0772	7		
			11.25	7.32	52610-0672	6		
			10.25	6.32	52610-0572	5		
キャリアテープ幅 CARRIER TAPE WIDTH			D	C	(B)	(A)	MATERIAL NO.	極数 CKT

THIS DRAWING CONTAINS INFORMATION THAT IS PROPRIETARY TO MOLEX ELECTRONIC TECHNOLOGIES, LLC AND SHOULD NOT BE USED WITHOUT WRITTEN PERMISSION

EC NO: 106044 DRWN: YMIZUNO02 CHK'D: YKOBAYASHI02 APPR: TKUSUHARA01	2016/10/12	2016/12/28	GENERAL TOLERANCES (UNLESS SPECIFIED) ANGULAR TOL ± 3.0 ° 4 PLACES ± 0.2 3 PLACES ± 0.2 2 PLACES ± 0.2 1 PLACE ± 0.2 0 PLACES ± 0.2 DRAFT WHERE APPLICABLE MUST REMAIN WITHIN DIMENSIONS	DIMENSION UNITS	SCALE				
	2016/10/12	2016/12/28		MM	---				
	2016/12/28	2016/12/28		DRWN BY	DATE		YMIZUNO02	2016/10/12	
	2016/12/28	2016/12/28		CHK'D BY	DATE		YKOBAYASHI02	2016/12/28	
	2016/12/28	2016/12/28		APPR BY	DATE		TKUSUHARA01	2016/12/28	
A	REV	3		DRAWING SIZE	THIRD ANGLE PROJECTION	1.0 FPC CONN ZIF ASSY SMT ST EMBSTP PKG			
				A3		PRODUCT CUSTOMER DRAWING			
						SERIES	MATERIAL NUMBER	CUSTOMER	
						52610	SEE CHART	GENERAL	
						DOCUMENT NUMBER	DOC TYPE	DOC PART	SHEET NUMBER
						526100000	PSD	000	2 OF 5

RELEASE STATUS	RELEASE DATE
----------------	--------------

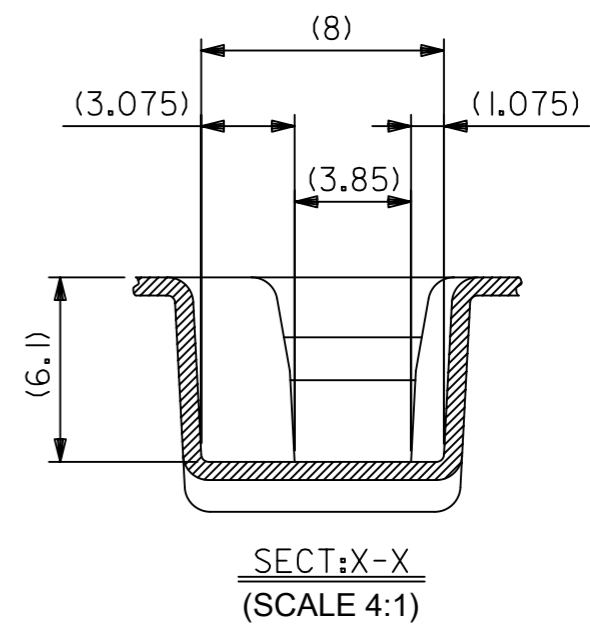
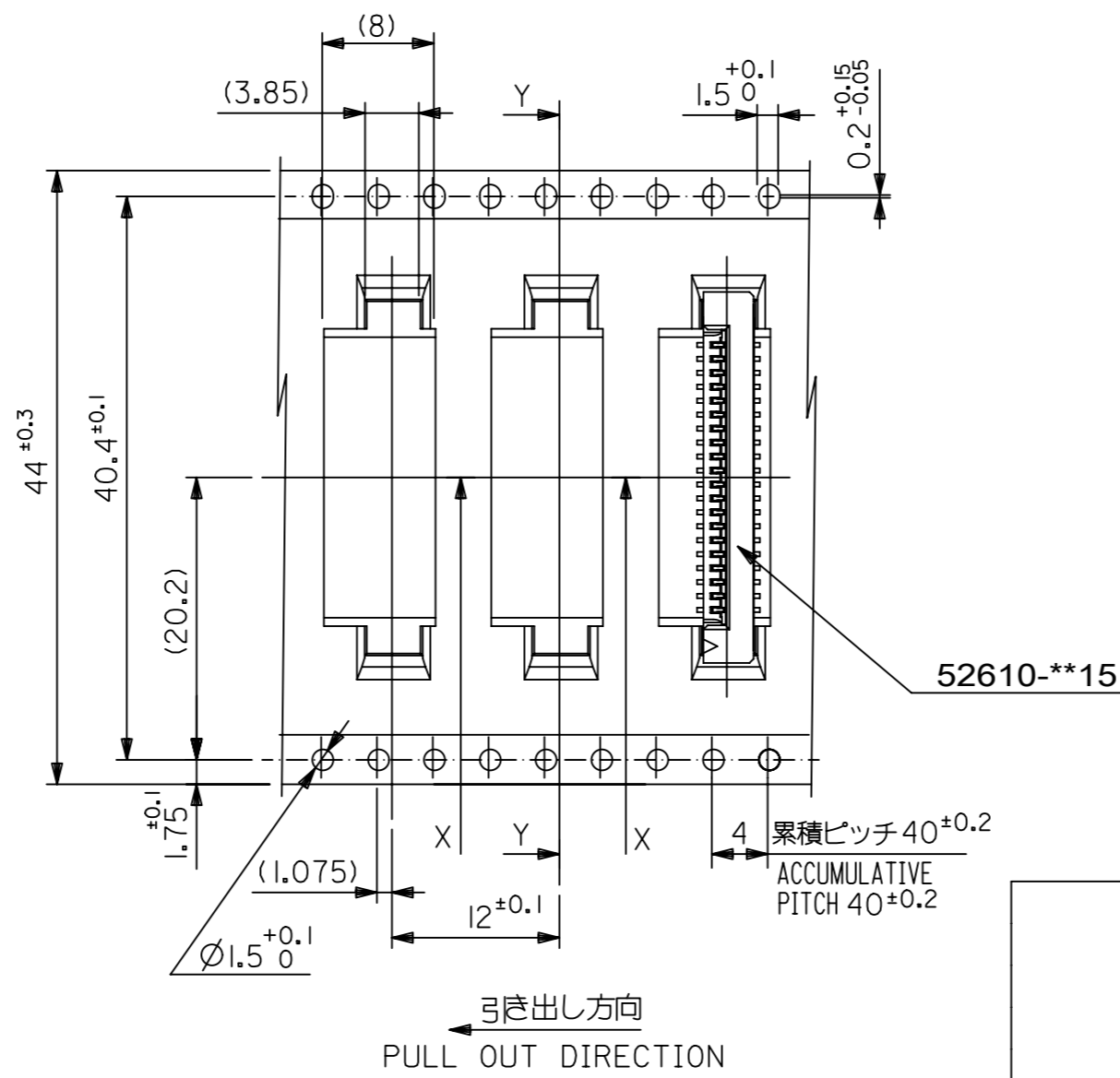
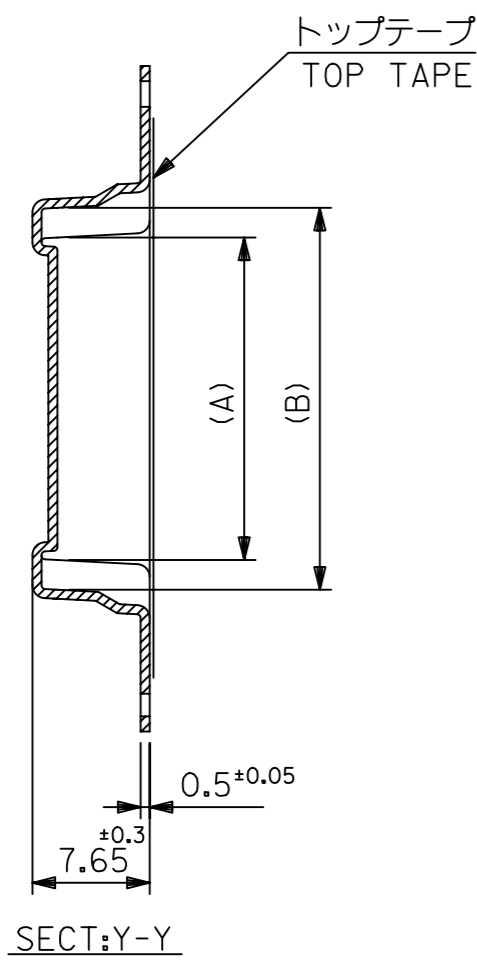


32	37.4	33.4	20.25	16.32	52610-1572	15	
			19.25	15.32	52610-1472	14	
			18.25	14.32	52610-1372	13	
			17.25	13.32	52610-1272	12	
			16.25	12.32	52610-1172	11	
キャリアテープ幅 CARRIER TAPE WIDTH		D	C	(B)	(A)	MATERIAL NO.	極数 CKT

THIS DRAWING CONTAINS INFORMATION THAT IS PROPRIETARY TO MOLEX ELECTRONIC TECHNOLOGIES, LLC AND SHOULD NOT BE USED WITHOUT WRITTEN PERMISSION

EC NO: 106044 DRWN: YMIZUNO02 CHK'D: YKOBAYASHI02 APPR: TKUSUHARA01	2016/10/12	2016/12/28	2016/12/28	GENERAL TOLERANCES (UNLESS SPECIFIED) ANGULAR TOL ± 3.0 ° 4 PLACES ± 0.2 3 PLACES ± 0.2 2 PLACES ± 0.2 1 PLACE ± 0.2 0 PLACES ± 0.2 DRAFT WHERE APPLICABLE MUST REMAIN WITHIN DIMENSIONS	DIMENSION UNITS	SCALE	
	RELEASED	MM	---				
	DRWN BY	DATE	YMIZUNO02		2016/10/12		
	CHK'D BY	DATE	YKOBAYASHI02		2016/12/28		
	APPR BY	DATE	TKUSUHARA01		2016/12/28		
PRODUCT CUSTOMER DRAWING		SERIES	MATERIAL NUMBER	CUSTOMER			
		52610	SEE CHART	GENERAL			
DOCUMENT NUMBER		DOC TYPE	DOC PART	SHEET NUMBER			
A		526100000	PSD	000			
		3 OF 5					

RELEASE STATUS	RELEASE DATE
----------------	--------------

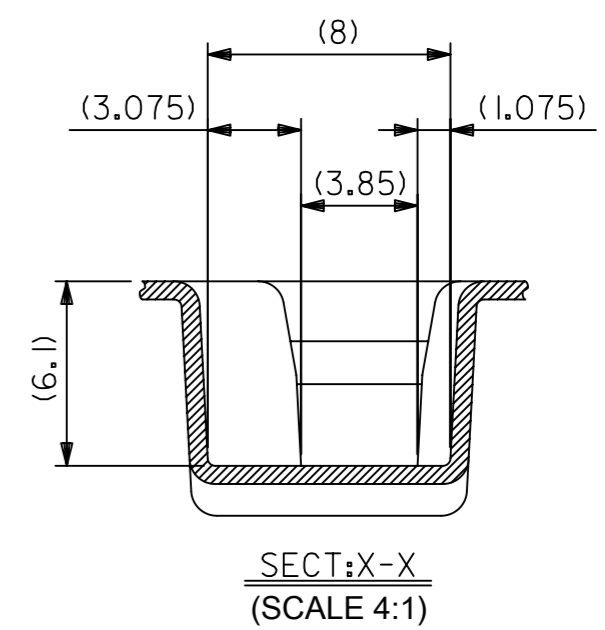
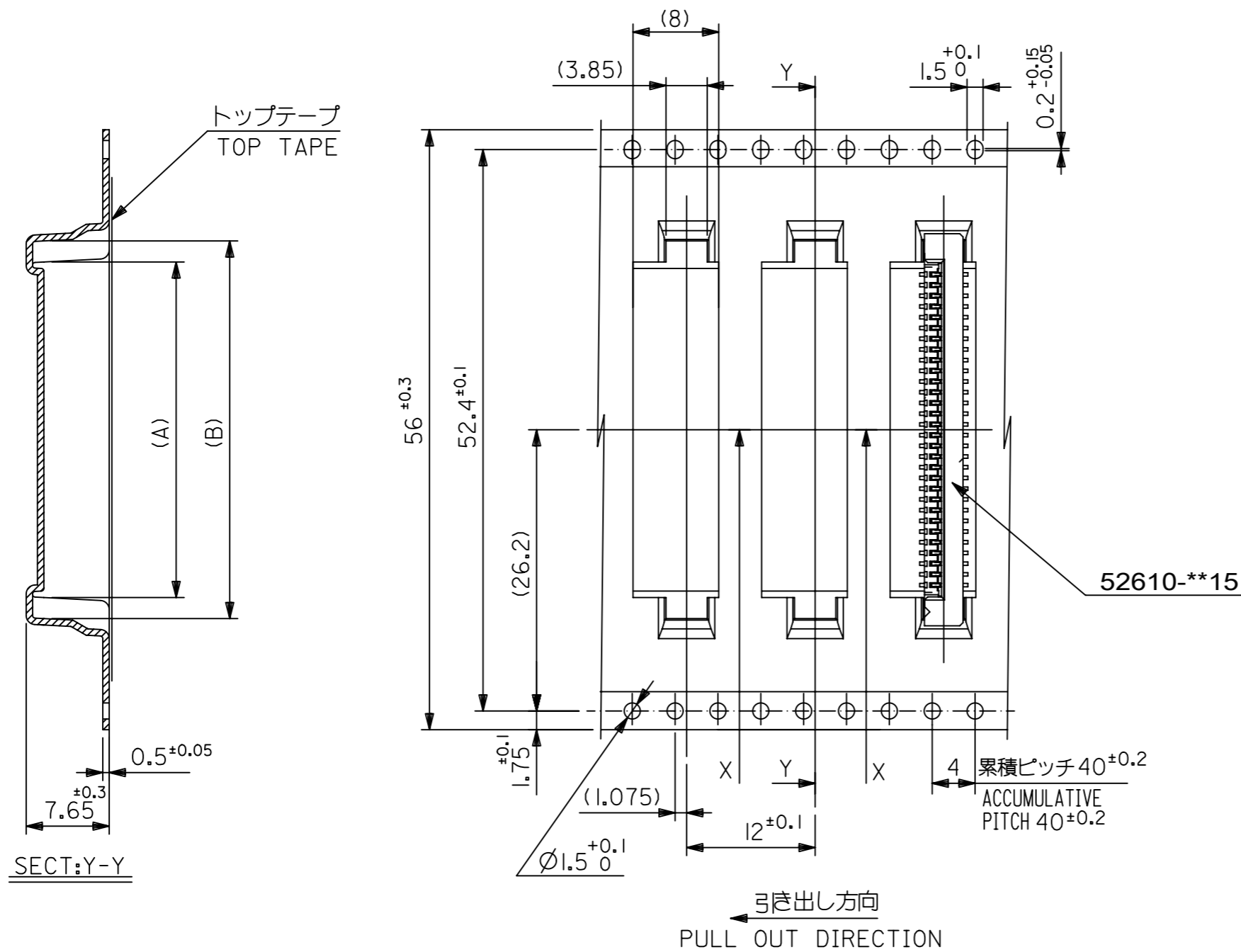


44	49.4	45.4	31.25	27.32	52610-2672	26		
			30.25	26.32	52610-2572	25		
			29.25	25.32	52610-2472	24		
			28.25	24.32	52610-2372	23		
			27.25	23.32	52610-2272	22		
			26.25	22.32	52610-2172	21		
			25.25	21.32	52610-2072	20		
			24.25	20.32	52610-1972	19		
			23.25	19.32	52610-1872	18		
			22.25	18.32	52610-1772	17		
			21.25	17.32	52610-1672	16		
キャリアテープ幅 CARRIER TAPE WIDTH			D	C	(B)	(A)	MATERIAL NO.	極数 CKT

THIS DRAWING CONTAINS INFORMATION THAT IS PROPRIETARY TO MOLEX ELECTRONIC TECHNOLOGIES, LLC AND SHOULD NOT BE USED WITHOUT WRITTEN PERMISSION

EC NO: 106044 DRWN: YMIZUNO02 CHK'D: YKOBAYASHI02 APPR: TKUSUHARA01	2016/10/12	2016/12/28	GENERAL TOLERANCES (UNLESS SPECIFIED)		DIMENSION UNITS	SCALE			
	RELEASED		ANGULAR TOL ± 3.0 °		MM	---			
			4 PLACES	± 0.2	DRWN BY	DATE		1.0 FPC CONN ZIF ASSY SMT ST EMBSTP PKG	
			3 PLACES	± 0.2	YMIZUNO02	2016/10/12			
			2 PLACES	± 0.2	CHK'D BY	DATE			
		1 PLACE	± 0.2	YKOBAYASHI02	2016/12/28				
		0 PLACES	± 0.2	APPR BY	DATE	PRODUCT CUSTOMER DRAWING			
		DRAFT WHERE APPLICABLE MUST REMAIN WITHIN DIMENSIONS		TKUSUHARA01	2016/12/28	SERIES	MATERIAL NUMBER	CUSTOMER	
				DRAWING SIZE	THIRD ANGLE PROJECTION	52610	SEE CHART	GENERAL	
				A3		DOCUMENT NUMBER	DOC TYPE	DOC PART	SHEET NUMBER
						526100000	PSD	000	4 OF 5

RELEASE STATUS	RELEASE DATE
----------------	--------------

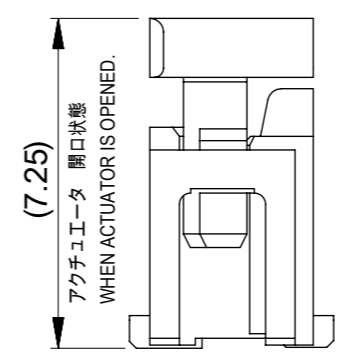
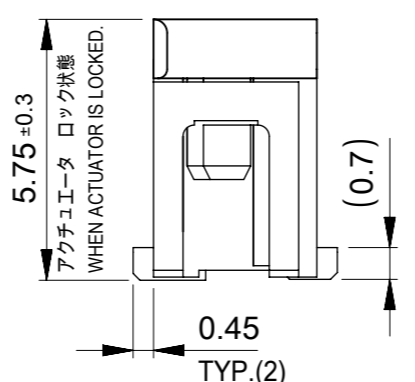
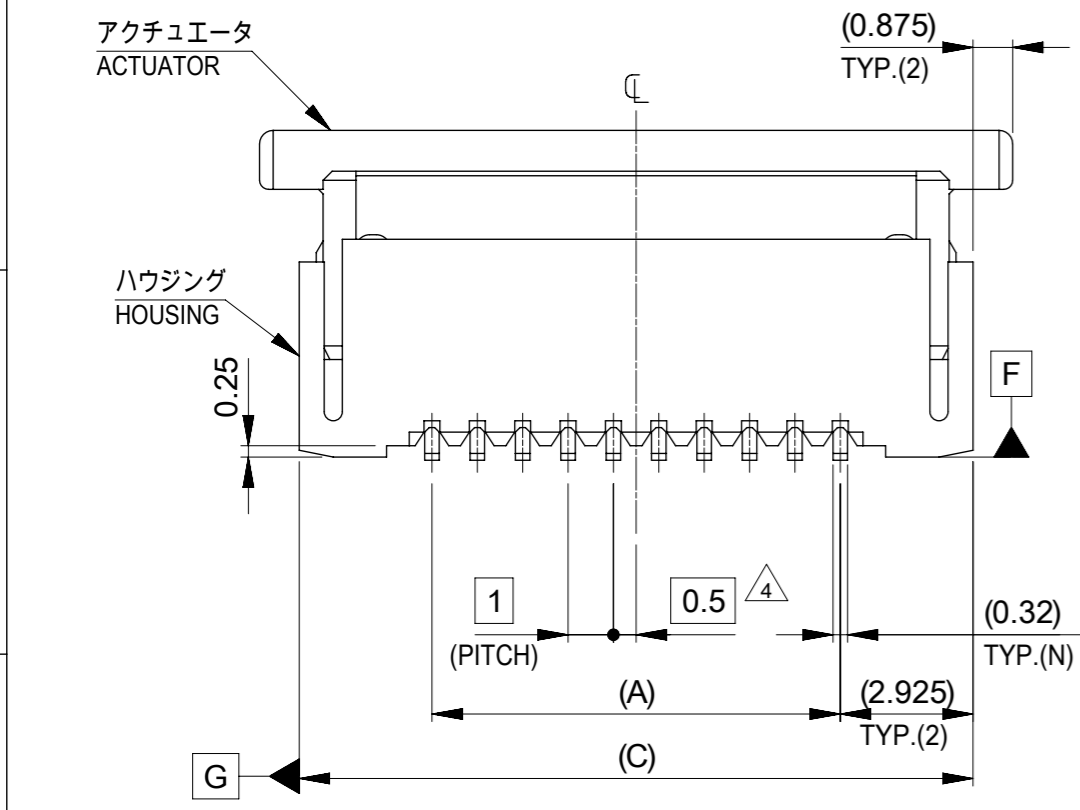
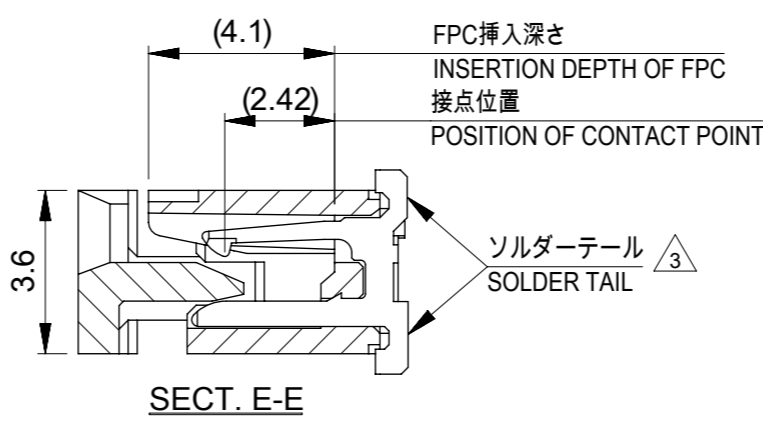
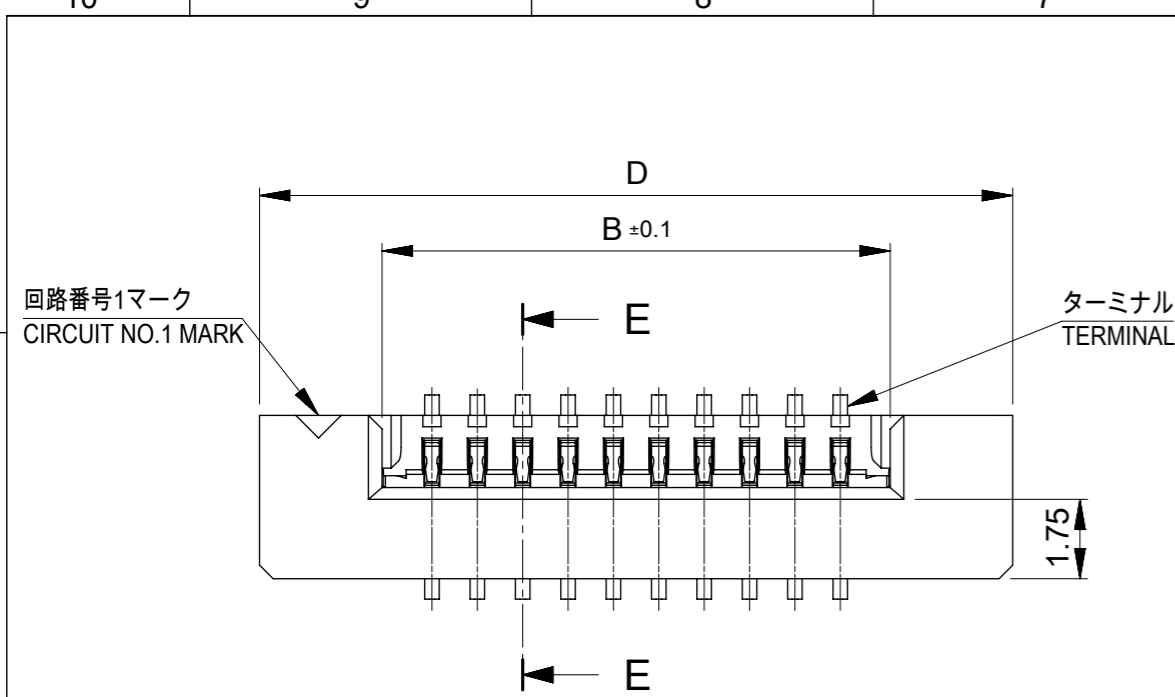


56	61.4	57.4	35.25	31.32	52610-3072	30
			33.25	29.32	52610-2872	28
キャリアテープ幅 CARRIER TAPE WIDTH	D	C	(B)	(A)	MATERIAL NO.	極数 CKT

THIS DRAWING CONTAINS INFORMATION THAT IS PROPRIETARY TO MOLEX ELECTRONIC TECHNOLOGIES, LLC AND SHOULD NOT BE USED WITHOUT WRITTEN PERMISSION

EC NO: 106044 DRWN: YMIZUNO02 CHK'D: YKOBAYASHI02 APPR: TKUSUHARA01	2016/10/12	GENERAL TOLERANCES (UNLESS SPECIFIED)	DIMENSION UNITS	SCALE				
	2016/12/28	ANGULAR TOL ± 3.0 °	MM	---				
	2016/12/28	4 PLACES ± 0.2	DRWN BY	DATE				
		3 PLACES ± 0.2	YMIZUNO02	2016/10/12				
	2 PLACES ± 0.2	3 PLACES ± 0.2	CHK'D BY	DATE	1.0 FPC CONN ZIF ASSY SMT ST EMBSTP PKG			
	1 PLACE ± 0.2	2 PLACES ± 0.2	YKOBAYASHI02	2016/12/28				
	0 PLACES ± 0.2	1 PLACE ± 0.2	APPR BY	DATE	PRODUCT CUSTOMER DRAWING			
		0 PLACES ± 0.2	TKUSUHARA01	2016/12/28				
		DRAFT WHERE APPLICABLE MUST REMAIN WITHIN DIMENSIONS	DRAWING SIZE	THIRD ANGLE PROJECTION	SERIES	MATERIAL NUMBER	CUSTOMER	
			A3		52610	SEE CHART	GENERAL	
					DOCUMENT NUMBER	DOC TYPE	DOC PART	SHEET NUMBER
					526100000	PSD	000	5 OF 5

RELEASE STATUS	RELEASE DATE
----------------	--------------



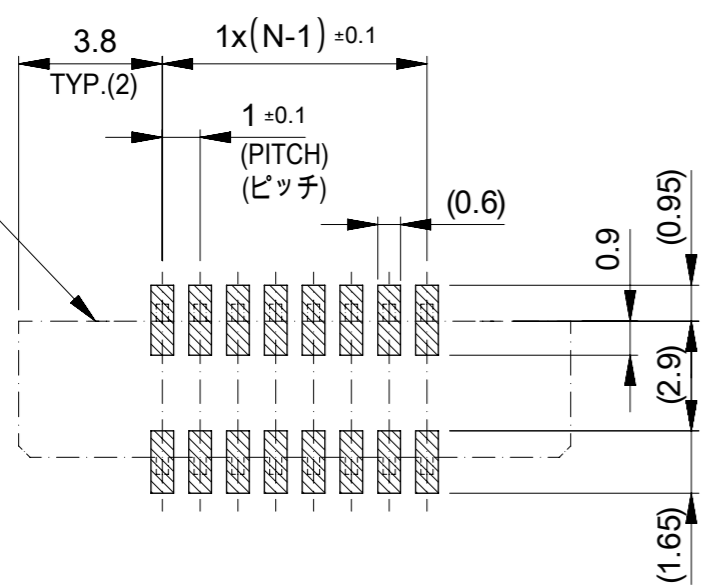
36.6	34.85	31.2	29	52610-3072	30
34.6	32.85	29.2	27	52610-2872	28
32.6	30.85	27.2	25	52610-2672	26
30.6	28.85	25.2	23	52610-2472	24
29.6	27.85	24.2	22	52610-2372	23
28.6	26.85	23.2	21	52610-2272	22
27.6	25.85	22.2	20	52610-2172	21
26.6	24.85	21.2	19	52610-2072	20
25.6	23.85	20.2	18	52610-1972	19
24.6	22.85	19.2	17	52610-1872	18
23.6	21.85	18.2	16	52610-1772	17
22.6	20.85	17.2	15	52610-1672	16
21.6	19.85	16.2	14	52610-1572	15
20.6	18.85	15.2	13	52610-1472	14
19.6	17.85	14.2	12	52610-1372	13
18.6	16.85	13.2	11	52610-1272	12
17.6	15.85	12.2	10	52610-1172	11
16.6	14.85	11.2	9	52610-1072	10
15.6	13.85	10.2	8	52610-0972	9
14.6	12.85	9.2	7	52610-0872	8
13.6	11.85	8.2	6	52610-0772	7
12.6	10.85	7.2	5	52610-0672	6
11.6	9.85	6.2	4	52610-0572	5
D	(C)	B	(A)	MATERIAL NO.	極数 CKT

THIS DRAWING CONTAINS INFORMATION THAT IS PROPRIETARY TO MOLEX ELECTRONIC TECHNOLOGIES, LLC AND SHOULD NOT BE USED WITHOUT WRITTEN PERMISSION

DIMENSION UNITS	SCALE	CURRENT REV DESC:	
mm	---		
GENERAL TOLERANCES (UNLESS SPECIFIED)		molex 1.0 FPC CONN ZIF S/T HOUSING ASSY PRODUCT CUSTOMER DRAWING	
ANGULAR TOL ± 3.0°			
4 PLACES	± 0.03		
3 PLACES	± 0.03		
2 PLACES	± 0.05		
1 PLACE	± 0.1	EC NO: 745355	2023/04/06
0 PLACES	± 0.2	DRWN: RAJMOK	2023/04/07
DRAFT WHERE APPLICABLE MUST REMAIN WITHIN DIMENSIONS		CHK'D: HSHIMOYAMA	2023/04/07
THIRD ANGLE PROJECTION		APPR: HSHIMOYAMA	2023/04/07
DRAWING		INITIAL REVISION:	DOCUMENT NUMBER
A3-SIZE		DRWN: YMIZUNO02	526101000
SERIES		APPR: TKUSUHARA01	DOC TYPE
52610		2016/10/12	PSD
MATERIAL NUMBER		2016/12/28	DOC PART
SEE TABLE			000
CUSTOMER			REVISION
GENERAL			C
SHEET NUMBER			1 OF 2

GENERAL TOLERANCES (UNLESS SPECIFIED)		
10 UNDER	±0.2	
10 OVER 30 UNDER	±0.25	
30 OVER	±0.3	

コネクタ位置
CONNECTOR
LOCATION

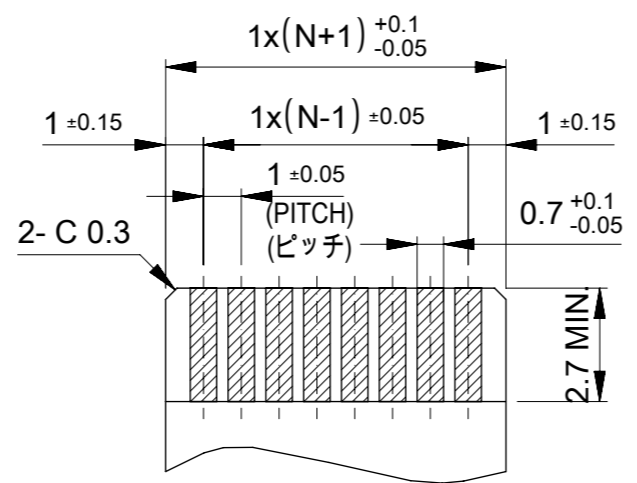


参考基盤レイアウト
RECOMMENDED P.C. BOARD
PATTERN LAYOUT (REFERENCE)

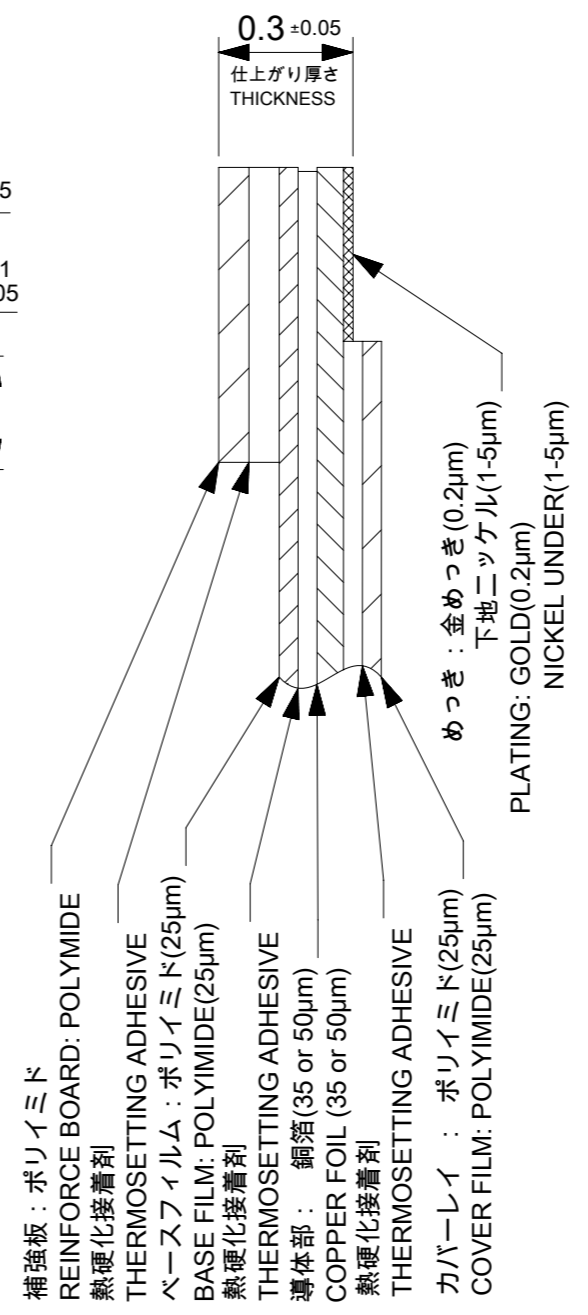
マスク厚 : 120µm
マスク開口率 : 100%
SCREEN THICKNESS : 120 MICROMETER
SCREEN OPEN RATIO : 100%

注記(NOTES):

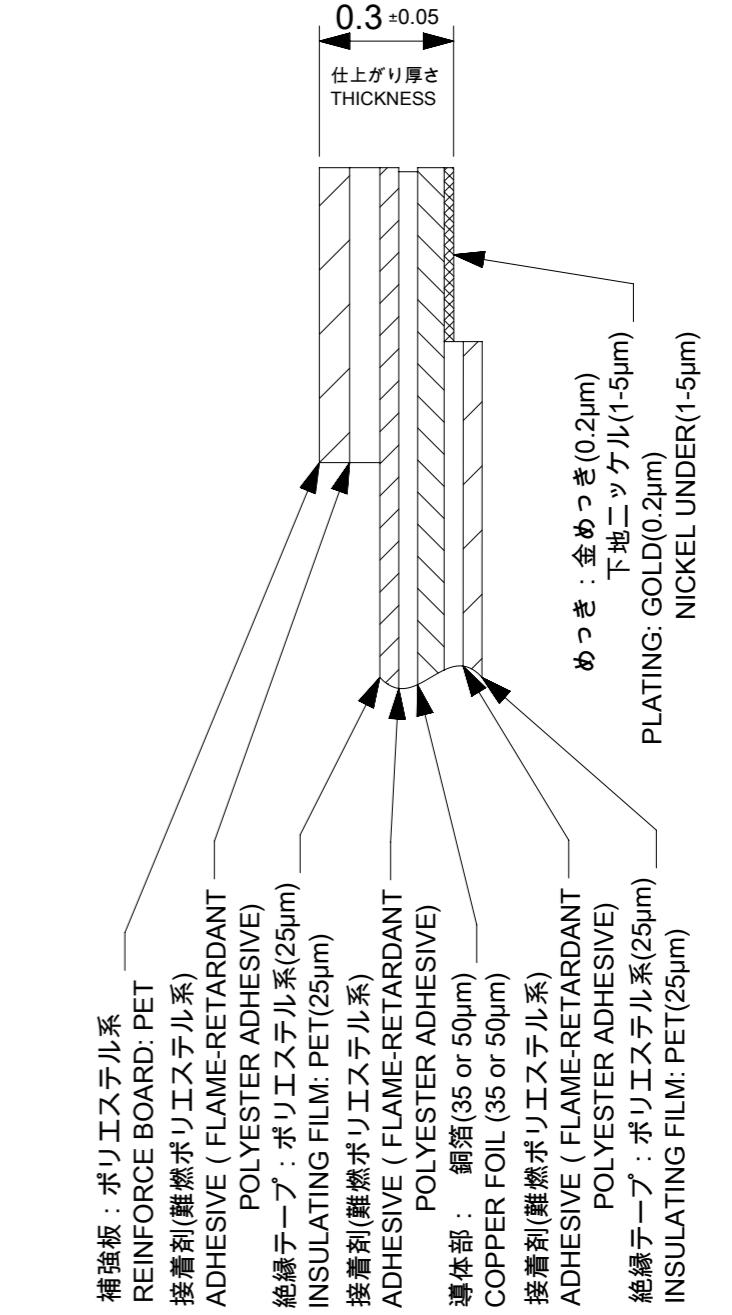
- 材質 MATERIAL
ハウジング : 46ナイロン、ガラス充填、UL94V-0、ナチュラル(白色)
アクチュエータ : PPS、ナチュラル(茶色)、ガラス充填、UL94V-0
ターミナル : リン青銅(t=0.32)
HOUSING : 46NYLON, GLASS FILLED, UL94V-0, NATURAL(WHITE)
ACTUAOR : PPS, NATURAL(BROWN), GLASS FILLED, UL94V-0
TERMINAL : PHOSPHOR BRONZE(t=0.32)
- めっき仕様 PLATING
ターミナル TERMINAL
接点部 : 金めっき(0.1µm以上)
テール部 : 錫めっき(1.0µm以上)
下地 : ニッケルめっき(1.0µm以上)
CONTACT : GOLD PLATING (0.1 MICROMETER MINIMUM)
TAIL : MATTE TIN (1.0 MICROMETER MINIMUM)
UNDER PLATE : NICKEL PLATING (1.0 MICROMETER MINIMUM)
- 3 ソルダーテール半田付け面のズレ量は、基準面 **F** に対し
上方向0.05MAX.、下方向0.15MAX.とする。
MISALIGNMENT OF SOLDER TAILS FROM **F** UPPER DIREVTION : 0.05 MAX.
LOWER DIRECTION : 0.15 MAX.
- 4 偶数極に適用。
APPLY FOR EVEN CIRCUIT.
- エンボステーブ梱包時は、アクチュエータがロックした状態とする。
IN THE PACKAGE, ACTUATOR SHOULD BE LOCKED.
- 本製品は52610シリーズの接点金めっき品である。
THIS PRODUCT IS Au-CONTACT OF 52610 SERIES.



適合FPC/FFC推奨寸法
APPLICABLE FPC/FFC
RECOMMENDED DIMENSION
(仕上がり厚さ : 0.3±0.05)
(THICKNESS : 0.3±0.05)



FPC構成推奨仕様
RECOMMENDED STRUCTURE OF FPC



FFC構成推奨仕様
RECOMMENDED STRUCTURE OF FFC

FPC/FFCについて:
抜き方向は、導体側から補強板側を推奨致します。
尚、接着剤の接点部への付着は導通不良の原因になりますので、
染み出しが無い様お願い致します。

ABOUT FPC/FFC:
RECOMMENDED PUNCHER DIRECTION:
FROM CONDUCTOR SIDE TO STIFFNER SIDE
PLEASE PUT APPROPRIATE AMOUNT OF ADHESIVE ON ADHEREND
BECAUSE THERE IS A POSSIBILITY THAT THE EXTRA ADHESIVE
CAUSES THE DEFECT IN ELECTRICAL CONTINUITY.

GENERAL TOLERANCES (UNLESS SPECIFIED)		
10 UNDER	±0.2	
10 OVER 30 UNDER	±0.25	
30 OVER	±0.3	

THIS DRAWING CONTAINS INFORMATION THAT IS PROPRIETARY TO MOLEX ELECTRONIC TECHNOLOGIES, LLC AND SHOULD NOT BE USED WITHOUT WRITTEN PERMISSION									
DIMENSION UNITS		SCALE		CURRENT REV DESC:					
mm		---							
GENERAL TOLERANCES (UNLESS SPECIFIED)									
ANGULAR TOL ± 3.0°									
4 PLACES		± 0.03		EC NO: 745355					
3 PLACES		± 0.03		DRWN: RAJMOK		2023/04/06			
2 PLACES		± 0.05		CHK'D: HSHIMOYAMA		2023/04/07			
1 PLACE		± 0.1		APPR: HSHIMOYAMA		2023/04/07			
0 PLACES		± 0.2		INITIAL REVISION:					
				DRWN: YMIZUNO02		2016/10/12			
				APPR: TKUSUHARA01		2016/12/28			
DRAFT WHERE APPLICABLE MUST REMAIN WITHIN DIMENSIONS				THIRD ANGLE PROJECTION		DRAWING		SERIES	
				A3-SIZE		52610		MATERIAL NUMBER	
				SEE SHEET-1		GENERAL		CUSTOMER	
								SHEET NUMBER	
								2 OF 2	