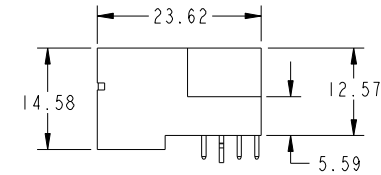
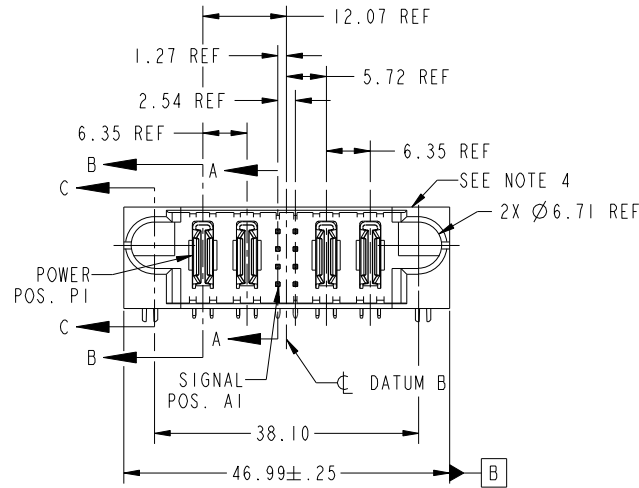


Tous droits strictement reserves. Reproduction ou communication a des tiers interdite sous quelque forme que ce soit sans autorisation écrite du propriétaire. Propriete de c FCI. Droits de reproduction FCI.



All rights strictly reserved. Reproduction or issue to third parties in any form whatever is not permitted without written authority from the proprietor. Property of FCI. Copyright FCI.

PRODUCT NO.	ROWS	POWER		SN		POWER		E2	
		E1	P1	P2	1	2	P3		P4
51730-129_ _ NOTE 3	D C B A								



CODE	DIM "M" MATING LENGTH	CONTACT TYPE
U	[6.86]	SIGNAL
T	[6.86]	SIGNAL
S	[6.86]	SIGNAL
R	[6.86]	SIGNAL
PA	[N/A]	POWER
HA	[N/A]	HOLD-DOWN
H	[5.59]	SIGNAL
E	[5.59]	SIGNAL

mat'l code				SEE NOTE		tolerances unless otherwise specified		CUSTOMER		FCI	
ltr	ecn no.	dr	date	linear	0.X ±0.3	projection		COPY		www.fciconnect.com	
A	DG06-0533	JMG	12/13/06	angles	0.XX ±0.13	MIM		title		2P + 8S + 2p	
				enr	0.XXX ±0.051	scale		product family		PwrBlade	
				chr	0° ±2°	1:1		size		code	
				appd	JM GUO 12/13/06			dwg no		213	
					RYAN YUAN 12/13/06			51730-129		sheet	
					BEER FU 12/13/06			A		1 of 4	
					JOSEPH HSIA 12/13/06						
sheet index	revision sheet	A	A	A	A						
		1	2	3	4						
								cage code		22526	

Pro/E

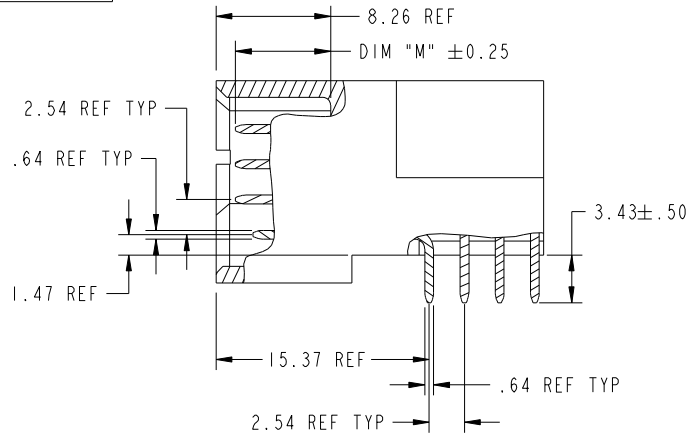
cage code 22526

Tous droits strictement reserves. Reproduction ou communication a des tiers interdite sous quelque forme que ce soit sans autorisation écrite du propriétaire. Propriete de c FCI. Droits de reproduction FCI.

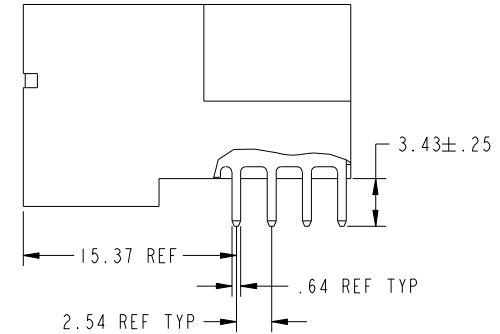
All rights strictly reserved. Reproduction or issue to third parties in any form whatever is not permitted without written authority from the proprietor. Property of FCI. Copyright FCI.



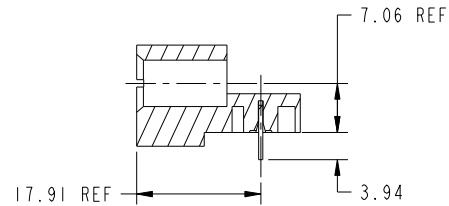
PRODUCT NUMBER  
51730-129--  
NOTE: 3



BROKEN-OUT SECTION A-A  
SCALE 2:1



BROKEN-OUT SECTION B-B  
SCALE 2:1



SECTION C-C

mat'l code				SEE NOTE		tolerances unless otherwise specified		CUSTOMER		FCI	
ltr	ecr no.	dr	date	linear	0.X ±0.3	COPY		www.fciconnect.com		title	
A				angles	0.XX ±0.13	projection		2P + 8S + 2p		RIGHT ANGLE SOLDER HEADER	
				dr	0.XXX ±0.051	MIM		product family		PwrBlade	code
				enr	0° ±2°	scale		size		dwg no	213
				chr	JM GUO 12/13/06	1:1		A		51730-129	sheet
				appd	RYAN YUAN 12/13/06						2 of 4
					BEER FU 12/13/06						
					JOSEPH HSIA 12/13/06						
sheet index	revision sheet										

cage code 22526

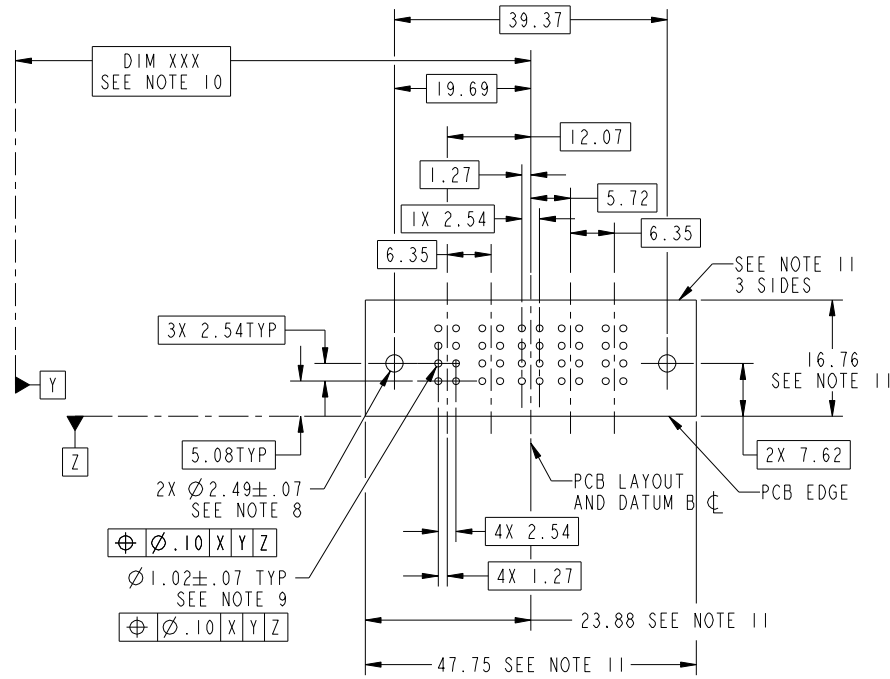
Pro/E

Tous droits strictement reserves. Reproduction ou communication a des tiers interdite sous quelque forme que ce soit sans autorisation écrite du propriétaire. Propriete de c FCI. Droits de reproduction FCI.



All rights strictly reserved. Reproduction or issue to third parties in any form whatever is not permitted without written authority from the proprietor. Property of FCI. Copyright FCI.

PRODUCT NUMBER  
51730-129--  
NOTE: 3



RECOMMENDED PCB LAYOUT

mat'l code		SEE NOTE		tolerances unless otherwise specified		CUSTOMER		FCI	
ltr	ecn no.	dr	date	linear	0.X ±0.3	COPY		www.fciconnect.com	
A				angles	0.XX ±0.13	projection		title	
				dr	0.XXX ±0.051	MIM		2P + 8S + 2p	
				enr	0° ±2°	scale		RIGHT ANGLE SOLDER HEADER	
				chr	JM GUO 12/13/06	1:1		product family PwrBlade code	
				appd	RYAN YUAN 12/13/06			size	
					BEER FU 12/13/06			dwg no	
					JOSEPH HSIA 12/13/06			51730-129	
sheet index	revision sheet							sheet	
								3 of 4	

cage code 22526

Pro/E

Tous droits strictement reserves. Reproduction ou communication a des tiers interdite sous quelque forme que ce soit sans autorisation écrite du propriétaire. Propriete de c FCI. Droits de reproduction FCI.



All rights strictly reserved. Reproduction or issue to third parties in any form whatever is not permitted without written authority from the proprietor. Property of FCI. Copyright FCI.

PRODUCT NUMBER  
51730-129--  
NOTE: 3

NOTES:

1. DIMENSIONS AND TOLERANCES ARE IN ACCORDANCE WITH ASME Y14.5M, 1994 UNLESS OTHERWISE SPECIFIED.

CONNECTOR NOTES:

- 2. HOUSING MATERIAL: UL 94 V-0 GLASS FILLED  
HIGH-TEMP THERMOPLASTIC  
POWER CONTACT MATERIAL: COPPER ALLOY  
SIGNAL PIN MATERIAL: COPPER ALLOY
- 3. 51730-129;51730-129LF;51730-129GLF PLATING SPEC. SEE PRINT:10064183
- 4. MANUFACTURER'S NAME, P/N, AND DATE CODE TO APPEAR ON THIS SURFACE.
- 5. PRODUCT SPECIFICATION GS-12-149.  
APPLICATION SPECIFICATION BUS-20-067.
- 6. PACKAGED IN TRAYS.

PCB NOTES:

- 7. ALL HOLE DIAMETERS ARE FINISHED HOLE SIZE.
- 8. MOUNTING HOLES, WHERE APPLICABLE, ARE UNPLATED.
- 9.  $\varnothing 1.151 \pm 0.025$  DRILLED HOLES PLATED WITH  
0.008 MIN SnPb OR Sn OVER 0.03  
TO 0.08 Cu PLATING TO ACHIEVE  
 $\varnothing 1.02 \pm .07$  HOLE.
- 10. "DIM XXX" TO BE DETERMINED BY THE CUSTOMER.
- 11. CONNECTOR KEEP-OUT ZONE.

mat'l code				SEE NOTE	tolerances unless otherwise specified	CUSTOMER	FCI www.fciconnect.com		
ltr	ecn no.	dr	date	linear	0.X ± 0.3	COPY	projection	title 2P + 8S + 2p RIGHT ANGLE SOLDER HEADER	
A					0.XX ± 0.13				
					0.XXX ± 0.051				
				angles	0° ± 2°	MIM	product family	PwrBlade	
				dr	JM GUO 12/13/06			code	213
				engr	RYAN YUAN 12/13/06			size	dwg no
				chr	BEER FU 12/13/06	scale	A	51730-129	
				appd	JOSEPH HSIA 12/13/06	1:1		sheet	
								4 of 4	
sheet index	revision sheet								

cage code 22526

Pro/E