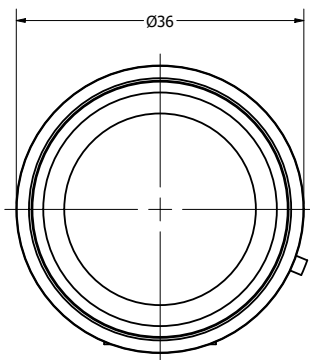
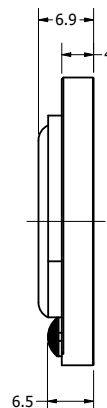


| | | |
|---|-----------------------------------|-----------|
| Part Number: | SW360308-1 | |
| | DRAWN | 3/24/2017 |
| | CHECKED | 10/2/2017 |
| Description: | P.D. | 10/2/2017 |
| | Waterproof Dynamic Speaker | APPROVED |
| | C.E. | 10/2/2017 |
| <small>This document contains data proprietary to DB Unlimited. Any use or reproduction, in any form, without prior written permission of DB Unlimited is prohibited. All terms and conditions can be found at www.dbunlimitedco.com</small> | | |

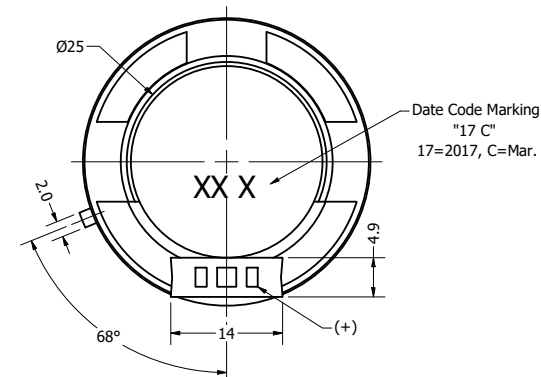
Top View



Side View



Bottom View



| Items | Specifications | Conditions | REVISION HISTORY | | | |
|-----------------------|----------------|-------------------|------------------|---|------------|----------|
| | | | REV | DESCRIPTION | DATE | APPROVED |
| Sound Pressure Level | 93 | dB (@ 10cm), Avg. | | Released from Engineering | 10/2/2017 | C.E. |
| Resonant Frequency | 500 | Hz | | Added polarity marking | 10/25/2017 | C.E. |
| Frequency Range | 500 ~ 10,000 | Hz | 1 | Update markings | 2/28/2018 | C.E. |
| Nominal Power | 2 | W | 2 | Updated resonant frequency and range | 4/30/2018 | C.E. |
| Max. Power | 2.5 | W | 3 | Updated temperatures | 2/15/2019 | C.E. |
| Impedance | 8 | Ω | 4 | Updated terminal board | 7/22/2022 | P.D. |
| Cone Material | Mylar | | 5 | | | |
| Mount Type | Flush Mount | | | NOTES | | |
| IP Rating | IP67 | | | 1) All dimensions are in mm unless otherwise noted | | |
| Storage Temperature | -20 ~ +70 | °C | | 2) All tolerances are ± 0.3 mm unless otherwise noted | | |
| Operating Temperature | -20 ~ +70 | °C | | 3) All parts meet RoHS | | |
| Weight | 13.5 | g | | 4) Subject to change or redrawn without notice | | |