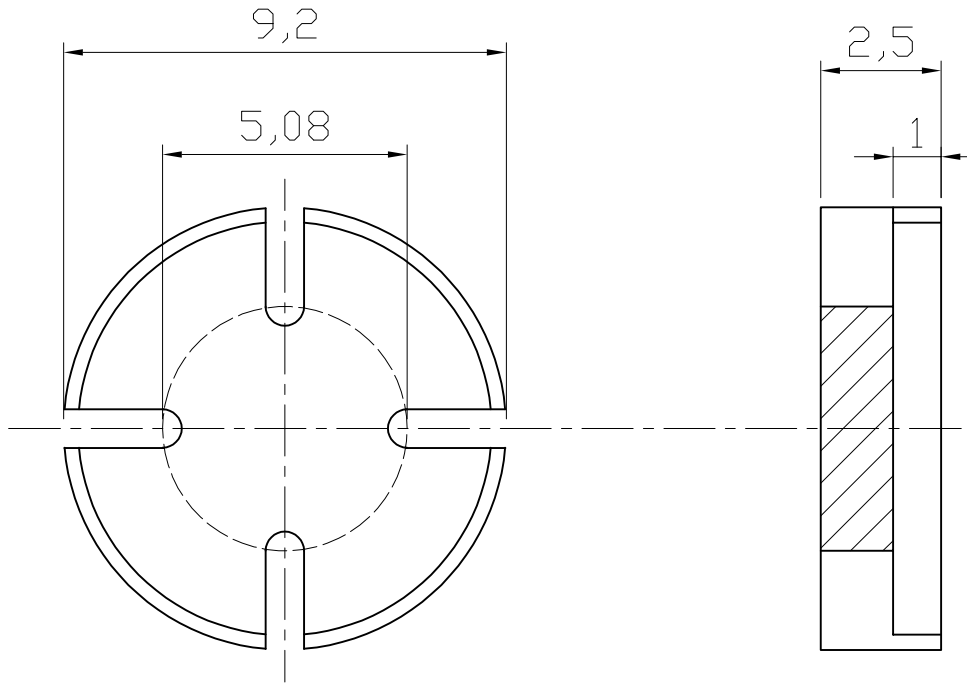


RoHS compliant



RoHS compliant  
Unit:mm

Material : PA 6

Scale	1:1					Date	Name	Customer-No.	
TOLERANCE		⑤	Change Material	01.07.2021	Larsen	Drawn	Dean	ASSMANN WSW-No. <b>V4555</b>	
X.	±X	④	Material specifications add.	23.10.2019	Lübke	Approved	Larsen		
X.X	±X	③	Material add.	31.05.2011	Schulz				
DIM	TOL	②	Modify drawing layout	10.03.2010	Alex			Drawing-No.	
X.°	±X°	①	Drawn	20.08.2009	Dean			ASS 0924 HS	rev05
X.X°	±X°							Replace	Sheet 1/1
Angle	TOL	Id.	Modification	Date	Name				

