

SIGN	DATE	DESCRIPTION	APPROVER
△	2012.10.03	USB 2.0 detail added	SHIN

THIS IS CAD DRAWING, DO NOT REVISE MANUALLY!!!

Material

- Housing: Nylon PA9T
- Flammability: UL94V-0
- Terminal: Phosphor Bronze
- Contact Plating: See options
- Shell: Brass
- Shell Plating: Nickel

Ratings

- Current: 1.5A
- Voltage: 250V AC(r.m.s.)
- Dielectric Voltage: 750V AC
- Contact Resistance: <30mΩ
- Insulation Resistance: >1,000 MΩ
- Operating Temperature: -55° - +85°
- Storage Temperature: -0° - +40°

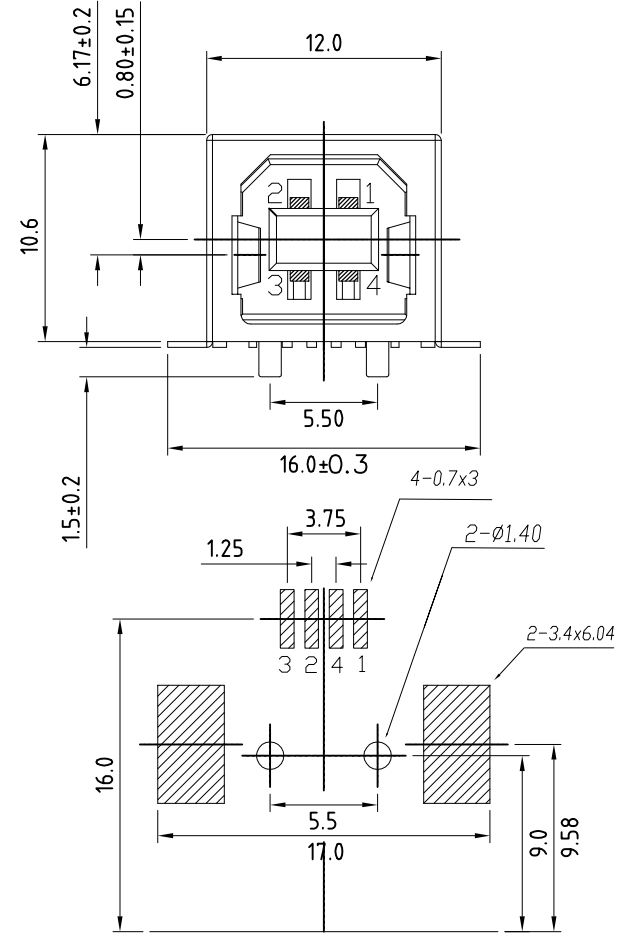
RoHS Compliant

PLATING:
 6: Selective Au Flash/50u" Ni
 8: Selective 30u" Au/50u" Ni (USB 2.0)

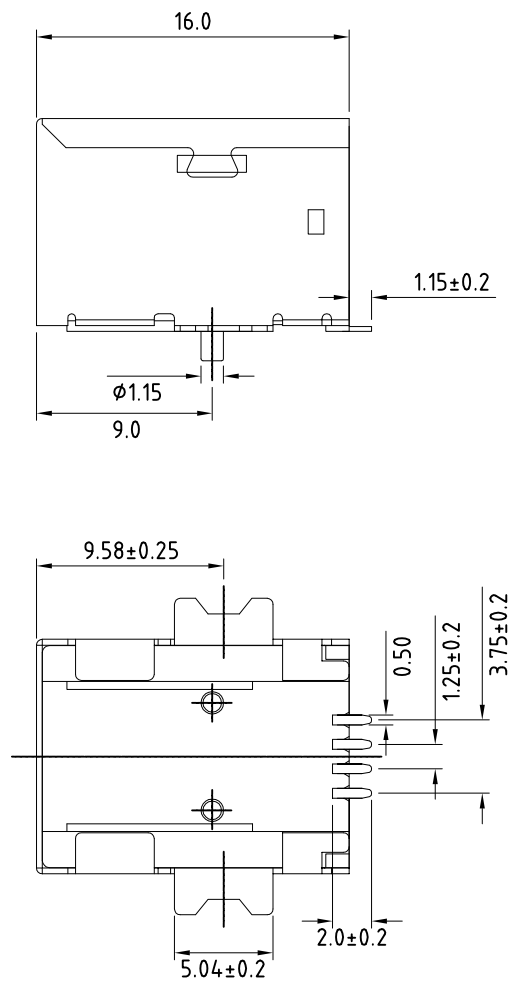
PART NUMBER:

USB-B1SMHSXX

COLOR:
 B: Black
 W: White



PCB EDGE
 PCB LAYOUT
 (COMPONENT SIDE)



THESE DRAWINGS AND SPECIFICATIONS ARE THE PROPERTY OF ON-SHORE TECHNOLOGY, INC. AND SHALL NOT BE REPRODUCED, COPIED OR USED IN ANY MANNER WITHOUT THE PRIOR WRITTEN CONSENT OF ON-SHORE TECHNOLOGY, INC.

TITLE		USB - B type, Horizontal, SMT	
PART NO.	USB-B1SMHSXX	DWG NO.	USB-B1SMHSXX.DWG
APPROVED	CHECKED	DESIGNED	DRAWN
Steven 2007.03.30	Marvin 2007.03.30	Marvin 2007.03.30	Marvin 2007.03.30
		3471	
		Tolerance	
		UNIT: mm	
		SCALE: NONE	
		X.* ±1°	
		X.X ±0.38	
		X.XX ±0.25	
		X.XXX ±0.13	
SHEET: 01/03		REV.: A	