
Wireless Valve Controller

Wireless Valve Controller

Wireless Sensor Network Based on LoRa Technology



RA10

Copyright©Netvox Technology Co., Ltd.

This document contains proprietary technical information which is the property of NETVOX Technology. It shall be maintained in strict confidence and shall not be disclosed to other parties, in whole or in part, without written permission of NETVOX Technology. The specifications are subject to change without prior notice.

Wireless Valve Controller

General Description

The RA10 is a Wireless Valve Controller for Netvox ClassA type devices based on the LoRaWAN open protocol and is compatible with the LoRaWAN protocol.

RA10 can control the valve open/close status remotely or manually

Working Principle

The module controls the motor drive IC TB6549F output state to control the motor forward or reverse.

Example Applications

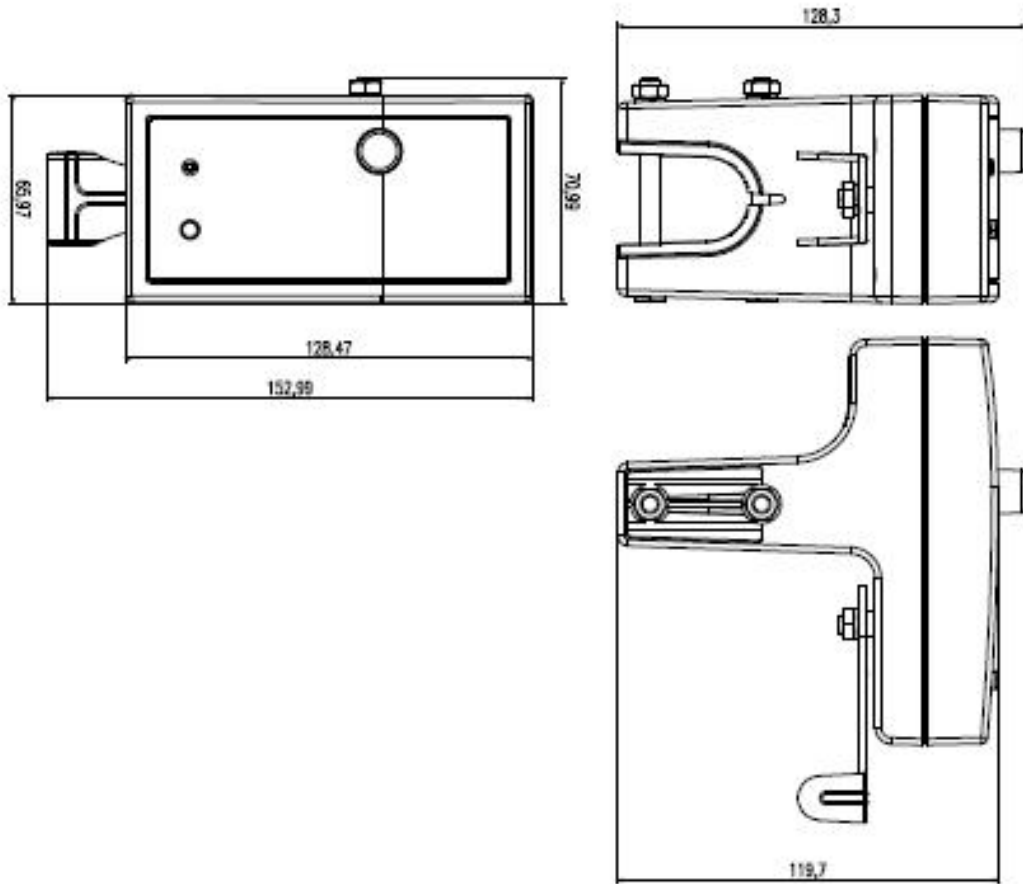
- Automatic irrigation

Features of NETVOX Sensors

- Uses SX1276 wireless communication module
- DC 12V Power supply
- Control the valve open/close status
- Compatible with LoRaWANTM Class C
- Frequency Hopping Spread Spectrum (FHSS)
- Improved interference immunity
- Configuration parameters can be configured via a third-party software platform, data can be read and alerts can be set via SMS text and email (optional)
- Applicable to third-party platforms: Actility/ThingPark, TTN, MyDevices/Cayenne

Wireless Valve Controller

Technical Specifications



Electric

Power Supply	DC 12V
Working Voltage	12 VDC
Standby Current	25 mA
Maximum Load Current Consumption	550 mA

Wireless Valve Controller

Frequency

Frequency Range	863MHz-928MHz 470MHz-510MHz
TX Power	US915 20dbm ; AS923 16dbm ; AU915 20dbm ; CN470 19.15dbm ; EU868 16dbm ; KR920 14dbm ; IN865 20dbm ;
Rx Sensitivity	-136dBm (LoRa, Spreading Factor=12, Bit Rate=293bps) -121dBm (FSK,Frequency deviation=5kHz, Bit Rate=1.2kbps)
Antenna Type	Build-in antenna
Communication Range	Up to 10 km, the actual transmission distance depends on the environment.
Data Transfer Rate	0.3kbps~50kbps
Spread Technique	LoRa/FSK
Available Frequency	EU863-870 , US902-928 , AU915-928 , KR920-923 , AS923 , CN470-510 Configured before shipment

Physical

Physical Size	152.99mm x 70.99mm x128.3mm
Operating Temperature	-20 ° C ~ 55 ° C
Storage Temperature	-40 ° C ~ 85 ° C
Ambient Humidity	<90% RH (non-condensing)
Applicable Pipe Diameter	6 British inch (3/4 US inch)
Actuating Arm Maximum Torque	7.5 kgf
Rotation Angle	90 degrees
Weight	Main 0.4 kg Adapter0.11 kg