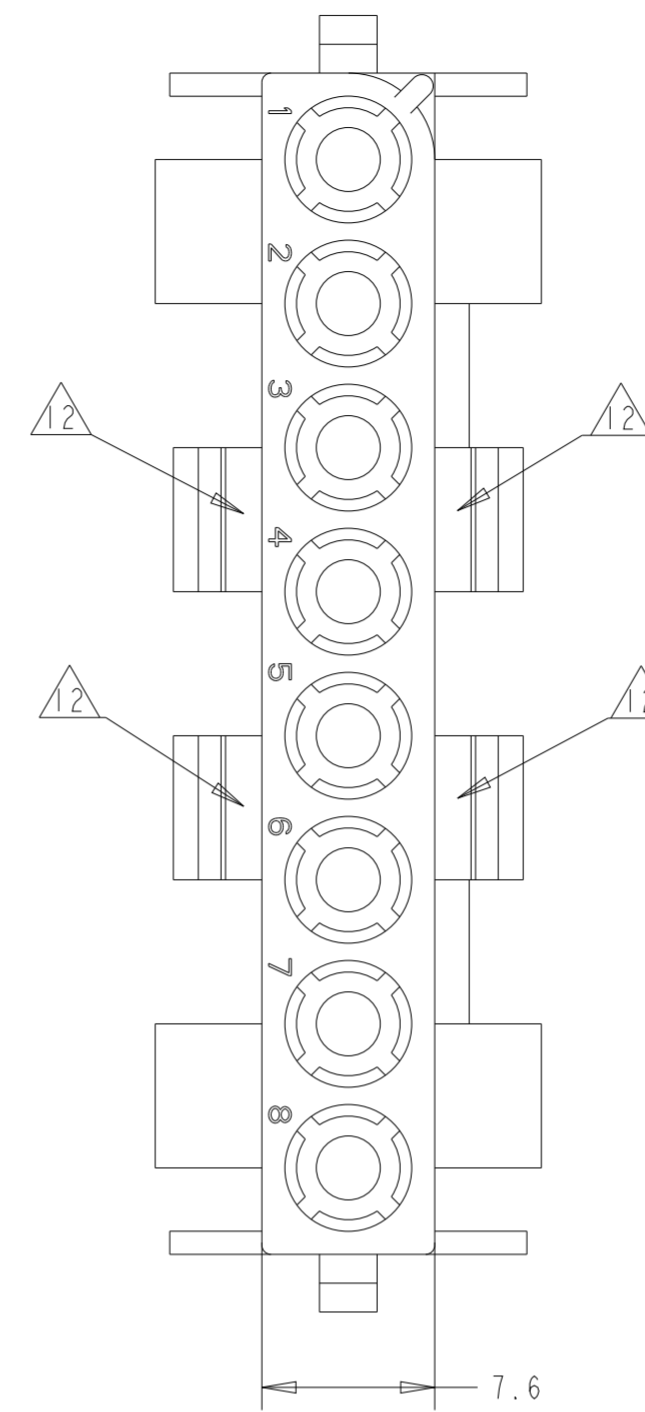
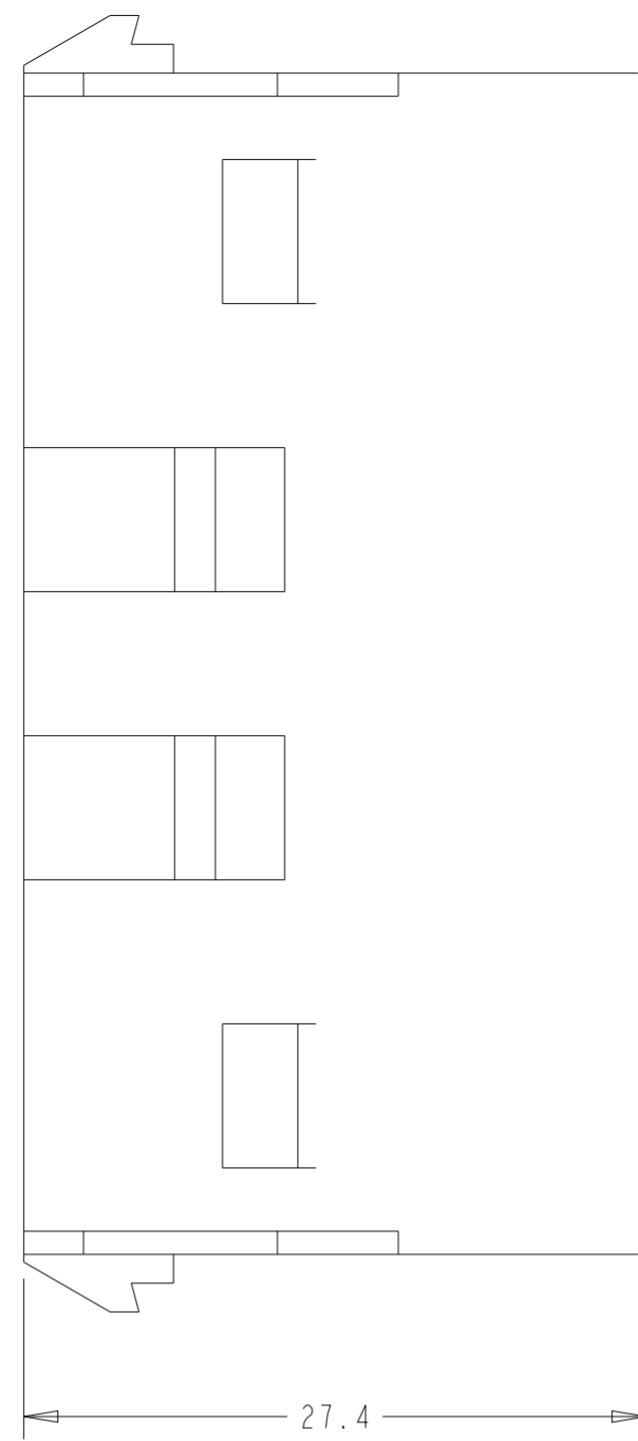
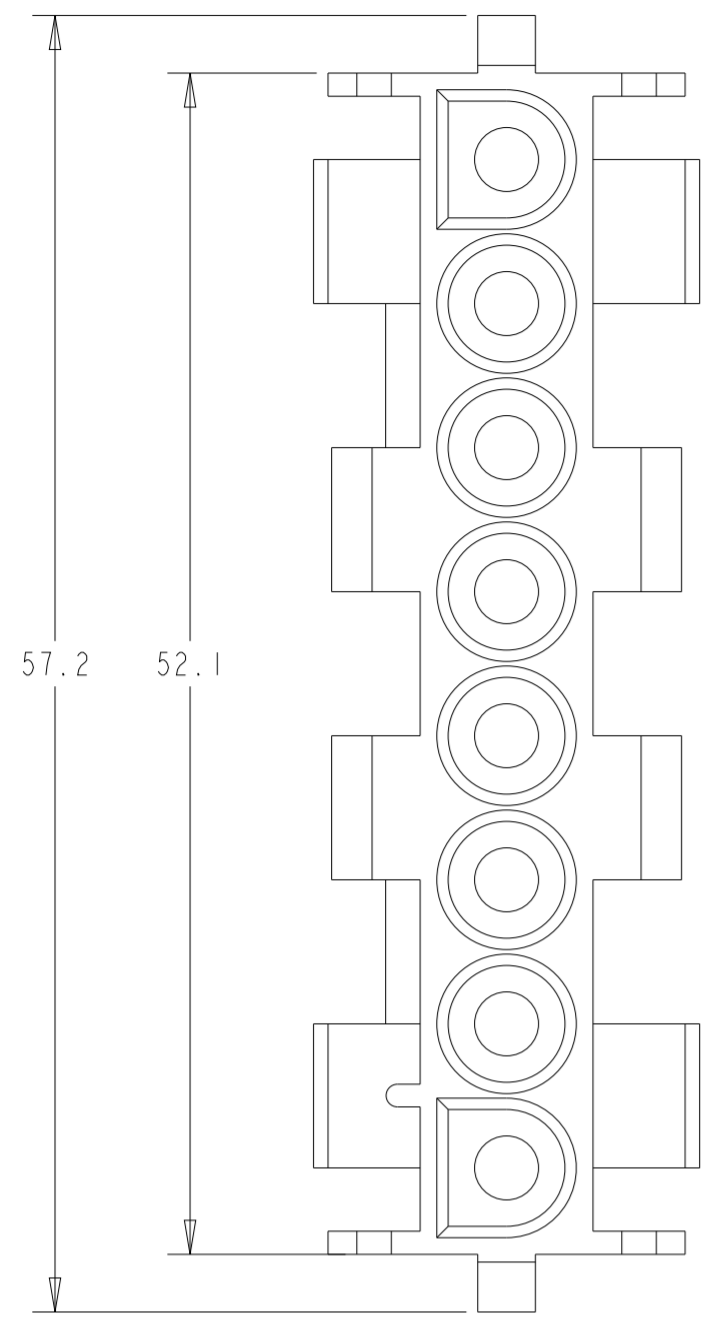
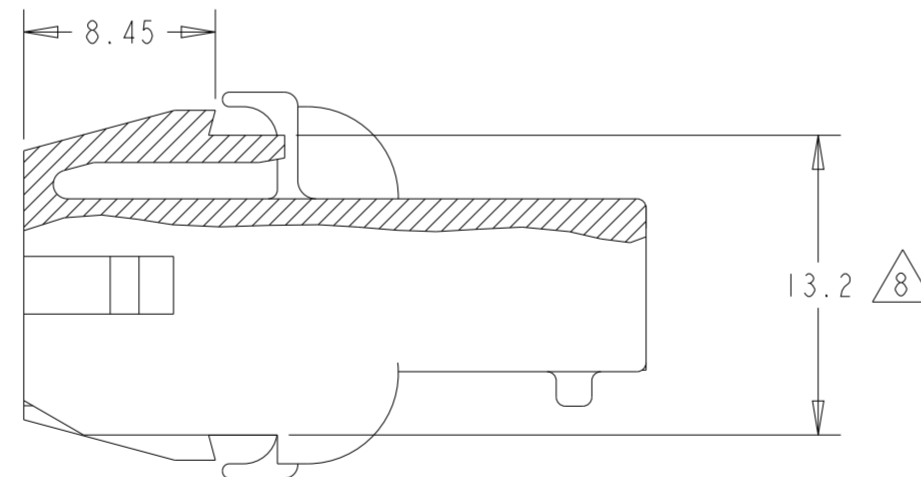
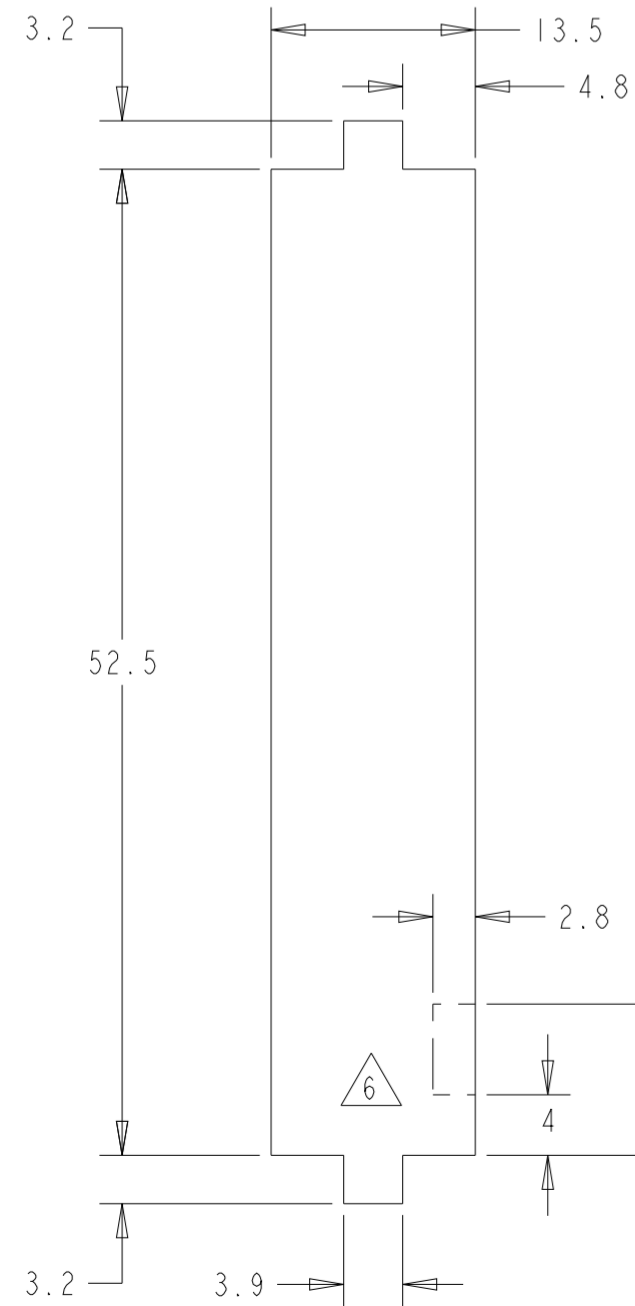


P	LTR	DESCRIPTION	DATE	DWN	APVD
H3		REVISED PER ECN-22-153644	12MAY2022	WLS	VS
H4		REVISED PER ECN-22-154421	17MAY2022	WLS	VS



- 1 SUITABLE FOR UMNL PIN AND SOCKET CONTACTS.
- 2 MATCHES WITH UMNL PLUG HOUSING PN 926301, 640582 AND 640586.
- 3 RECOMMENDED SHEET METAL THICKNESS FROM 0.75 TO 2.30 mm.
- 4 HOUSING MUST BE INSERTED TO PUNCHING DIRECTION.
- 5 FOR POLARIZED USING OF THE HOUSINGS.
- 6 POSITION OF THE WAY 1 FOR POLARIZED USING.
- 7 PHOSPHOR AND HALOGENOUS FREE.
- 8 TOLERANCE TO KEEP WHEN ASSEMBLING IN THE PANEL CUTOUT.
- 9 BULK PACKAGING IN PLASTIC BAG AND CORRUGATED SHIPPING BOX PN 973057-2.
- 10 GWT 750° (WITHOUT FLAME) ACC. IEC 60335-1 EDITION 06/2001.
- 11 COLOR OF HOUSINGS MAY RANGE FROM CLEAR TO GREEN OR YELLOW DUE TO HYGROSCOPIC NATURE OF RESIN. HOWEVER IT DOESN'T AFFECT THE FORM, FIT AND FUNCTION OF THE PRODUCT.
- 12 CSA CERTIFICATION LOGO LOCATED ONCE ON ANY INDICATED SURFACE APPROXIMATELY AS SHOWN.
- 13 DIMENSIONS SHOWN REPRESENT PRODUCT IN DRY, AS MOLDED, CONDITION. ADDITIONAL 2% GROWTH DUE TO SUBSEQUENT MOISTURE ABSORPTION MAY OCCUR AND SHOULD BE ACCOUNTED FOR.



SECTION C-C

PANEL CUT-OUT (COMPONENT SIDE)

OBSOLETE	— PA6 UL94 V-0	NATURAL	926308-5
OBSOLETE	— PA6.6 UL94 V-0	WHITE	926308-4
	PA6.6 UL94 V0	WHITE	926308-3
OBSOLETE	— PA6.6 UL94 V-0	BLACK	926308-2
	PA6.6 UL94 V2	NATURAL	926308-1
	MATERIAL	COLOUR	PART NO.

THIS DRAWING IS A CONTROLLED DOCUMENT.		DWN	06APR2022	TE Connectivity	
		CHK	07APR2022		
		APVD	08APR2022		
		NAME	RICK		
DIMENSIONS: mm		PRODUCT SPEC		UMNL 8 WAY CAP HOUSING	
TOLERANCES UNLESS OTHERWISE SPECIFIED:		APPLICATION SPEC		-	
0 PLC ±0.2		114-1010		SIZE	
1 PLC ±0.2		WEIGHT		A2	
2 PLC ±0.2		-		CAGE CODE	
3 PLC ±		CUSTOMER DRAWING		00779	
4 PLC ±		SCALE		DRAWING NO	
ANGLES ±		3:1		G-926308	
FINISH		SHEET		RESTRICTED TO	
SEE THE TABLE		1 OF 1		-	
SEE THE TABLE		REV		H4	