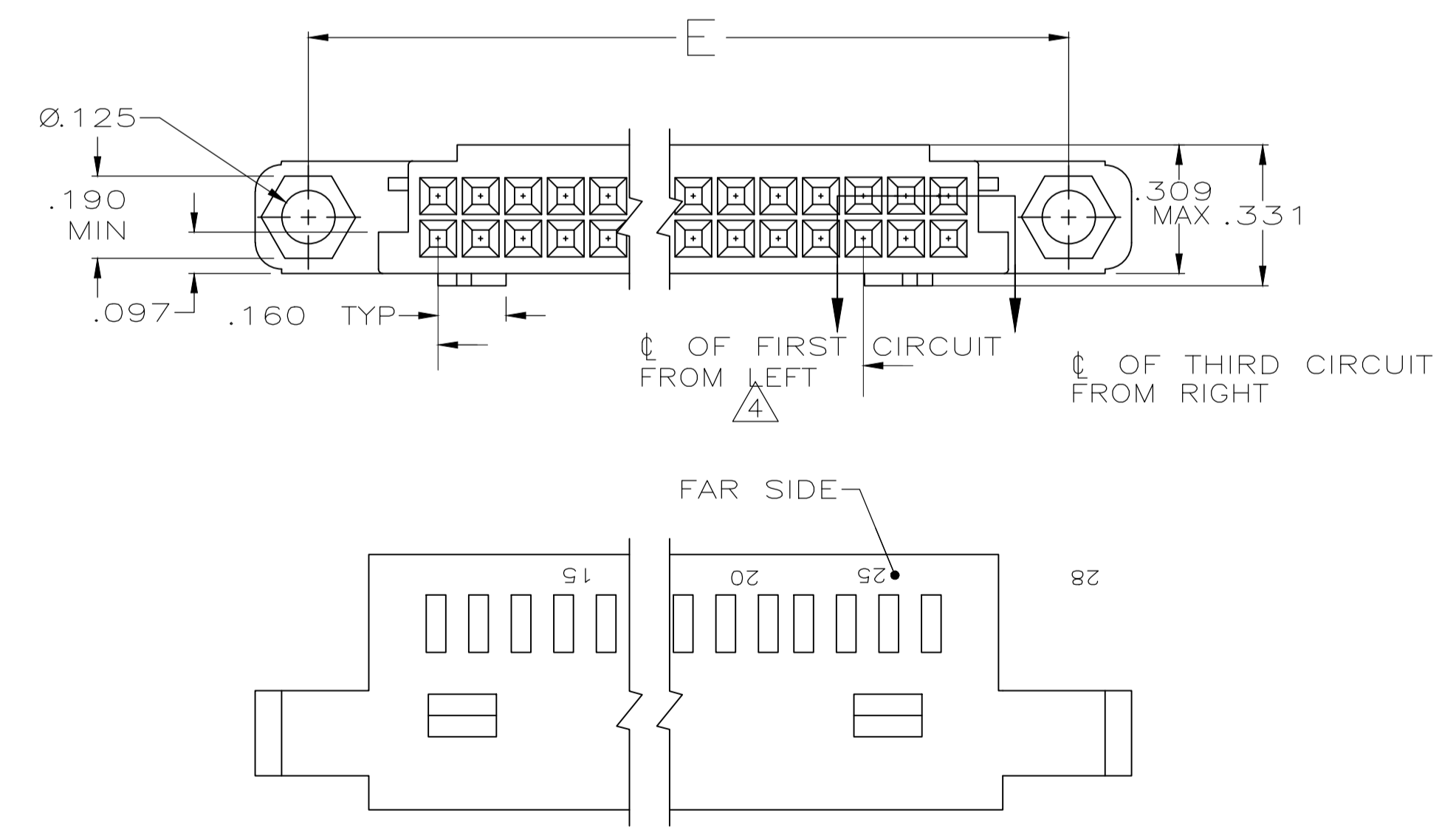
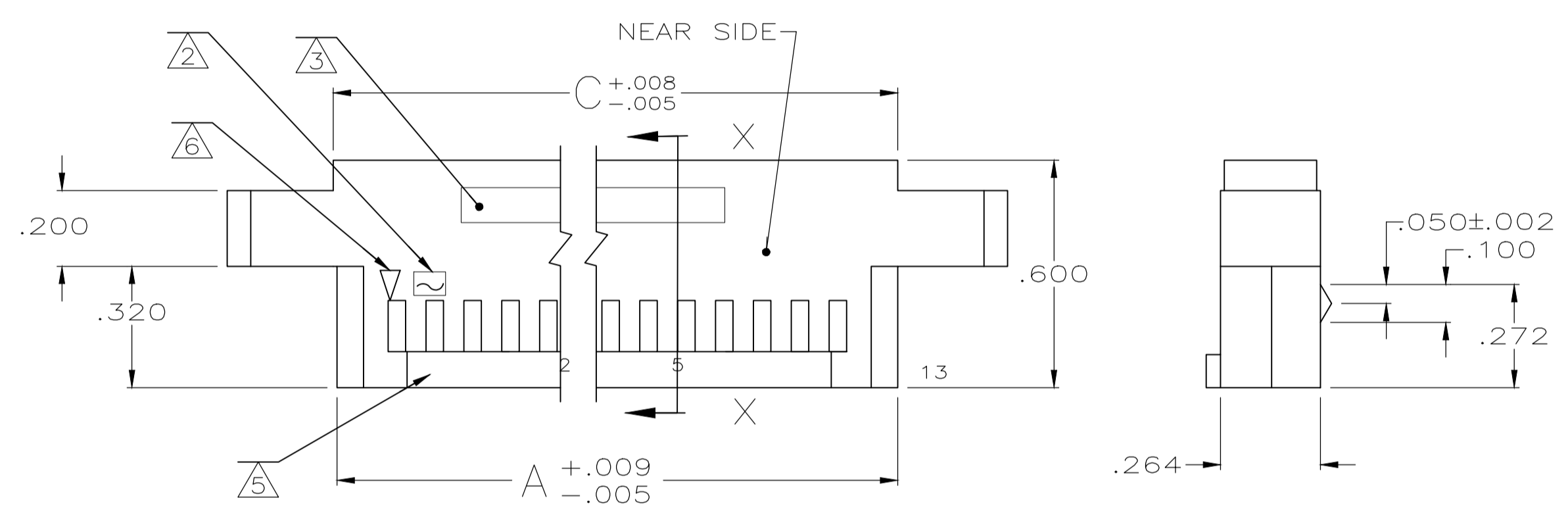
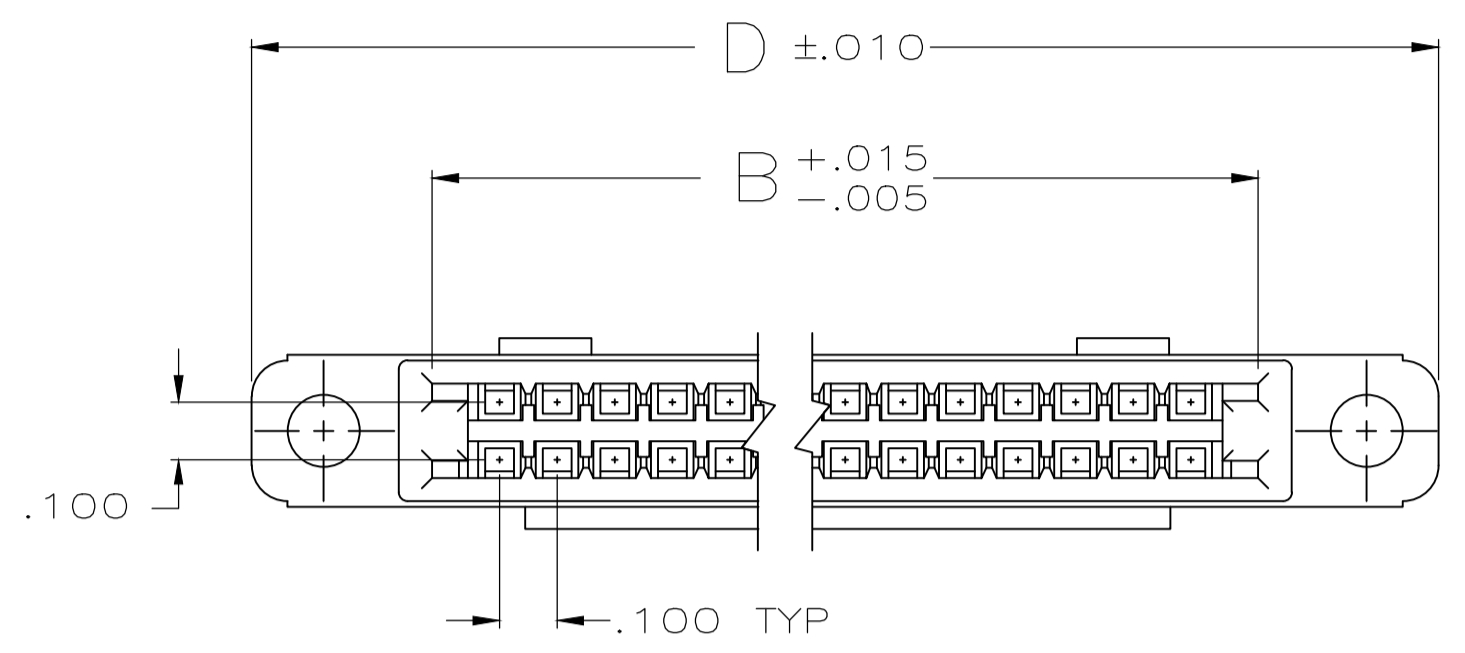


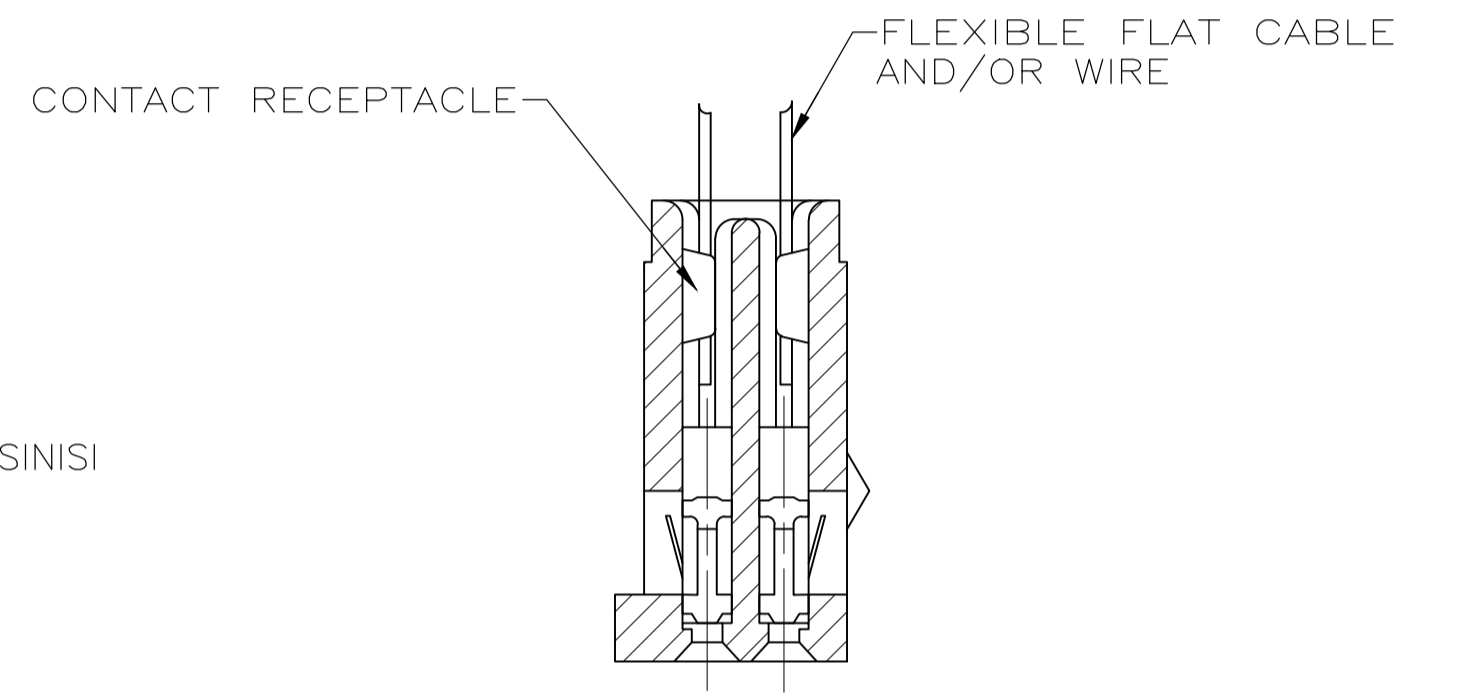
REVISIONS				
P	LTR	DESCRIPTION	DATE	BY
AF	ECR-19-016583		25OCT2019	H.X   W.H



1. HOUSING WILL ACCOMMODATE FLEXIBLE FLAT CABLE, .050 OR .062 WIDE CONDUCTORS .100±.005 CENTERS (CABLE= .015 MAX. THK.) AND/OR #22-#32 AWG WIRE WITH INSULATION OF .069 MAX.

- ② AMP TRADEMARK MOLDED IN THIS AREA
- ③ PART NO. AND DATE CODE TO BE LASER MARKED.
- ④ DETENTS: 6,10,12,16, & 18 POSITION, (1) DETENT LOCATED AS FOLLOWS:  
 6 POSN-  $\phi$  OF THIRD CIRCUIT FROM RIGHT.  
 10 & 12 POSN-  $\phi$  OF FOURTH CIRCUIT FROM RIGHT.  
 16 POSN-  $\phi$  OF FIFTH CIRCUIT FROM RIGHT.  
 18 POSN-  $\phi$  OF SIXTH CIRCUIT FROM RIGHT.  
 20 POSN & ABOVE- (2) DETENTS LOCATED AS SHOWN.

- ⑤ CAVITY IDENT TO BE LASER MARKED, (SEE TABLE)
- ⑥ INDICATES POSITION 1
- ⑦ OBSOLETE PART NO.
- ⑧ SUPERSEDED BY AS MOLDED PART NUMBER.
- ⑨ OBSOLETE PARTS: OBSOLETE CIS STREAMLINING PER D.RENAUD/D.SINISI



⑧ 3-88637-8	2,5,10,16,	18,25,30,34	2.210	2.460	1.950	1.834	1.880	34	⑧ 3-88637-7
⑧ 3-88637-6	2,5,10,15,20,25,30,34	36,40,45,50,55,60,65,70	4.010	4.260	3.750	3.634	3.680	70	3-88637-5
3-88637-4	2,5,10,15,20,25,32,	34,40,45,50,55,60,66	3.810	4.060	3.550	3.434	3.480	66	3-88637-3
3-88637-2	2,5,10,15,20,25,29,	31,35,40,45,50,55,60	3.510	3.760	3.250	3.134	3.180	60	3-88637-1
3-88637-0	2,5,10,15,20,25,28	30,35,40,45,50,55,58	3.410	3.660	3.150	3.034	3.080	58	2-88637-9
⑧ 2-88637-8	2,5,10,15,20,24	26,30,35,40,45,50	3.010	3.260	2.750	2.634	2.680	50	2-88637-7
2-88637-6	2,5,10,15,21,	23,30,35,40,44	2.710	2.960	2.450	2.334	2.380	44	2-88637-5
2-88637-4	2,5,10,15,19,	21,25,30,35,40	2.510	2.760	2.250	2.134	2.180	40	2-88637-3
⑧ 2-88637-2	2,5,10,15,18,	20,25,30,35,38	2.410	2.660	2.150	2.034	2.080	38	2-88637-1
⑧ 2-88637-0	2,5,10,17,	19,25,30,36	2.310	2.560	2.050	1.934	1.980	36	⑧ 1-88637-9
⑧ 1-88637-8	2,5,10,13,	15,20,25,28	1.910	2.160	1.650	1.534	1.580	28	1-88637-7
⑧ 1-88637-6	2,5,12	14,20,26	1.810	2.060	1.550	1.434	1.480	26	1-88637-5
⑧ 1-88637-4	2,5,11,	13,20,24	1.710	1.960	1.450	1.334	1.380	24	1-88637-3
⑧ 1-88637-2	2,5,9,	11,15,20	1.510	1.760	1.250	1.134	1.180	20	1-88637-1
⑧ 1-88637-0	2,5,8,	10,15,18	1.410	1.660	1.150	1.034	1.080	18	⑧ 88637-9
⑧ 88637-8	2,4	8,10	1.010	1.260	.750	.634	.680	10	⑧ 88637-7
⑧ 88637-6	2	4,6	.810	1.060	.550	.434	.480	6	⑧ 88637-5
⑧ 88637-4	2,5,7,	9,16	1.310	1.560	1.050	.934	.980	16	⑧ 88637-3
⑧ 88637-2	2,5	7,10,12	1.110	1.360	.850	.734	.780	12	⑧ 88637-1

LASER MARKED PART NO	NEAR SIDE	FAR SIDE	E	D	C	B	A	NO. OF POSN	AS MOLDED PART NO
⑧ ⑧	CAVITY POSN. NO. STAMPED ⑧								

THIS DRAWING IS A CONTROLLED DOCUMENT.

DIMENSIONS: INCHES. FLAME COLOR: BLACK. TOLERANCES UNLESS OTHERWISE SPECIFIED: 0 PLC ± .005, 1 PLC ± .005, 2 PLC ± .005, 3 PLC ± .005, 4 PLC ± .005, ANGLES ± .005.

MATERIAL: NYLON. FINISH: -

WEIGHT: 0.000000. A1 00779 C=88637

CUSTOMER DRAWING. SCALE: 3:1. SHEET: 1 OF 1. REV: AF

DWN: KATE HELM 11/02/88. CHK: D L ROCKER 2-24-89. APVD: G D MILLER 2-24-89. NAME: HOUSING, RCPT, DBL ROW WITH DETENTS, .100 CENTER LINE, FFC. PRODUCT SPEC: -. APPLICATION SPEC: -. SIZE: A1. CAGE CODE: 00779. DRAWING NO: 88637. RESTRICTED TO: -

STE TE Connectivity