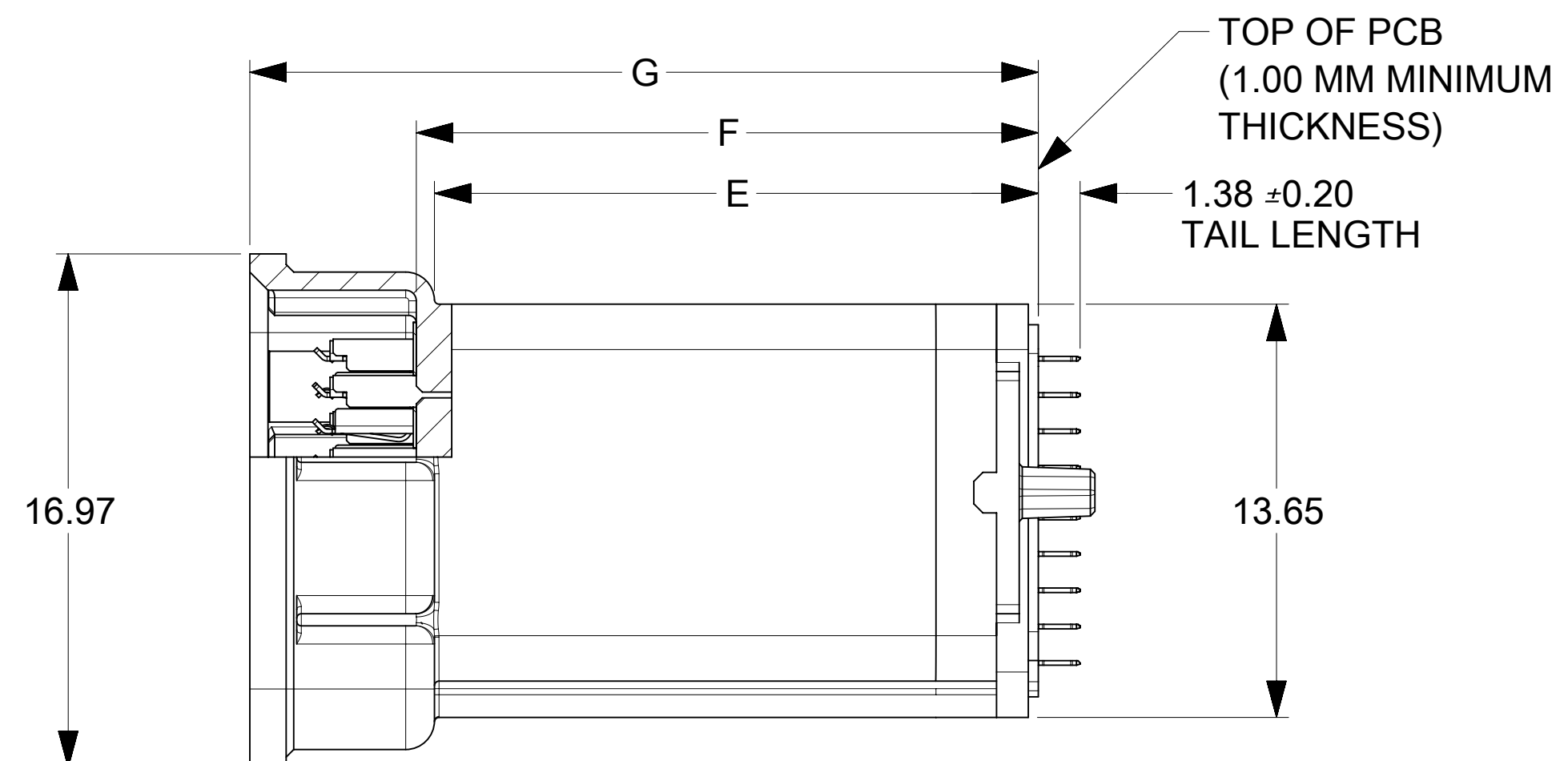
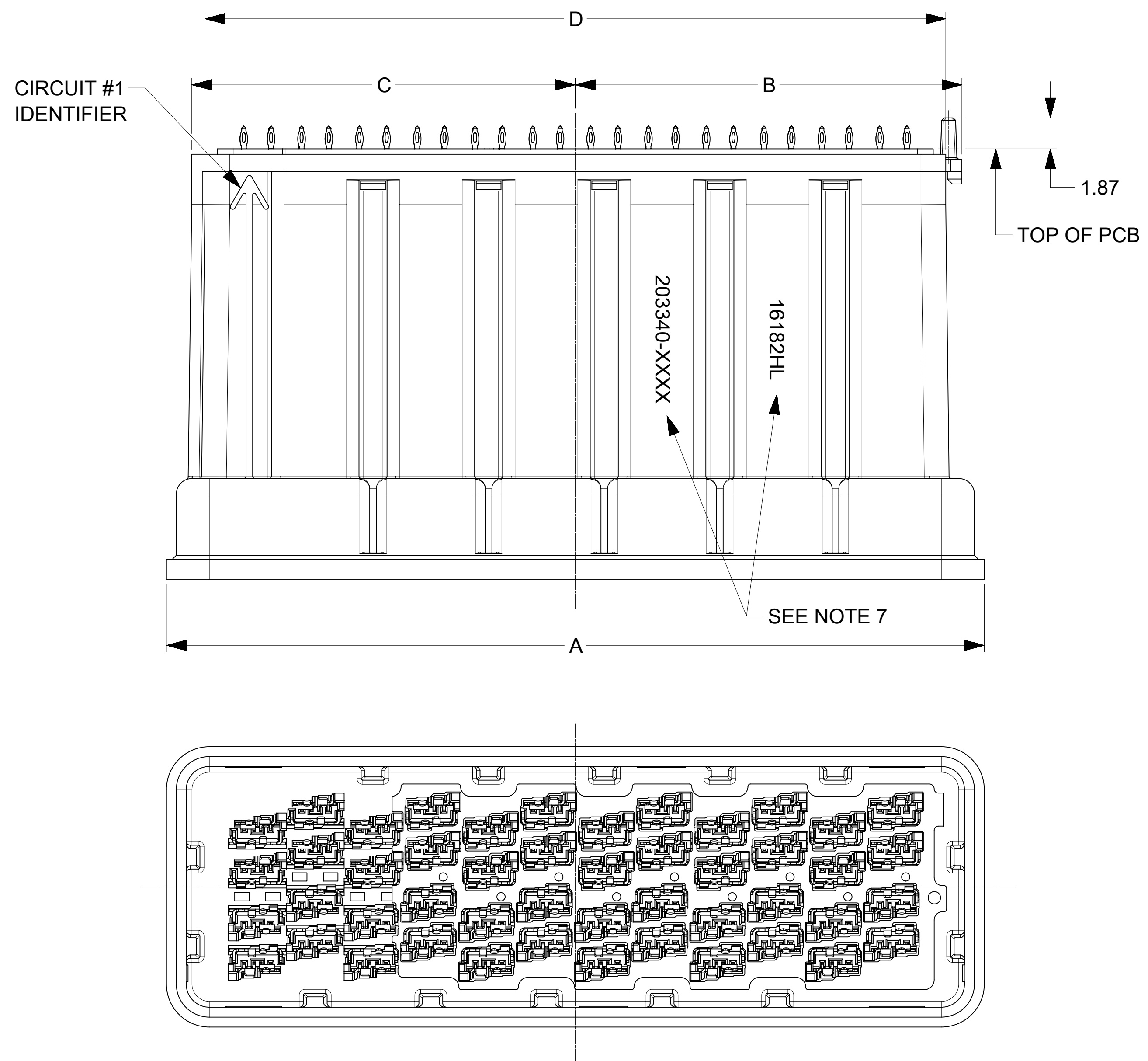


# 203340-0002 RECEPTACLE ASSEMBLY SHOWN

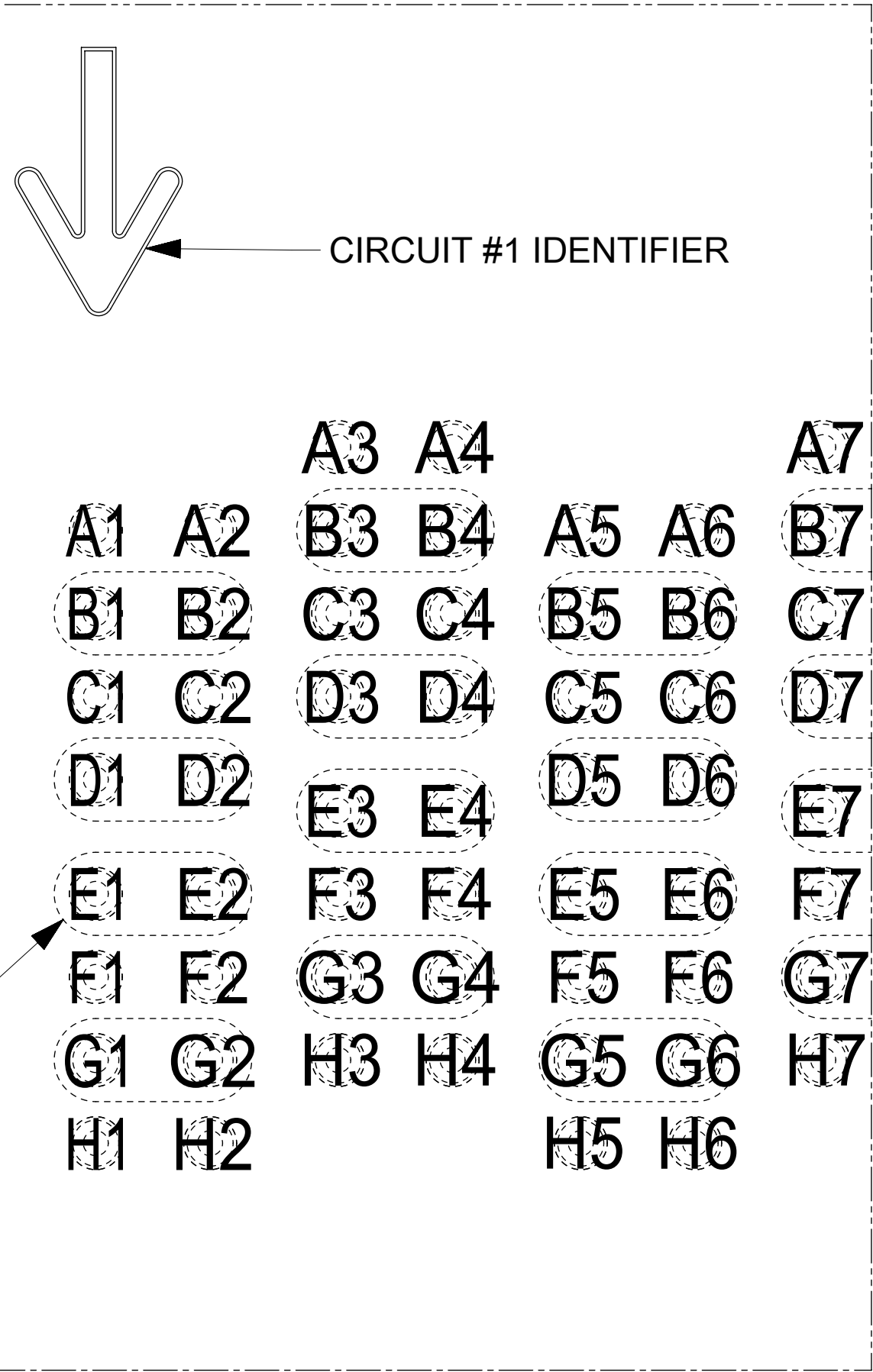
**NOTES:**

- HOUSING MATERIAL: LCP, GLASS FILLED, UL 94V-0, BLACK  
CONTACT MATERIAL: HIGH PERFORMANCE COPPER ALLOY
- FINISH:  
CONTACTS: SELECTIVE GOLD: 30 MICRO INCHES MINIMUM ON CONTACT AREA  
SELECTIVE TIN: ON COMPLIANT PIN OVER 50 MICRO INCHES MINIMUM NICKEL OVERALL
- PRODUCT SPECIFICATION: 2033400001-PS
- PACKAGING SPECIFICATION: 2033409000-PK
- APPLICATION SPECIFICATION: AS-172801-0001
- THIS PART CONFORMS TO CLASS B REQUIREMENTS OF MOLEX COSMETIC SPECIFICATION PS-45499-002.
- PARTS ARE TO BE MARKED WITH THE PART NUMBER AND DATE CODE. FORMAT IS 2 DIGIT YEAR, 3 DIGIT DAY, 1 DIGIT HOUR (IF NEEDED), AND 1 DIGIT ASSEMBLY LINE (IF NEEDED) BY MARKING THE HOUSING AS SHOWN.



| MATERIAL NUMBER | HEIGHT | NO. OF COLUMNS | DIM A | DIM B | DIM C | DIM D | DIM E | DIM F | DIM G | LOCATING PEG | TOOLED | MATES TO   |
|-----------------|--------|----------------|-------|-------|-------|-------|-------|-------|-------|--------------|--------|------------|
| 2033400002      | 22.5   | 12             | 49.52 | 23.40 | 23.23 | 44.85 | 19.95 | 20.55 | 26.05 | YES          | YES    | 2033410002 |

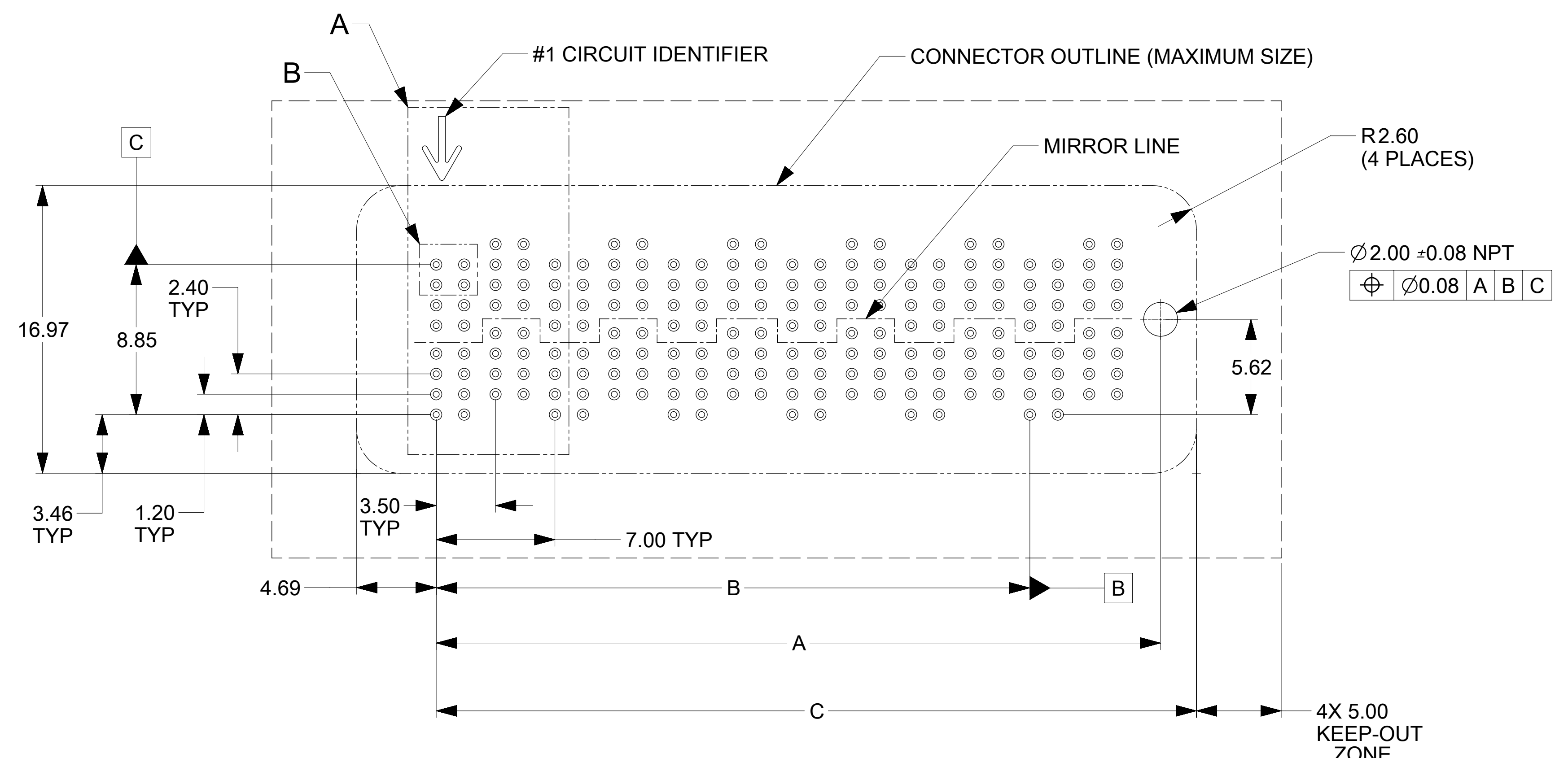
|   |  |  |  |              |  |   |  |                            |  |          |  |              |  |
|---|--|--|--|--------------|--|---|--|----------------------------|--|----------|--|--------------|--|
| THIS DRAWING CONTAINS INFORMATION THAT IS PROPRIETARY TO MOLEX ELECTRONIC TECHNOLOGIES, LLC AND SHOULD NOT BE USED WITHOUT WRITTEN PERMISSION |  |  |  |              |  |   |  |                            |  |          |  |              |  |
| SYMBOLS   |  | DIMENSION UNITS                                      |  | SCALE        |  | CURRENT REV DESC: INITIAL RELEASE   |  |                            |  |          |  |              |  |
| ▽ = 0   |  | mm   |  | 5:1          |  | <p><b>molex</b></p> <p>NEOPRESS 4 ROW RECEPTACLE ASSY, 85 OHM</p> <p>PRODUCT CUSTOMER DRAWING</p> <p>DOCUMENT NUMBER: 2033400008    DOC TYPE: PSD    DOC PART: 000    REVISION: A</p> |  |                            |  |          |  |              |  |
| ▽ = 0   |  | GENERAL TOLERANCES (UNLESS SPECIFIED)                |  |              |  |   |  |                            |  |          |  |              |  |
| ▽ = 0   |  | ANGULAR TOL ± °                                      |  |              |  |   |  |                            |  |          |  |              |  |
| ▽ = 0   |  | 4 PLACES ±   |  |              |  |   |  |                            |  |          |  |              |  |
| ▽ = 0   |  | 3 PLACES ±   |  |              |  |   |  |                            |  |          |  |              |  |
| ▽ = 0   |  | 2 PLACES ± 0.15                                      |  |              |  | EC NO: 174727   |  |                            |  |          |  |              |  |
| ▽ = 0   |  | 1 PLACE ±  |  |              |  | DRWN: TPREMO    2018/04/06  |  |                            |  |          |  |              |  |
| ▽ = 0   |  | 0 PLACES ±   |  |              |  | CHK'D: KLANG    2018/04/09  |  |                            |  |          |  |              |  |
| □ = 0   |  | DRAFT WHERE APPLICABLE MUST REMAIN WITHIN DIMENSIONS |  |              |  | APPR: KLANG    2018/04/09   |  |                            |  |          |  |              |  |
| ▽ = 0   |  | THIRD ANGLE PROJECTION                               |  | DRAWING      |  | SERIES  |  | INITIAL REVISION:          |  |          |  |              |  |
|   |  | D-SIZE   |  | 203340       |  | DRWN: TPREMO    2018/04/06  |  | DRWN: TPREMO    2018/04/09 |  |          |  |              |  |
|   |  |  |  |              |  | APPR: KLANG    2018/04/09   |  | APPR: KLANG    2018/04/09  |  |          |  |              |  |
| DOCUMENT STATUS   |  | P1   |  | RELEASE DATE |  | 2018/04/09 16:09:47   |  | MATERIAL NUMBER            |  |          |  |              |  |
|   |  |  |  |              |  |   |  | SEE TABLE                  |  | CUSTOMER |  | SHEET NUMBER |  |
|   |  |  |  |              |  |   |  | GENERAL MARKET             |  |          |  | 1 OF 2       |  |



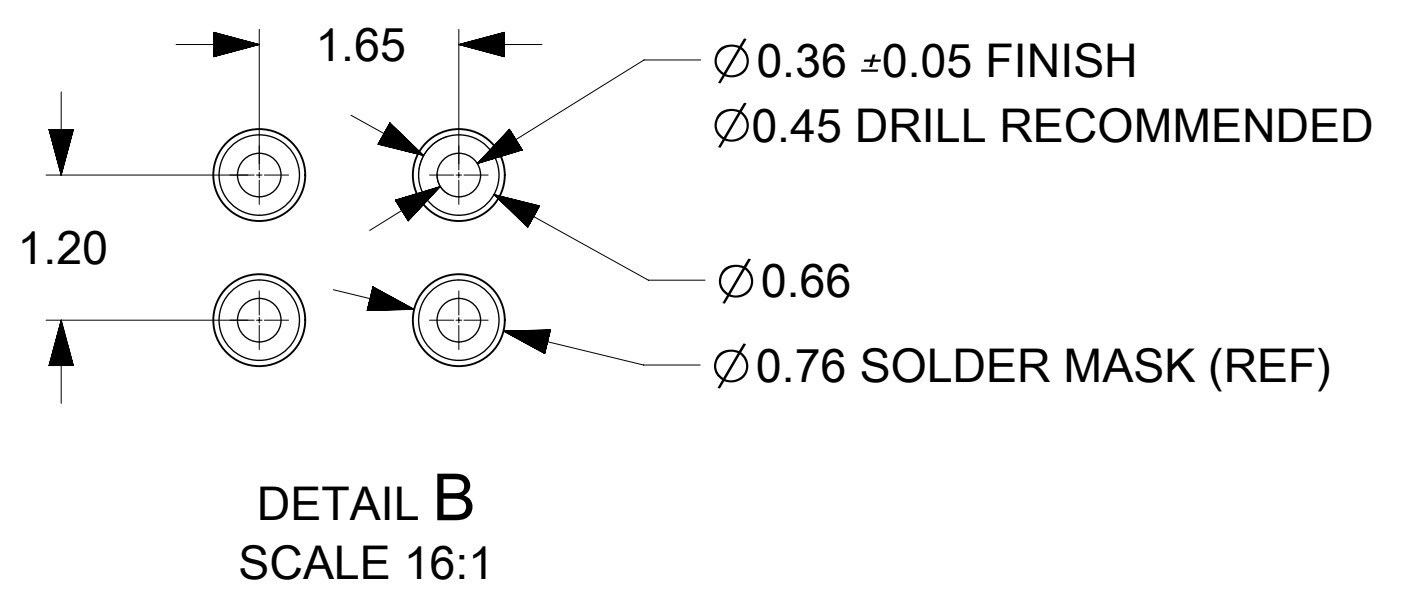
|    |    |    |    |    |    |    |
|----|----|----|----|----|----|----|
|    |    | A3 | A4 |    |    | A7 |
| A1 | A2 | B3 | B4 | A5 | A6 | B7 |
| B1 | B2 | C3 | C4 | B5 | B6 | C7 |
| C1 | C2 | D3 | D4 | C5 | C6 | D7 |
| D1 | D2 | E3 | E4 | D5 | D6 | E7 |
| E1 | E2 | F3 | F4 | E5 | E6 | F7 |
| F1 | F2 | G3 | G4 | F5 | F6 | G7 |
| G1 | G2 | H3 | H4 | G5 | G6 | H7 |
| H1 | H2 |    |    | H5 | H6 |    |

DETAIL A  
SCALE 12:1  
NUMBERING SCHEME

CIRCLED VIAS ARE CONNECTED TO THE SAME SHIELD TERMINAL. ALSO, ALL SHIELD VIAS ARE ELECTRICALLY INTERCONNECTED INSIDE THE CONNECTOR. (SEE TABLE FOR EXCEPTIONS FOR POWER TERMINALS\*. THE LOW SPEED TRIADS SHIELD TERMINALS MUST BE USED FOR GROUNDS ONLY AND MAY BE CONNECTED TO OTHER SHIELDS IN THIS CONNECTOR EXCEPT THE ELECTRICALLY ISOLATED SHIELDS).



FOOT PRINT SHOWN 4X12  
FOOT PRINT NOTES:  
1. DATUM -A- IS THE TOP OF THE PCB  
2. ALL DIMENSIONS ARE BASIC



DETAIL B  
SCALE 16:1

| MATERIAL NUMBER | NO. OF COLUMNS | DIM A | DIM B | DIM C | ELECTRICALLY ISOLATED SHIELDS *                                     | LOW SPEED TRIADS *                |
|-----------------|----------------|-------|-------|-------|---|-----------------------------------|
| 2033400002      | 12             | 42.68 | 35.00 | 44.82 | COLUMN 1: B1,B2,D1,D2,E1,E2,G1,G2 COLUMN2: B3,B4,D3,D4,E3,E4, G3,G4 | COLUMN 3: B5,B6,D5,D6,E5,E6,G5,G6 |

|                 |   |                     |                                   |  |   |
|-----------------|---|---------------------|-----------------------------------|--|---|
| SYMBOLS         | THIS DRAWING CONTAINS INFORMATION THAT IS PROPRIETARY TO MOLEX ELECTRONIC TECHNOLOGIES, LLC AND SHOULD NOT BE USED WITHOUT WRITTEN PERMISSION |                     | CURRENT REV DESC: INITIAL RELEASE |  | <b>molex</b>                              |
|                 | DIMENSION UNITS   | SCALE               |                                   |  |   |
| ▽ = 0           | mm  | 1:1                 |                                   |  | NEOPRESS 4 ROW RECEPTACLE ASSY,<br>85 OHM |
| ▽ = 0           | GENERAL TOLERANCES (UNLESS SPECIFIED)   |                     | EC NO: 174727                     |  | PRODUCT CUSTOMER DRAWING                  |
| ▽ = 0           | ANGULAR TOL ± °   |                     | DRWN: TPREMO 2018/04/06           |  |   |
| ▽ = 0           | 4 PLACES ±  |                     | CHK'D: KLANG 2018/04/09           |  | DOCUMENT NUMBER                           |
| ▽ = 0           | 3 PLACES ±  |                     | APPR: KLANG 2018/04/09            |  |   |
| ▽ = 0           | 2 PLACES ± 0.15   |                     | INITIAL REVISION:                 |  | DOC TYPE                                  |
| ▽ = 0           | 1 PLACE ±   |                     | DRWN: TPREMO 2018/04/06           |  |   |
| ▽ = 0           | 0 PLACES ±  |                     | APPR: KLANG 2018/04/09            |  | DOC PART                                  |
| ▽ = 0           | DRAFT WHERE APPLICABLE MUST REMAIN WITHIN DIMENSIONS  |                     | THIRD ANGLE PROJECTION            |  |   |
| ▽ = 0           |   |                     | DRAWING SERIES                    |  | REVISION                                  |
| ▽ = 0           |   |                     | D-SIZE 203340                     |  |   |
| DOCUMENT STATUS |   |                     | MATERIAL NUMBER                   |  | SHEET NUMBER                              |
| P1              | RELEASE DATE  | 2018/04/09 16:09:47 | 2033400008                        |  |   |
|                 |   |                     | CUSTOMER                          |  | GENERAL MARKET                            |
|                 |   |                     | SEE TABLE                         |  |   |
|                 |   |                     | GENERAL MARKET                    |  | 2 OF 2                                    |