

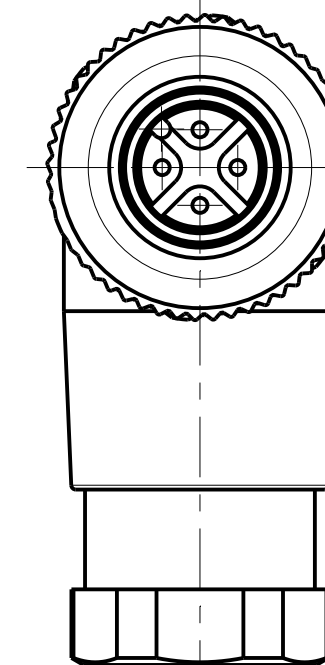
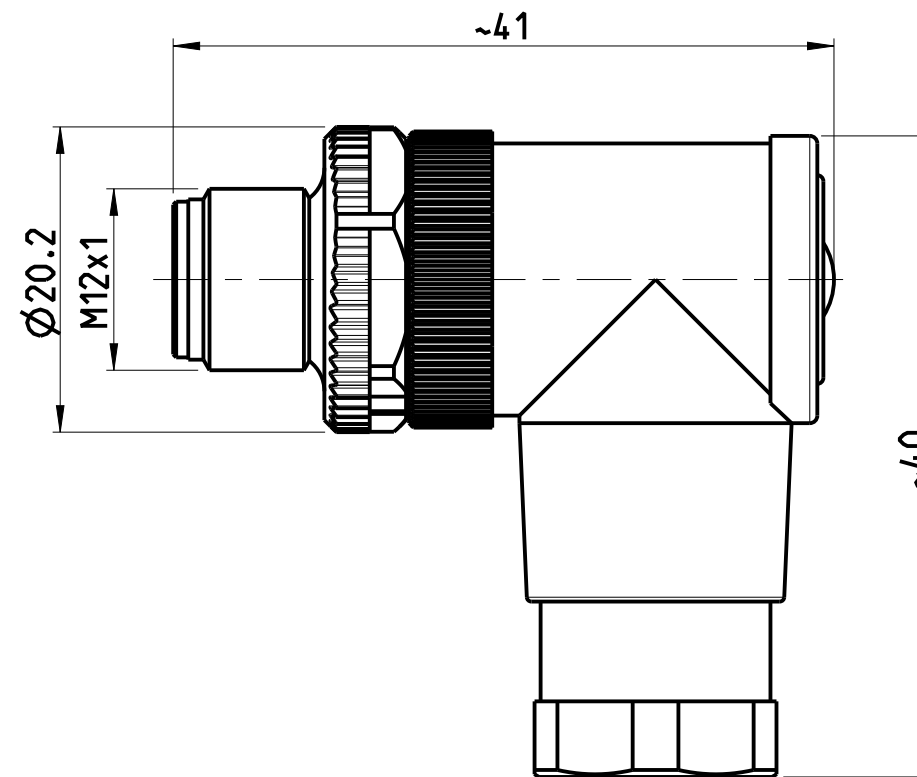
REVISIONS		DATE	DWN	APVD
ÄNDERUNGEN				
P	LTR	DESCRIPTION		
		BESCHREIBUNG		
	A2	DESCRIPTION CORRECTED FROM SOLDER TO SCREW TERMINAL IN TITLE BLOCK	13NOV2014	CR JK

1 MATERIAL: ITEM NO. 1: HOUSING - PA/ZINC DIECASTING, NICKEL PLATED, PA
 ITEM NO. 2: CONTACT BODY - PA
 ITEM NO. 3: CONTACT - CuZn (brass)
 CONTACT FINISH - CuSnZn (Optalloy)

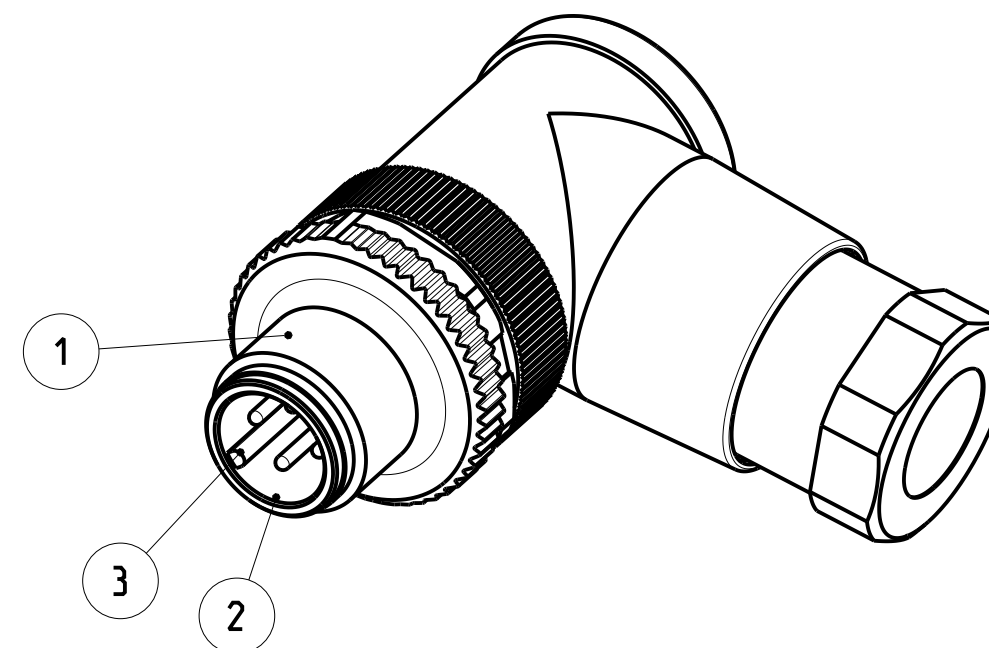
2 ALL DIMENSIONS ARE FOR NOMINAL REFERENCE ONLY UNLESS OTHERWISE STATED

3 MEASUREMENT REFERENCE ONLY

4 PACKAGING: 1 PIECE IN A BAG



TECHNICAL DATA	3-2271124-1	3-2271124-2	4-2271124-1	4-2271124-2
RATED VOLTAGE	250V	250V	125V	125V
RATED IMPULSE VOLTAGE	2500V	2500V	1500V	1500V
POLLUTION DEGREE	3	3	3	3
OVERVOLTAGE CATEGORY	II	II	II	II
MATERIAL GROUP	II	II	II	II
RATED CURRENT	4A	4A	4A	4A
VOLUME RESISTIVITY	≤ 8mΩ	≤ 8mΩ	≤ 8mΩ	≤ 8mΩ
DEGREE OF PROTECTION	IP67	IP67	IP67	IP67
UPPER TEMPERATURE	+85 °C	+85 °C	+85 °C	+85 °C
LOWER TEMPERATURE	-40 °C	-40 °C	-40 °C	-40 °C



3-2 AS SHOWN WIE GEZEICHNET

PIN ARRANGEMENT B-CODING (SCALE 2:1)

3-2271124-1	3-2271124-2	4-2271124-1	4-2271124-2

6-8	18 / 0.75mm ²	⚠	5	4-2271124-2
4-6	18 / 0.75mm ²	⚠	5	4-2271124-1
6-8	18 / 0.75mm ²	⚠	4	3-2271124-2
4-6	18 / 0.75mm ²	⚠	4	3-2271124-1
CABLE FEED-THROUGH mm	WIRES AWG / mm ²	MATERIAL	NUMBER OF POLES	TE-PART-NO.

DIESE ZEICHNUNG IST EIN KONTROLLIERTES DOKUMENT. BEMASSUNGEN UND TOLERANZEN GEMAESS GPS (ISO STANDARDS).

THIS DRAWING IS A CONTROLLED DOCUMENT. DIMENSIONING AND TOLERANCING PER GPS (ISO STANDARDS).

DIMENSIONS: MASSE/MASSSTAB: (mm)	TOLERANCES UNLESS OTHERWISE SPECIFIED: ALLGEMEINTOLERANZEN	DWN YASHKUMAR 15MAY2014	CHK M.STRELOW 15MAY2014	APVD C.SCHREITLINGER 15MAY2014
0 PLC ±	0.15	NAME M12 MALE 90 DEG ANGLED FIELD INSTALLABLE, UNSHIELDED CONNECTOR, SCREW TERMINALS, B-CODING		
1 PLC ±	0.10	SIZE A2		
2 PLC ±	0.08	CAGE CODE 00779		
3 PLC ±	0.07	DRAWING NO. C-2271124		
4 PLC ±	0.05	SCALE 2:1		
ANGLES/WINKEL ±	0.10	SHEET 1 OF 1		
FINISH/OBERFLÄCHE/FARBE	-	REV A2		

MATERIAL: -

Customer Drawing / KUNDENZEICHNUNG

SIZE ISO 14405 (E)