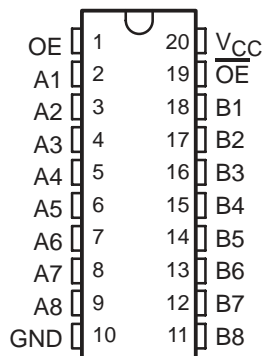
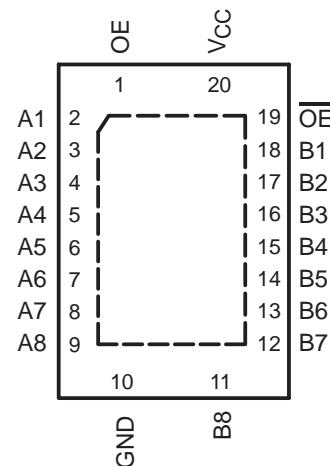


- Undershoot Protection for Off-Isolation on A and B Ports Up To -2 V
- Bidirectional Data Flow, With Near-Zero Propagation Delay
- Low ON-State Resistance ( $r_{ON}$ ) Characteristics ( $r_{ON} = 3 \Omega$  Typical)
- Low Input/Output Capacitance Minimizes Loading and Signal Distortion ( $C_{io(OFF)} = 5.5 \text{ pF}$  Typical)
- Data and Control Inputs Provide Undershoot Clamp Diodes
- Low Power Consumption ( $I_{CC} = 3 \mu\text{A}$  Max)
- $V_{CC}$  Operating Range From 4 V to 5.5 V
- Data I/Os Support 0 to 5-V Signaling Levels (0.8-V, 1.2-V, 1.5-V, 1.8-V, 2.5-V, 3.3-V, 5-V)
- Control Inputs Can Be Driven by TTL or 5-V/3.3-V CMOS Outputs
- $I_{off}$  Supports Partial-Power-Down Mode Operation
- Latch-Up Performance Exceeds 100 mA Per JESD 78, Class II
- ESD Performance Tested Per JESD 22
  - 2000-V Human-Body Model (A114-B, Class II)
  - 1000-V Charged-Device Model (C101)
- Supports Both Digital and Analog Applications: USB Interface, Memory Interleaving, Bus Isolation, Low-Distortion Signal Gating

DB, DBQ, DGV, DW, OR PW PACKAGE  
(TOP VIEW)



RGY PACKAGE  
(TOP VIEW)



## description/ordering information

The SN74CBT3345C is a high-speed TTL-compatible FET bus switch with low ON-state resistance ( $r_{ON}$ ), allowing for minimal propagation delay. Active Undershoot-Protection Circuitry on the A and B ports of the SN74CBT3345C provides protection for undershoot up to -2 V by sensing an undershoot event and ensuring that the switch remains in the proper OFF state.

The SN74CBT3345C is organized as an 8-bit bus switch with two output-enable ( $OE$ ,  $\overline{OE}$ ) inputs. When  $OE$  is high or  $\overline{OE}$  is low, the bus switch is ON, and the A port is connected to the B port, allowing bidirectional data flow between ports. When  $OE$  is low and  $\overline{OE}$  is high, the bus switch is OFF and the high-impedance state exists between the A and B ports.



Please be aware that an important notice concerning availability, standard warranty, and use in critical applications of Texas Instruments semiconductor products and disclaimers thereto appears at the end of this data sheet.

PRODUCTION DATA information is current as of publication date. Products conform to specifications per the terms of Texas Instruments standard warranty. Production processing does not necessarily include testing of all parameters.

 **TEXAS  
INSTRUMENTS**

POST OFFICE BOX 655303 • DALLAS, TEXAS 75265

Copyright © 2003, Texas Instruments Incorporated

# SN74CBT3345C

## 8-BIT FET BUS SWITCH

### 5-V BUS SWITCH WITH -2-V UNDERSHOOT PROTECTION

SCDS129A – SEPTEMBER 2003 – REVISED OCTOBER 2003

#### description/ordering information (continued)

This device is fully specified for partial-power-down applications using  $I_{off}$ . The  $I_{off}$  feature ensures that damaging current will not backflow through the device when it is powered down. The device has isolation during power off.

To ensure the high-impedance state during power up or power down,  $\overline{OE}$  should be tied to  $V_{CC}$  through a pullup resistor, and OE should be tied to GND through a pulldown resistor; the minimum value of the resistor is determined by the current-sinking/current-sourcing capability of the driver.

#### ORDERING INFORMATION

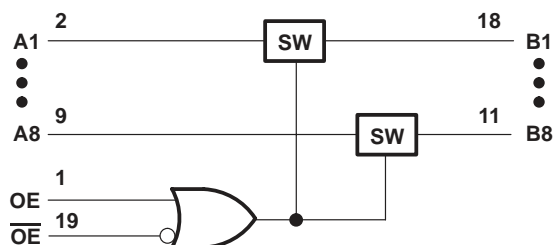
| TA            | PACKAGE†          |               | ORDERABLE PART NUMBER | TOP-SIDE MARKING |
|---------------|-------------------|---------------|-----------------------|------------------|
| -40°C to 85°C | QFN – RGY         | Tape and reel | SN74CBT3345CRGYR      | CU345C           |
|               | SOIC – DW         | Tube          | SN74CBT3345CDW        | CBT3345C         |
|               |                   | Tape and reel | SN74CBT3345CDWR       |                  |
|               | SSOP – DB         | Tube          | SN74CBT3345CDB        | CU345C           |
|               |                   | Tape and reel | SN74CBT3345CDBR       |                  |
|               | SSOP (QSOP) – DBQ | Tape and reel | SN74CBT3345CDBQR      | CBT3345C         |
|               | TSSOP – PW        | Tube          | SN74CBT3345CPW        | CU345C           |
|               |                   | Tape and reel | SN74CBT3345CPWR       |                  |
|               | TVSOP – DGV       | Tape and reel | SN74CBT3345CDGVR      | CU345C           |

† Package drawings, standard packing quantities, thermal data, symbolization, and PCB design guidelines are available at [www.ti.com/sc/package](http://www.ti.com/sc/package).

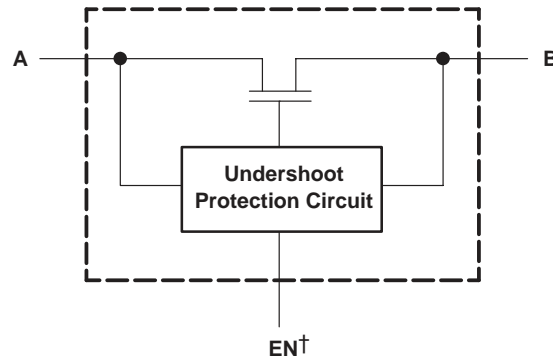
#### FUNCTION TABLE

| INPUTS |                 | INPUT/OUTPUT A | FUNCTION        |
|--------|-----------------|----------------|-----------------|
| OE     | $\overline{OE}$ |                |                 |
| H      | X               | B              | A port = B port |
| X      | L               | B              | A port = B port |
| L      | H               | Z              | Disconnect      |

#### logic diagram (positive logic)



simplified schematic, each FET switch (SW)



† EN is the internal enable signal applied to the switch.

absolute maximum ratings over operating free-air temperature range (unless otherwise noted)‡

|   |                |
|---|----------------|
| Supply voltage range, $V_{CC}$ .....                                    | -0.5 V to 7 V  |
| Control input voltage range, $V_{IN}$ (see Notes 1 and 2) .....         | -0.5 V to 7 V  |
| Switch I/O voltage range, $V_{I/O}$ (see Notes 1, 2, and 3) .....       | -0.5 V to 7 V  |
| Control input clamp current, $I_{IK}$ ( $V_{IN} < 0$ ) .....            | -50 mA         |
| I/O port clamp current, $I_{I/OK}$ ( $V_{I/O} < 0$ ) .....              | -50 mA         |
| ON-state switch current, $I_{I/O}$ (see Note 4) .....                   | $\pm 128$ mA   |
| Continuous current through $V_{CC}$ or GND terminals .....              | $\pm 100$ mA   |
| Package thermal impedance, $\theta_{JA}$ (see Note 5): DB package ..... | 70°C/W         |
| (see Note 5): DBQ package .....   | 68°C/W         |
| (see Note 5): DGV package .....   | 92°C/W         |
| (see Note 5): DW package .....  | 58°C/W         |
| (see Note 5): PW package .....  | 83°C/W         |
| (see Note 6): RGY package .....   | 37°C/W         |
| Storage temperature range, $T_{stg}$ .....                              | -65°C to 150°C |

‡ Stresses beyond those listed under “absolute maximum ratings” may cause permanent damage to the device. These are stress ratings only, and functional operation of the device at these or any other conditions beyond those indicated under “recommended operating conditions” is not implied. Exposure to absolute-maximum-rated conditions for extended periods may affect device reliability.

- NOTES:
1. All voltages are with respect to ground unless otherwise specified.
  2. The input and output voltage ratings may be exceeded if the input and output clamp-current ratings are observed.
  3.  $V_I$  and  $V_O$  are used to denote specific conditions for  $V_{I/O}$ .
  4.  $I_I$  and  $I_O$  are used to denote specific conditions for  $I_{I/O}$ .
  5. The package thermal impedance is calculated in accordance with JESD 51-7.
  6. The package thermal impedance is calculated in accordance with JESD 51-5.

recommended operating conditions (see Note 7)

|   | MIN | MAX | UNIT |
|---|-----|-----|------|
| $V_{CC}$ Supply voltage                   | 4   | 5.5 | V    |
| $V_{IH}$ High-level control input voltage | 2   | 5.5 | V    |
| $V_{IL}$ Low-level control input voltage  | 0   | 0.8 | V    |
| $V_{I/O}$ Data input/output voltage       | 0   | 5.5 | V    |
| $T_A$ Operating free-air temperature      | -40 | 85  | °C   |

NOTE 7: All unused control inputs of the device must be held at  $V_{CC}$  or GND to ensure proper device operation. Refer to the TI application report, *Implications of Slow or Floating CMOS Inputs*, literature number SCBA004.

# SN74CBT3345C

## 8-BIT FET BUS SWITCH

### 5-V BUS SWITCH WITH -2-V UNDERSHOOT PROTECTION

SCDS129A – SEPTEMBER 2003 – REVISED OCTOBER 2003

electrical characteristics over recommended operating free-air temperature range (unless otherwise noted)

| PARAMETER             |                | TEST CONDITIONS   |   | MIN | TYP† | MAX  | UNIT |
|-----------------------|----------------|---|---|-----|------|------|------|
| V <sub>IK</sub>       | Control inputs | V <sub>CC</sub> = 4.5 V,  | I <sub>IN</sub> = -18 mA  |     |      | -1.8 | V    |
| V <sub>IKU</sub>      | Data inputs    | V <sub>CC</sub> = 5 V,  | 0 mA > I <sub>I</sub> ≥ -50 mA,<br>V <sub>IN</sub> = V <sub>CC</sub> or GND, Switch OFF                     |     |      | -2   | V    |
| I <sub>IN</sub>       | Control inputs | V <sub>CC</sub> = 5.5 V,  | V <sub>IN</sub> = V <sub>CC</sub> or GND  |     |      | ±1   | μA   |
| I <sub>OZ</sub> ‡     |                | V <sub>CC</sub> = 5.5 V,  | V <sub>O</sub> = 0 to 5.5 V,<br>V <sub>I</sub> = 0, Switch OFF,<br>V <sub>IN</sub> = V <sub>CC</sub> or GND |     |      | ±10  | μA   |
| I <sub>off</sub>      |                | V <sub>CC</sub> = 0,  | V <sub>O</sub> = 0 to 5.5 V,<br>V <sub>I</sub> = 0  |     |      | 10   | μA   |
| I <sub>CC</sub>       |                | V <sub>CC</sub> = 5.5 V,  | I <sub>I/O</sub> = 0,<br>V <sub>IN</sub> = V <sub>CC</sub> or GND, Switch ON or OFF                         |     |      | 3    | μA   |
| ΔI <sub>CC</sub> §    | Control inputs | V <sub>CC</sub> = 5.5 V,  | One input at 3.4 V, Other inputs at V <sub>CC</sub> or GND  |     |      | 2.5  | mA   |
| C <sub>in</sub>       | Control inputs | V <sub>IN</sub> = 3 V or 0  |   |     | 4    |      | pF   |
| C <sub>io</sub> (OFF) |                | V <sub>I/O</sub> = 3 V or 0, Switch OFF, V <sub>IN</sub> = V <sub>CC</sub> or GND |   |     | 5.5  |      | pF   |
| C <sub>io</sub> (ON)  |                | V <sub>I/O</sub> = 3 V or 0, Switch ON, V <sub>IN</sub> = V <sub>CC</sub> or GND  |   |     | 14   |      | pF   |
| r <sub>on</sub> ¶     |                | V <sub>CC</sub> = 4 V,<br>TYP at V <sub>CC</sub> = 4 V                            | V <sub>I</sub> = 2.4 V, I <sub>O</sub> = -15 mA   | 8   | 12   | Ω    |      |
|                       |                |   | V <sub>I</sub> = 0, I <sub>O</sub> = 64 mA  | 3   | 6    |      |      |
|                       |                | V <sub>CC</sub> = 4.5 V   | V <sub>I</sub> = 0, I <sub>O</sub> = 30 mA  | 3   | 6    |      |      |
|                       |                |   | V <sub>I</sub> = 2.4 V, I <sub>O</sub> = -15 mA   | 5   | 10   |      |      |

V<sub>IN</sub> and I<sub>IN</sub> refer to control inputs. V<sub>I</sub>, V<sub>O</sub>, I<sub>I</sub>, and I<sub>O</sub> refer to data pins.

† All typical values are at V<sub>CC</sub> = 5 V (unless otherwise noted), T<sub>A</sub> = 25°C.

‡ For I/O ports, the parameter I<sub>OZ</sub> includes the input leakage current.

§ This is the increase in supply current for each input that is at the specified voltage level, rather than V<sub>CC</sub> or GND.

¶ Measured by the voltage drop between the A and B terminals at the indicated current through the switch. ON-state resistance is determined by the lower of the voltages of the two (A or B) terminals.

switching characteristics over recommended operating free-air temperature range (unless otherwise noted) (see Figure 3)

| PARAMETER         | FROM (INPUT)                 | TO (OUTPUT) | V <sub>CC</sub> = 4 V |     | V <sub>CC</sub> = 5 V ± 0.5 V |     | UNIT |
|-------------------|------------------------------|-------------|-----------------------|-----|-------------------------------|-----|------|
|                   |                              |             | MIN                   | MAX | MIN                           | MAX |      |
| t <sub>pd</sub> # | A or B                       | B or A      | 0.24                  |     | 0.15                          |     | ns   |
| t <sub>en</sub>   | $\overline{\text{OE}}$ or OE | A or B      | 5.3                   |     | 1.5                           | 4.9 | ns   |
| t <sub>dis</sub>  | $\overline{\text{OE}}$ or OE | A or B      | 5.8                   |     | 1.5                           | 5.7 | ns   |

# The propagation delay is the calculated RC time constant of the typical ON-state resistance of the switch and the specified load capacitance, when driven by an ideal voltage source (zero output impedance).



**SN74CBT3345C**  
**8-BIT FET BUS SWITCH**  
**5-V BUS SWITCH WITH -2-V UNDERSHOOT PROTECTION**

SCDS129A – SEPTEMBER 2003 – REVISED OCTOBER 2003

undershoot characteristics (see Figures 1 and 2)

| PARAMETER  | TEST CONDITIONS  | MIN | TYP†           | MAX | UNIT |
|------------|--|-----|----------------|-----|------|
| $V_{OUTU}$ | $V_{CC} = 5.5\text{ V}$ , Switch OFF, $V_{IN} = V_{CC}$ or GND | 2   | $V_{OH} - 0.3$ |     | V    |

† All typical values are at  $V_{CC} = 5\text{ V}$  (unless otherwise noted),  $T_A = 25^\circ\text{C}$ .

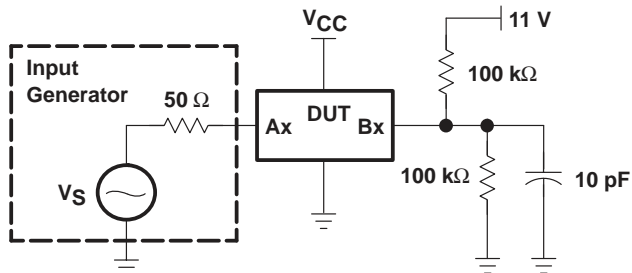


Figure 1. Device Test Setup

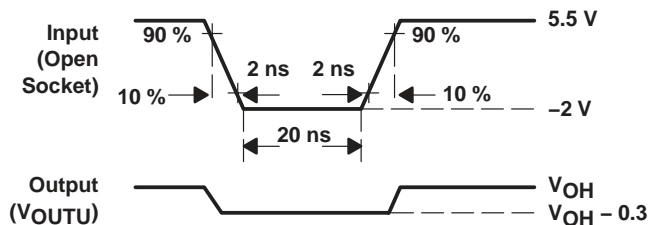
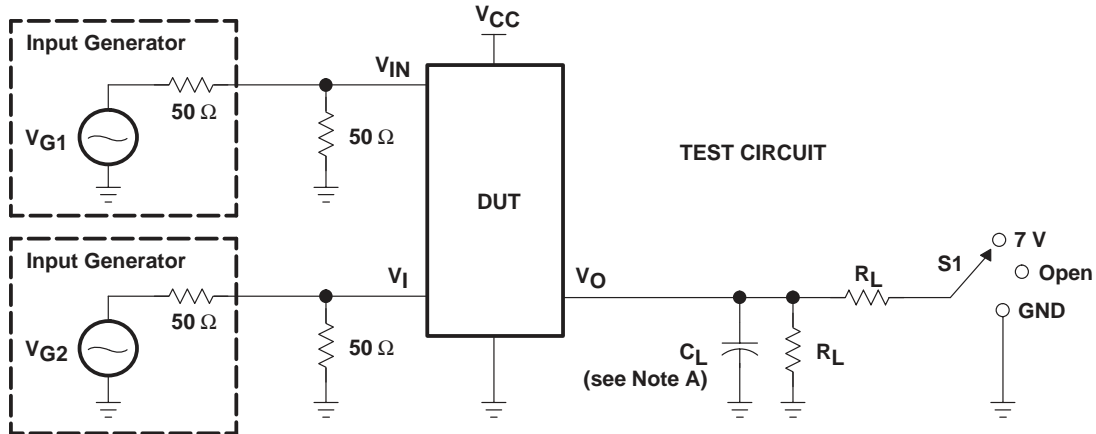


Figure 2. Transient Input Voltage ( $V_i$ ) and Output Voltage ( $V_{OUTU}$ ) Waveforms (Switch OFF)

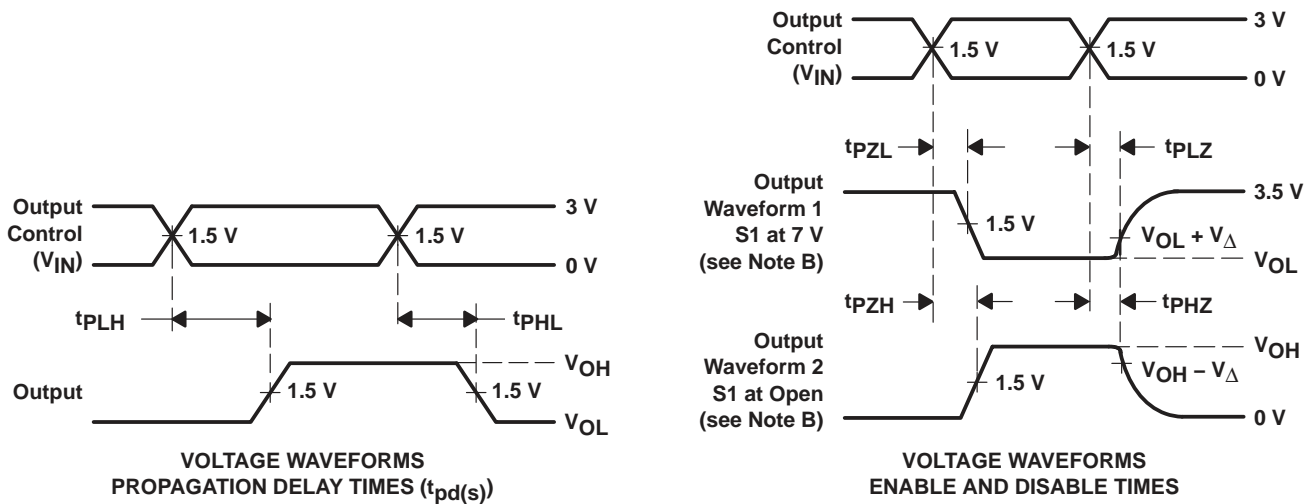
**SN74CBT3345C**  
**8-BIT FET BUS SWITCH**  
**5-V BUS SWITCH WITH -2-V UNDERSHOOT PROTECTION**

SCDS129A – SEPTEMBER 2003 – REVISED OCTOBER 2003

**PARAMETER MEASUREMENT INFORMATION**



| TEST                               | V <sub>CC</sub> | S1   | R <sub>L</sub> | V <sub>I</sub>         | C <sub>L</sub> | V <sub>Δ</sub> |
|------------------------------------|-----------------|------|----------------|------------------------|----------------|----------------|
| t <sub>pd</sub> (s)                | 5 V ± 0.5 V     | Open | 500 Ω          | V <sub>CC</sub> or GND | 50 pF          |                |
|                                    | 4 V             | Open | 500 Ω          | V <sub>CC</sub> or GND | 50 pF          |                |
| t <sub>PLZ</sub> /t <sub>PZL</sub> | 5 V ± 0.5 V     | 7 V  | 500 Ω          | GND                    | 50 pF          | 0.3 V          |
|                                    | 4 V             | 7 V  | 500 Ω          | GND                    | 50 pF          | 0.3 V          |
| t <sub>PHZ</sub> /t <sub>PZH</sub> | 5 V ± 0.5 V     | Open | 500 Ω          | V <sub>CC</sub>        | 50 pF          | 0.3 V          |
|                                    | 4 V             | Open | 500 Ω          | V <sub>CC</sub>        | 50 pF          | 0.3 V          |



- NOTES:
- A. C<sub>L</sub> includes probe and jig capacitance.
  - B. Waveform 1 is for an output with internal conditions such that the output is low except when disabled by the output control. Waveform 2 is for an output with internal conditions such that the output is high except when disabled by the output control.
  - C. All input pulses are supplied by generators having the following characteristics: PRR ≤ 10 MHz, Z<sub>O</sub> = 50 Ω, t<sub>r</sub> ≤ 2.5 ns, t<sub>f</sub> ≤ 2.5 ns.
  - D. The outputs are measured one at a time with one transition per measurement.
  - E. t<sub>PLZ</sub> and t<sub>PHZ</sub> are the same as t<sub>dis</sub>.
  - F. t<sub>PZL</sub> and t<sub>PZH</sub> are the same as t<sub>en</sub>.
  - G. t<sub>PLH</sub> and t<sub>PHL</sub> are the same as t<sub>pd</sub>(s). The t<sub>pd</sub> propagation delay is the calculated RC time constant of the typical ON-state resistance of the switch and the specified load capacitance, when driven by an ideal voltage source (zero output impedance).
  - H. All parameters and waveforms are not applicable to all devices.

**Figure 3. Test Circuit and Voltage Waveforms**

**PACKAGING INFORMATION**

| Orderable Device | Status<br>(1) | Package Type | Package Drawing | Pins | Package Qty | Eco Plan<br>(2) | Lead finish/<br>Ball material<br>(6) | MSL Peak Temp<br>(3) | Op Temp (°C) | Device Marking<br>(4/5) | Samples                 |
|------------------|---------------|--------------|-----------------|------|-------------|-----------------|--------------------------------------|----------------------|--------------|-------------------------|-------------------------|
| SN74CBT3345CDBQR | ACTIVE        | SSOP         | DBQ             | 20   | 2500        | RoHS & Green    | NIPDAU                               | Level-2-260C-1 YEAR  | -40 to 85    | CBT3345C                | <a href="#">Samples</a> |
| SN74CBT3345CDW   | ACTIVE        | SOIC         | DW              | 20   | 25          | RoHS & Green    | NIPDAU                               | Level-1-260C-UNLIM   | -40 to 85    | CBT3345C                | <a href="#">Samples</a> |
| SN74CBT3345CDWR  | ACTIVE        | SOIC         | DW              | 20   | 2000        | RoHS & Green    | NIPDAU                               | Level-1-260C-UNLIM   | -40 to 85    | CBT3345C                | <a href="#">Samples</a> |
| SN74CBT3345CPW   | ACTIVE        | TSSOP        | PW              | 20   | 70          | RoHS & Green    | NIPDAU                               | Level-1-260C-UNLIM   | -40 to 85    | CU345C                  | <a href="#">Samples</a> |
| SN74CBT3345CPWR  | ACTIVE        | TSSOP        | PW              | 20   | 2000        | RoHS & Green    | NIPDAU                               | Level-1-260C-UNLIM   | -40 to 85    | CU345C                  | <a href="#">Samples</a> |

(1) The marketing status values are defined as follows:

**ACTIVE:** Product device recommended for new designs.

**LIFEBUY:** TI has announced that the device will be discontinued, and a lifetime-buy period is in effect.

**NRND:** Not recommended for new designs. Device is in production to support existing customers, but TI does not recommend using this part in a new design.

**PREVIEW:** Device has been announced but is not in production. Samples may or may not be available.

**OBSELETE:** TI has discontinued the production of the device.

(2) **RoHS:** TI defines "RoHS" to mean semiconductor products that are compliant with the current EU RoHS requirements for all 10 RoHS substances, including the requirement that RoHS substance do not exceed 0.1% by weight in homogeneous materials. Where designed to be soldered at high temperatures, "RoHS" products are suitable for use in specified lead-free processes. TI may reference these types of products as "Pb-Free".

**RoHS Exempt:** TI defines "RoHS Exempt" to mean products that contain lead but are compliant with EU RoHS pursuant to a specific EU RoHS exemption.

**Green:** TI defines "Green" to mean the content of Chlorine (Cl) and Bromine (Br) based flame retardants meet JS709B low halogen requirements of <=1000ppm threshold. Antimony trioxide based flame retardants must also meet the <=1000ppm threshold requirement.

(3) MSL, Peak Temp. - The Moisture Sensitivity Level rating according to the JEDEC industry standard classifications, and peak solder temperature.

(4) There may be additional marking, which relates to the logo, the lot trace code information, or the environmental category on the device.

(5) Multiple Device Markings will be inside parentheses. Only one Device Marking contained in parentheses and separated by a "~" will appear on a device. If a line is indented then it is a continuation of the previous line and the two combined represent the entire Device Marking for that device.

(6) Lead finish/Ball material - Orderable Devices may have multiple material finish options. Finish options are separated by a vertical ruled line. Lead finish/Ball material values may wrap to two lines if the finish value exceeds the maximum column width.

**Important Information and Disclaimer:** The information provided on this page represents TI's knowledge and belief as of the date that it is provided. TI bases its knowledge and belief on information provided by third parties, and makes no representation or warranty as to the accuracy of such information. Efforts are underway to better integrate information from third parties. TI has taken and continues to take reasonable steps to provide representative and accurate information but may not have conducted destructive testing or chemical analysis on incoming materials and chemicals. TI and TI suppliers consider certain information to be proprietary, and thus CAS numbers and other limited information may not be available for release.

In no event shall TI's liability arising out of such information exceed the total purchase price of the TI part(s) at issue in this document sold by TI to Customer on an annual basis.



**TAPE AND REEL INFORMATION**

**QUADRANT ASSIGNMENTS FOR PIN 1 ORIENTATION IN TAPE**


\*All dimensions are nominal

| Device           | Package Type | Package Drawing | Pins | SPQ  | Reel Diameter (mm) | Reel Width W1 (mm) | A0 (mm) | B0 (mm) | K0 (mm) | P1 (mm) | W (mm) | Pin1 Quadrant |
|------------------|--------------|-----------------|------|------|--------------------|--------------------|---------|---------|---------|---------|--------|---------------|
| SN74CBT3345CDBQR | SSOP         | DBQ             | 20   | 2500 | 330.0              | 16.4               | 6.5     | 9.0     | 2.1     | 8.0     | 16.0   | Q1            |
| SN74CBT3345CDWR  | SOIC         | DW              | 20   | 2000 | 330.0              | 24.4               | 10.8    | 13.3    | 2.7     | 12.0    | 24.0   | Q1            |
| SN74CBT3345CPWR  | TSSOP        | PW              | 20   | 2000 | 330.0              | 16.4               | 6.95    | 7.1     | 1.6     | 8.0     | 16.0   | Q1            |

## TAPE AND REEL BOX DIMENSIONS



\*All dimensions are nominal

| Device           | Package Type | Package Drawing | Pins | SPQ  | Length (mm) | Width (mm) | Height (mm) |
|------------------|--------------|-----------------|------|------|-------------|------------|-------------|
| SN74CBT3345CDBQR | SSOP         | DBQ             | 20   | 2500 | 356.0       | 356.0      | 35.0        |
| SN74CBT3345CDWR  | SOIC         | DW              | 20   | 2000 | 367.0       | 367.0      | 45.0        |
| SN74CBT3345CPWR  | TSSOP        | PW              | 20   | 2000 | 367.0       | 367.0      | 38.0        |

**TUBE**


\*All dimensions are nominal

| Device         | Package Name | Package Type | Pins | SPQ | L (mm) | W (mm) | T (μm) | B (mm) |
|----------------|--------------|--------------|------|-----|--------|--------|--------|--------|
| SN74CBT3345CDW | DW           | SOIC         | 20   | 25  | 507    | 12.83  | 5080   | 6.6    |
| SN74CBT3345CPW | PW           | TSSOP        | 20   | 70  | 530    | 10.2   | 3600   | 3.5    |

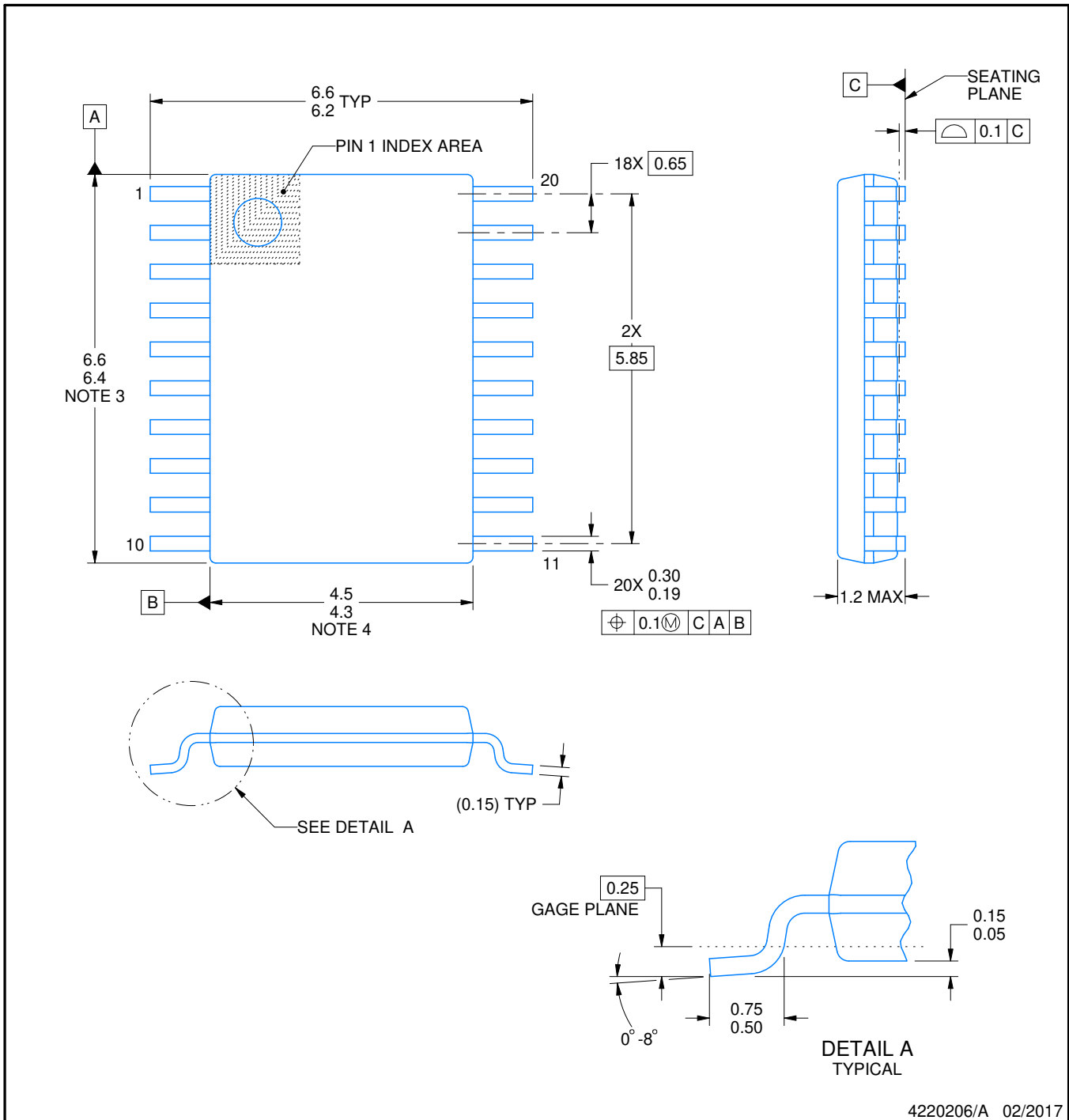
# PW0020A



# PACKAGE OUTLINE

## TSSOP - 1.2 mm max height

SMALL OUTLINE PACKAGE



4220206/A 02/2017

### NOTES:

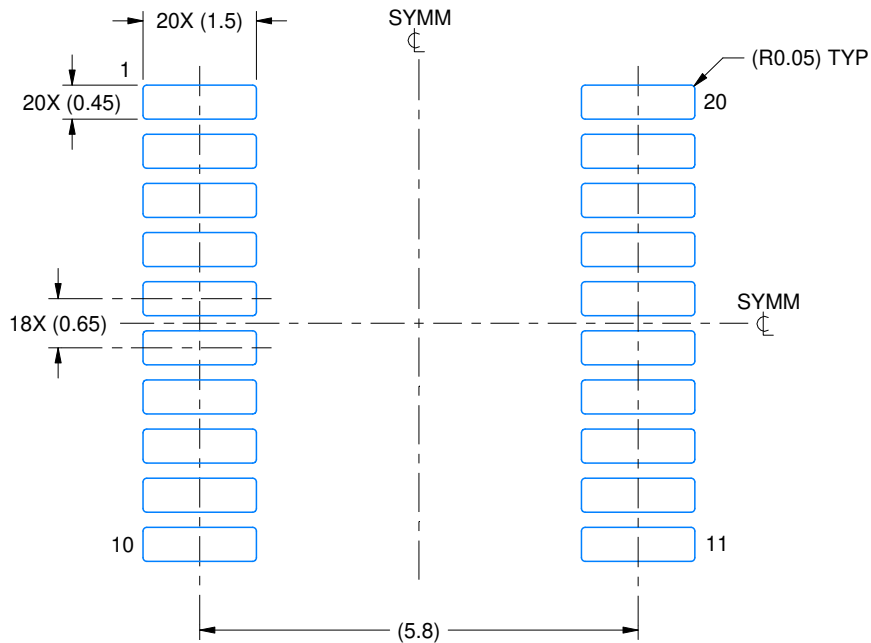
1. All linear dimensions are in millimeters. Any dimensions in parenthesis are for reference only. Dimensioning and tolerancing per ASME Y14.5M.
2. This drawing is subject to change without notice.
3. This dimension does not include mold flash, protrusions, or gate burrs. Mold flash, protrusions, or gate burrs shall not exceed 0.15 mm per side.
4. This dimension does not include interlead flash. Interlead flash shall not exceed 0.25 mm per side.
5. Reference JEDEC registration MO-153.

# EXAMPLE BOARD LAYOUT

PW0020A

TSSOP - 1.2 mm max height

SMALL OUTLINE PACKAGE



LAND PATTERN EXAMPLE  
EXPOSED METAL SHOWN  
SCALE: 10X



SOLDER MASK DETAILS

4220206/A 02/2017

NOTES: (continued)

- 6. Publication IPC-7351 may have alternate designs.
- 7. Solder mask tolerances between and around signal pads can vary based on board fabrication site.

# EXAMPLE STENCIL DESIGN

PW0020A

TSSOP - 1.2 mm max height

SMALL OUTLINE PACKAGE



SOLDER PASTE EXAMPLE  
BASED ON 0.125 mm THICK STENCIL  
SCALE: 10X

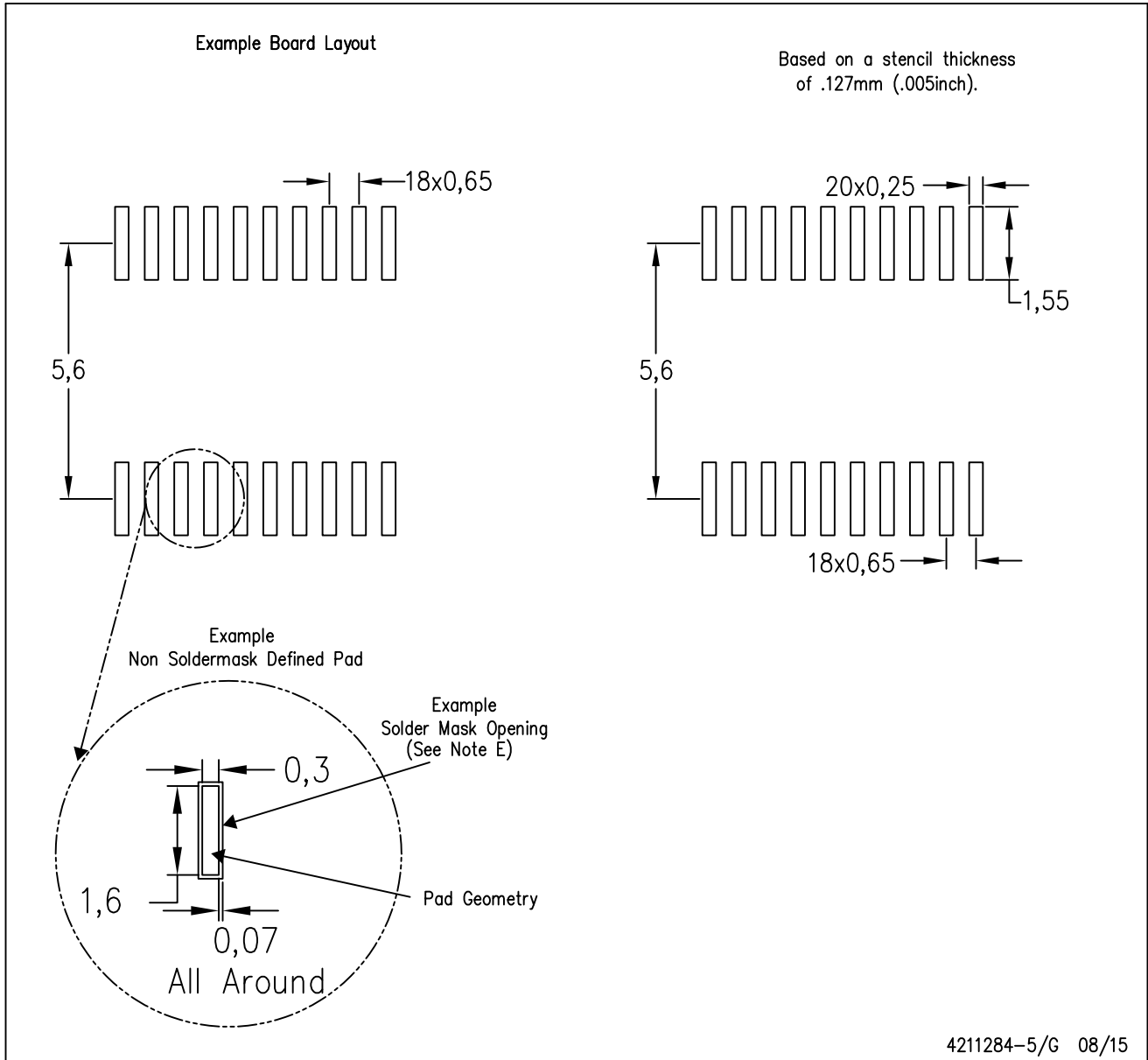
4220206/A 02/2017

NOTES: (continued)

8. Laser cutting apertures with trapezoidal walls and rounded corners may offer better paste release. IPC-7525 may have alternate design recommendations.
9. Board assembly site may have different recommendations for stencil design.

PW (R-PDSO-G20)

PLASTIC SMALL OUTLINE



- NOTES:
- A. All linear dimensions are in millimeters.
  - B. This drawing is subject to change without notice.
  - C. Publication IPC-7351 is recommended for alternate design.
  - D. Laser cutting apertures with trapezoidal walls and also rounding corners will offer better paste release. Customers should contact their board assembly site for stencil design recommendations. Refer to IPC-7525 for other stencil recommendations.
  - E. Customers should contact their board fabrication site for solder mask tolerances between and around signal pads.





# DW0020A



# PACKAGE OUTLINE

## SOIC - 2.65 mm max height

SOIC



4220724/A 05/2016

**NOTES:**

- All linear dimensions are in millimeters. Dimensions in parenthesis are for reference only. Dimensioning and tolerancing per ASME Y14.5M.
- This drawing is subject to change without notice.
- This dimension does not include mold flash, protrusions, or gate burrs. Mold flash, protrusions, or gate burrs shall not exceed 0.15 mm per side.
- This dimension does not include interlead flash. Interlead flash shall not exceed 0.43 mm per side.
- Reference JEDEC registration MS-013.

# EXAMPLE BOARD LAYOUT

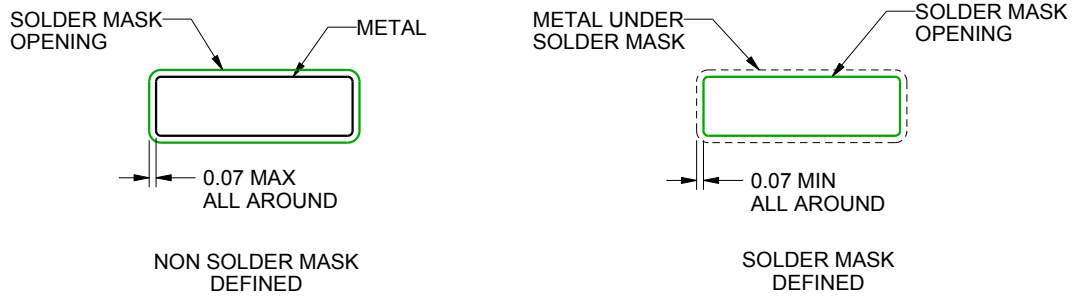
DW0020A

SOIC - 2.65 mm max height

SOIC



LAND PATTERN EXAMPLE  
SCALE:6X



SOLDER MASK DETAILS

4220724/A 05/2016

NOTES: (continued)

- 6. Publication IPC-7351 may have alternate designs.
- 7. Solder mask tolerances between and around signal pads can vary based on board fabrication site.

# EXAMPLE STENCIL DESIGN

DW0020A

SOIC - 2.65 mm max height

SOIC



SOLDER PASTE EXAMPLE  
BASED ON 0.125 mm THICK STENCIL  
SCALE:6X

4220724/A 05/2016

NOTES: (continued)

8. Laser cutting apertures with trapezoidal walls and rounded corners may offer better paste release. IPC-7525 may have alternate design recommendations.
9. Board assembly site may have different recommendations for stencil design.

## IMPORTANT NOTICE AND DISCLAIMER

TI PROVIDES TECHNICAL AND RELIABILITY DATA (INCLUDING DATA SHEETS), DESIGN RESOURCES (INCLUDING REFERENCE DESIGNS), APPLICATION OR OTHER DESIGN ADVICE, WEB TOOLS, SAFETY INFORMATION, AND OTHER RESOURCES "AS IS" AND WITH ALL FAULTS, AND DISCLAIMS ALL WARRANTIES, EXPRESS AND IMPLIED, INCLUDING WITHOUT LIMITATION ANY IMPLIED WARRANTIES OF MERCHANTABILITY, FITNESS FOR A PARTICULAR PURPOSE OR NON-INFRINGEMENT OF THIRD PARTY INTELLECTUAL PROPERTY RIGHTS.

These resources are intended for skilled developers designing with TI products. You are solely responsible for (1) selecting the appropriate TI products for your application, (2) designing, validating and testing your application, and (3) ensuring your application meets applicable standards, and any other safety, security, regulatory or other requirements.

These resources are subject to change without notice. TI grants you permission to use these resources only for development of an application that uses the TI products described in the resource. Other reproduction and display of these resources is prohibited. No license is granted to any other TI intellectual property right or to any third party intellectual property right. TI disclaims responsibility for, and you will fully indemnify TI and its representatives against, any claims, damages, costs, losses, and liabilities arising out of your use of these resources.

TI's products are provided subject to [TI's Terms of Sale](#) or other applicable terms available either on [ti.com](http://ti.com) or provided in conjunction with such TI products. TI's provision of these resources does not expand or otherwise alter TI's applicable warranties or warranty disclaimers for TI products.

TI objects to and rejects any additional or different terms you may have proposed.

Mailing Address: Texas Instruments, Post Office Box 655303, Dallas, Texas 75265  
Copyright © 2022, Texas Instruments Incorporated