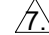
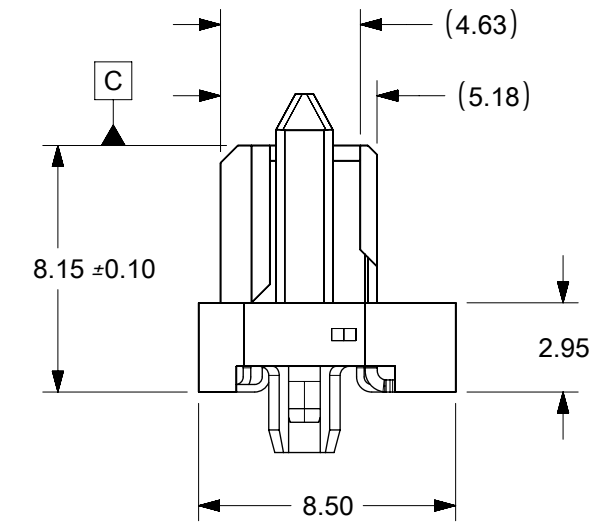

 YYDDDX
 YEAR
 DAYS
 ASSEMBLY LINE CODE
 1#=EXISTING LINE
 2#=NEW LINE

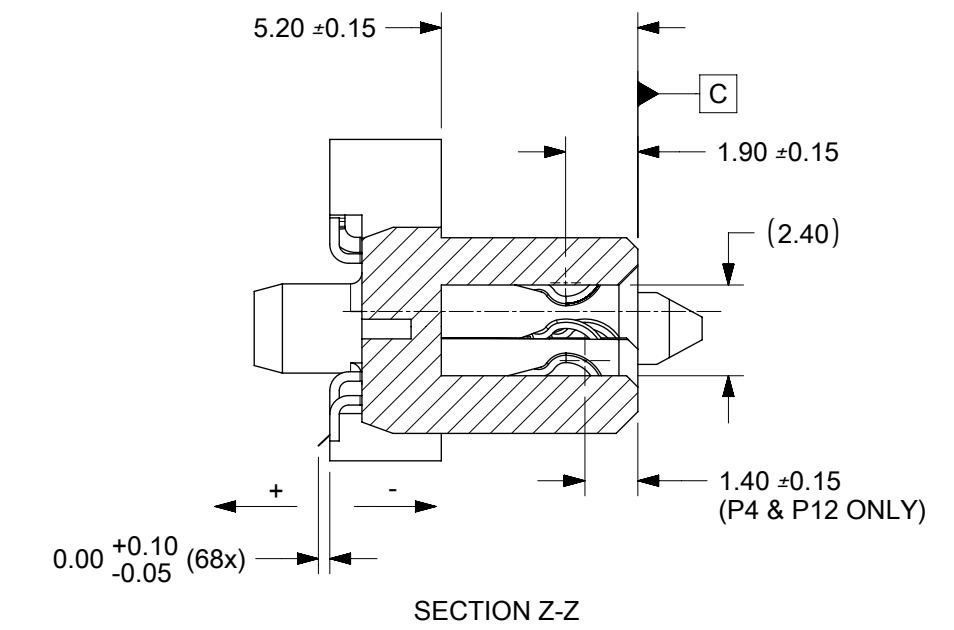
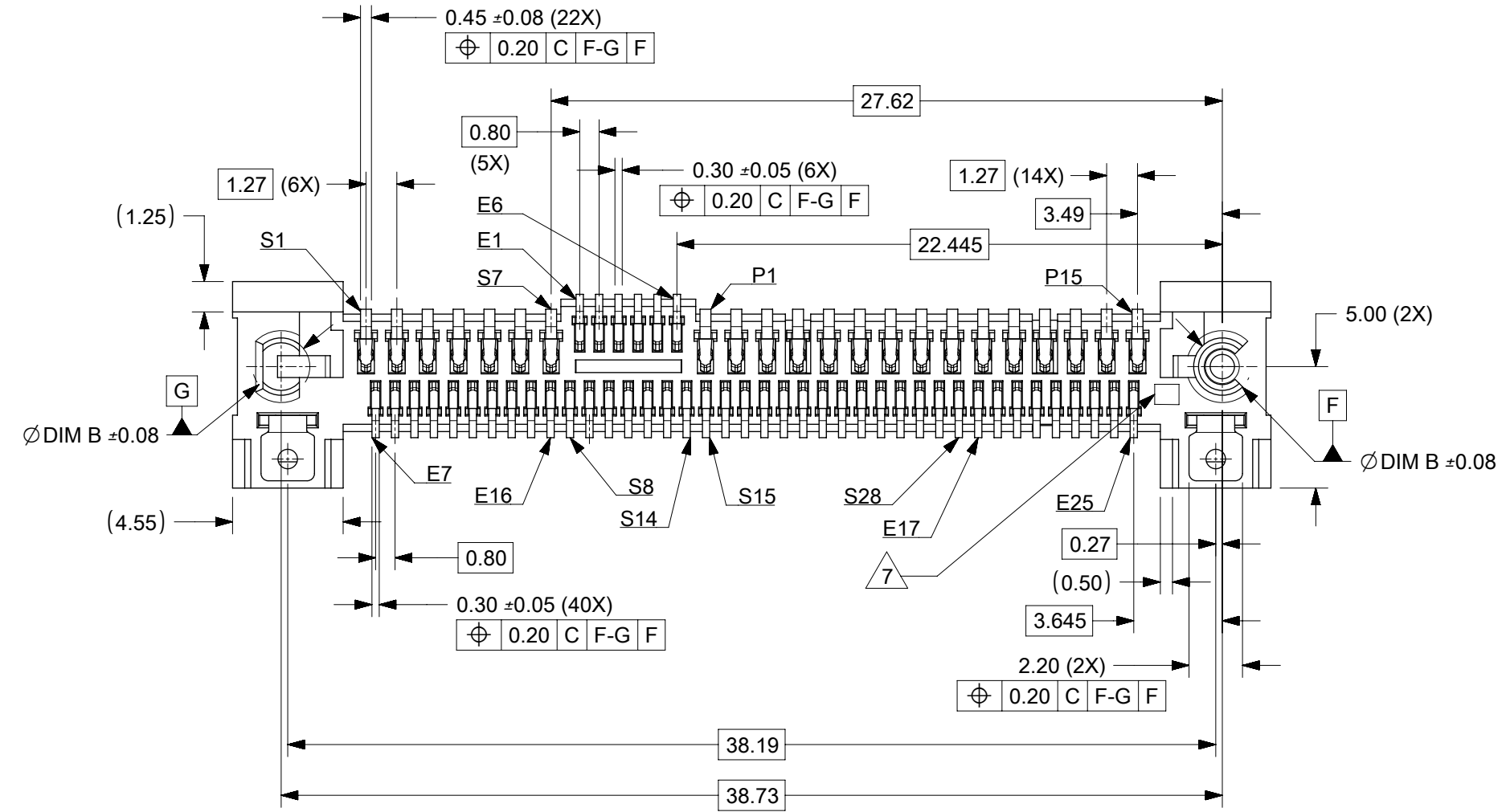
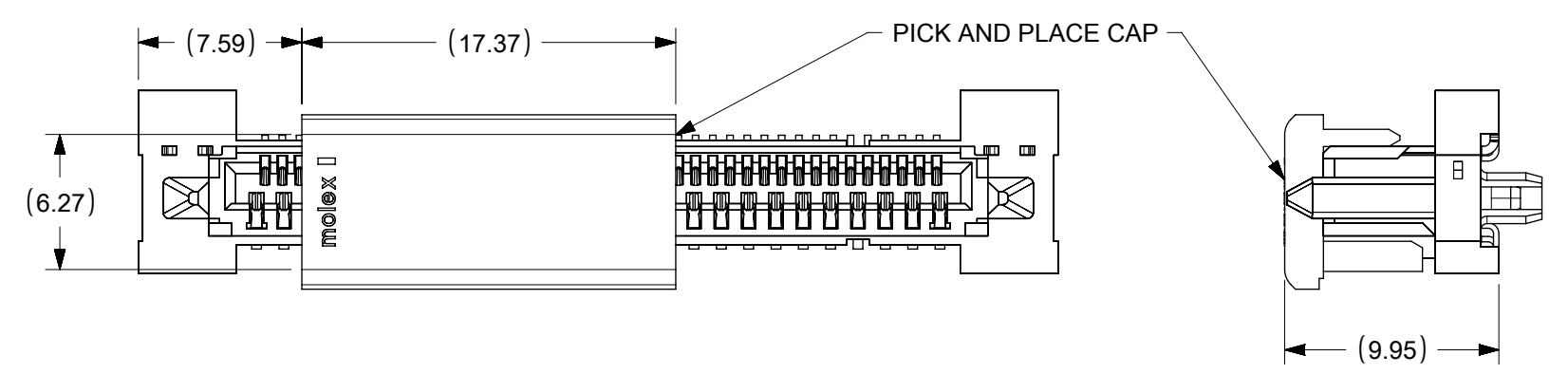
NOTES:

- MATERIALS:
HOUSING: LCP, GLASS FILLED, UL94V-0, COLOR: BLACK
TERMINALS & SMT CLIPS: COPPER ALLOY
- FINISHES:
TERMINALS:
0.76µM MIN GOLD ON CONTACTS OVER 1.27µM MIN NICKEL UNDERPLATE.
2.54µM MIN TIN ON SOLDER TAIL OVER 1.27µM MIN NICKEL UNDERPLATE.
SMT CLIPS:
2.54µM MIN TIN OVER 1.27µM MIN NICKEL UNDERPLATE
- PRODUCT SPECIFICATION: PS-78757-001
- PACKAGING SPECIFICATION: PK-78757-001
- REFER TO AS-78757-001 FOR PCB ROUTING RECOMMENDATIONS.
- NON FUNCTIONAL CORING TO VARIES.
-  MOLEX LOGO, DATE CODE AND CAVITY ID TO BE LOCATED APPROXIMATELY AS SHOWN.
- PRODUCT IS COMPLIANT TO RoHS DIRECTIVE WITH THE FOLLOWING BANNED SUBSTANCES - LEAD, MERCURY, CADMIUM, HEXAVALENT CHROMIUM, POLYBROMINATED BIPHENYLS AND POLYBROMINATED DIPHENYL ETHERS.



THIS DRAWING CONTAINS INFORMATION THAT IS PROPRIETARY TO MOLEX ELECTRONIC TECHNOLOGIES, LLC AND SHOULD NOT BE USED WITHOUT WRITTEN PERMISSION									
SYMBOLS	DIMENSION UNITS	SCALE	CURRENT REV DESC: ADD CORE OUT				 SAS/PCIE STD HEIGHT BACKPLANE SMT RECEPTACLE (SMT MOUNT)		
▽ = 0	mm								
▽ = 0	GENERAL TOLERANCES (UNLESS SPECIFIED)						PRODUCT CUSTOMER DRAWING DOCUMENT NUMBER: SD-78757-001 DOC TYPE: PSD DOC PART: 000 REVISION: C		
▽ = 0	ANGULAR TOL ± 3.0°								
▽ = 0	4 PLACES ±		EC NO: 178318				DRWN: RCHEN55 2018/06/21 CHK'D: SHONG 2018/07/05 APPR: SHONG 2018/07/05		
▽ = 0	3 PLACES ±								
▽ = 0	2 PLACES ± 0.2		INITIAL REVISION:				DRWN: SKANG 2014/09/23 APPR: SHONG 2014/09/30		
▽ = 0	1 PLACE ±								
▽ = 0	0 PLACES ±						MATERIAL NUMBER: SEE TABLE CUSTOMER: GENERAL MARKET SHEET NUMBER: 1 OF 3		
▽ = 0	DRAFT WHERE APPLICABLE MUST REMAIN WITHIN DIMENSIONS		THIRD ANGLE PROJECTION		DRAWING: A3-SIZE	SERIES: 78757			

PART NO.	PACKAGING SPECIFICATION	PACKAGING	DIM A	DIM B	DIM C
78757-0001	PK-78757-001	TAPE AND REEL	2.00	Ø2.36	Ø2.50
78757-0002	PK-78757-002	TRAY			
78757-0004	PK-78757-001	TAPE AND REEL	1.00	Ø1.26	Ø1.40
78757-0005	PK-78757-002	TRAY			
78757-0006	PK-78757-001	TAPE AND REEL	1.00	Ø0.80	Ø0.90



SYMBOLS	THIS DRAWING CONTAINS INFORMATION THAT IS PROPRIETARY TO MOLEX ELECTRONIC TECHNOLOGIES, LLC AND SHOULD NOT BE USED WITHOUT WRITTEN PERMISSION	
DIMENSION UNITS	SCALE	CURRENT REV DESC: ADD CORE OUT
▽ = 0	mm	molex SAS/PCIE STD HEIGHT BACKPLANE SMT RECEPTACLE (SMT MOUNT)
▽ = 0	GENERAL TOLERANCES (UNLESS SPECIFIED)	
▽ = 0	ANGULAR TOL ± 3.0°	EC NO: 178318 DRWN: RCHEN55 2018/06/21 CHK'D: SHONG 2018/07/05 APPR: SHONG 2018/07/05
▽ = 0	4 PLACES ±	INITIAL REVISION: DRWN: SKANG 2014/09/23 APPR: SHONG 2014/09/30
▽ = 0	3 PLACES ±	
▽ = 0	2 PLACES ± 0.2	DOCUMENT NUMBER: SD-78757-001 DOC TYPE: PSD DOC PART: 000 REVISION: C
▽ = 0	1 PLACE ±	MATERIAL NUMBER: SEE TABLE CUSTOMER: GENERAL MARKET SHEET NUMBER: 2 OF 3
▽ = 0	0 PLACES ±	
■ = 0	DRAFT WHERE APPLICABLE MUST REMAIN WITHIN DIMENSIONS	THIRD ANGLE PROJECTION DRAWING: A3-SIZE SERIES: 78757

DOCUMENT STATUS	P1	RELEASE DATE	2018/07/05	01:59:54
-----------------	----	--------------	------------	----------

