

TE Internal #: 626028-2

Ring Terminals & Spade Terminals, Ring Tongue, 20 – 15 AWG

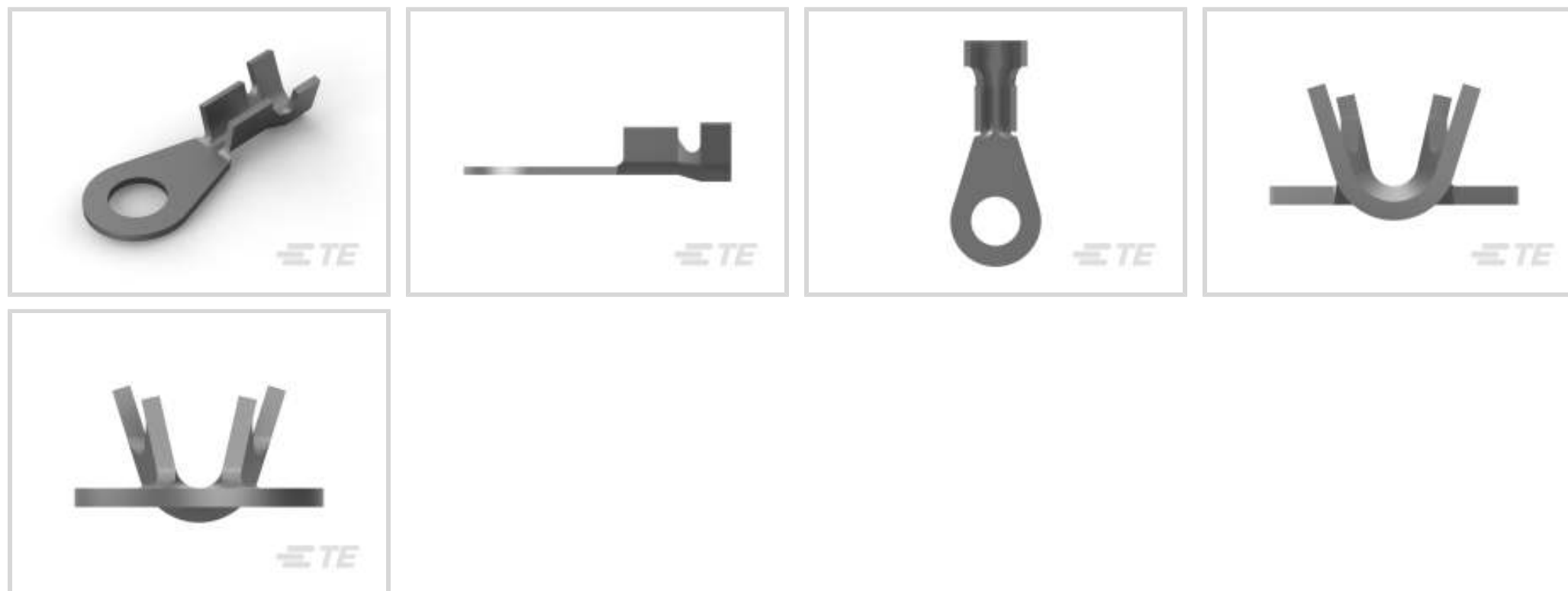
Wire Size, .5 – 1.65 mm² Wire Size, 1021 – 3256 CMA Wire Size,

Stud Size M4 / #8

[View on TE.com >](#)



Terminals & Splices > Ring Terminals & Spade Terminals



Ring & Spade Terminal Type: **Ring Tongue**

Wire Size: **1021 – 3256 CMA**

Stud Size: **#8, M4**

Features

Product Type Features

Terminal Features	Sheared
Shape Description	RING-001
Stud Size	#8, M4
Sealable	No
Compatible With Discrete Wire Type	Stranded
Wire Insulation Support Retention Type	Insulation Support

Configuration Features

Number of Holes	1
-----------------	---

Body Features

Product Weight	.605 g
----------------	--------

Contact Features

Ring & Spade Terminal Type	Ring Tongue
Barrel Type	Open
Terminal Orientation	Straight
Terminal Plating Material	Tin

Mechanical Attachment



Wire Insulation Support	With
-------------------------	------

Dimensions

Wire Size	1021 – 3256 CMA
Stud Diameter	4.3 mm[.169 in]
Tongue Thickness	.6 mm[.023 in]
Product Length	19.8 mm[.779 in]
Barrel Inside Diameter	1.65 mm, 2.92 mm[.065 in][.114 in]
Compatible Insulation Diameter (Max)	3.1 mm[.122 in]
Compatible Insulation Diameter Range	1.78 – 3.05 mm[.075 – .122 in]

Usage Conditions

Insulation Option	Uninsulated
Operating Temperature Range	-40 – 105 °C[-40 – 221 °F]

Operation/Application

Compatible With Wire Base Material	Copper
------------------------------------	--------

Industry Standards

Government Qualified Terminal	No
-------------------------------	----

Packaging Features

Packaging Quantity	10000
Packaging Method	Strip/Reel

Other

Terminals & Splices Comment	Similar to DIN 46225.
-----------------------------	-----------------------

Product Compliance

[For compliance documentation, visit the product page on TE.com>](#)

EU RoHS Directive 2011/65/EU	Compliant
EU ELV Directive 2000/53/EC	Compliant
China RoHS 2 Directive MIIT Order No 32, 2016	No Restricted Materials Above Threshold
EU REACH Regulation (EC) No. 1907/2006	Current ECHA Candidate List: JUNE 2023 (235) Candidate List Declared Against: JAN 2023 (233) Does not contain REACH SVHC
Halogen Content	Low Halogen - Br, Cl, F, I < 900 ppm per homogenous material. Also BFR/CFR/PVC

Free

Solder Process Capability

Not reviewed for solder process capability

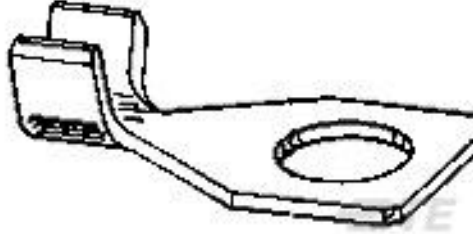
Product Compliance Disclaimer

This information is provided based on reasonable inquiry of our suppliers and represents our current actual knowledge based on the information they provided. This information is subject to change. The part numbers that TE has identified as EU RoHS compliant have a maximum concentration of 0.1% by weight in homogenous materials for lead, hexavalent chromium, mercury, PBB, PBDE, DBP, BBP, DEHP, DIBP, and 0.01% for cadmium, or qualify for an exemption to these limits as defined in the Annexes of Directive 2011/65/EU (RoHS2). Finished electrical and electronic equipment products will be CE marked as required by Directive 2011/65/EU. Components may not be CE marked. Additionally, the part numbers that TE has identified as EU ELV compliant have a maximum concentration of 0.1% by weight in homogenous materials for lead, hexavalent chromium, and mercury, and 0.01% for cadmium, or qualify for an exemption to these limits as defined in the Annexes of Directive 2000/53/EC (ELV). Regarding the REACH Regulation, the information TE provides on SVHC in articles for this part number is based on the latest European Chemicals Agency (ECHA) 'Guidance on requirements for substances in articles' posted at this URL: <https://echa.europa.eu/guidance-documents/guidance-on-reach>

Compatible Parts



TE Part # 626085-1
RING TONGUE



TE Part # 180392-2
RECT TONG M4 0,8-2,



TE Part # 2-2150280-1
OCEAN_2.0_APPLICATOR-E-110F160F



TE Part # 2-2150280-2
OCEAN_2.0_APPLICATOR-E-110F160F



TE Part # 2150280-1
OCEAN_2.0_APPLICATOR-E-110F160F



TE Part # 2150280-2
OCEAN_2.0_APPLICATOR-E-110F160F



KIT
REPRESENTATION ONLY

TE Part # 7-2150280-7
OCEAN_2.0_SPARE_PART_KIT-110F160F

Customers Also Bought



TE Part #1-964449-1
Timer Connector Housing



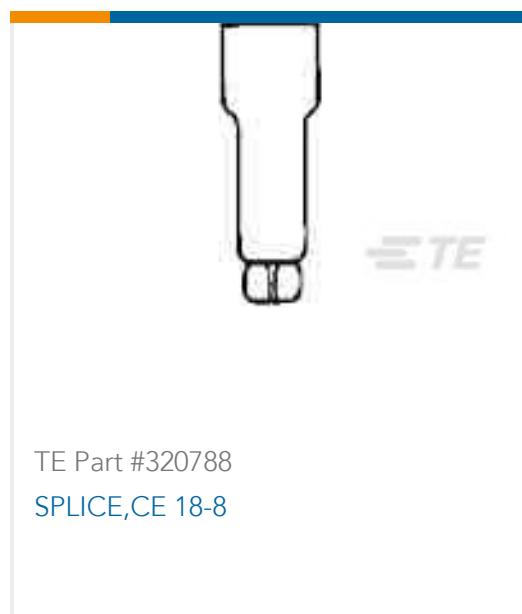
TE Part #1445957-5
HSG SUB ASY,RED



TE Part #5-160430-7
187 FASTON REC 20-16 AWG TPBR



TE Part #1445957-2
HSG SUB ASY,BLACK



Documents

Product Drawings

RING TONGUE TERMINAL 0.5 /1.5 MM2 TPBR

English

CAD Files

3D PDF

3D

Customer View Model

[ENG_CVM_CVM_626028-2_K.2d_dxf.zip](#)

English

Customer View Model

[ENG_CVM_CVM_626028-2_K.3d_igs.zip](#)

English

Customer View Model

[ENG_CVM_CVM_626028-2_K.3d_stp.zip](#)

English

Customer View Model

[ENG_CVM_626028-2_K.3d_igs.zip](#)

English

Customer View Model

[ENG_CVM_626028-2_K.3d_stp.zip](#)

English

Customer View Model

[ENG_CVM_626028-2_K.2d_dxf.zip](#)

English

3D PDF

English

By downloading the CAD file I accept and agree to the [Terms and Conditions](#) of use.

Product Specifications

EB**General Application Specification for Open Barrel Terminals

English

Application Specification

English

