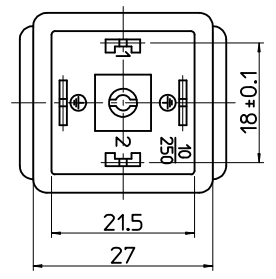
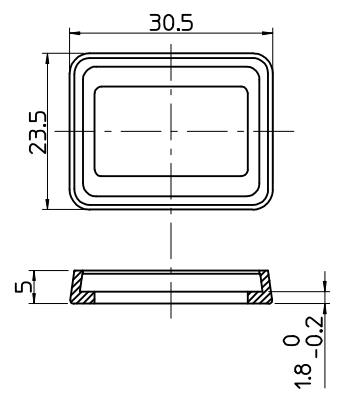
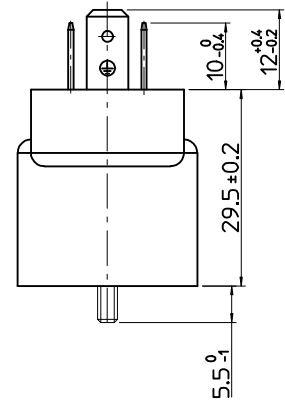
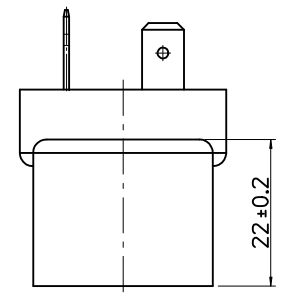
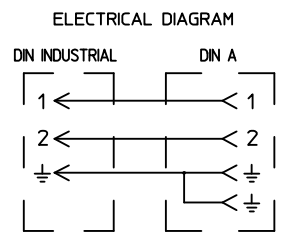
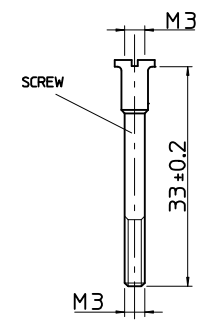
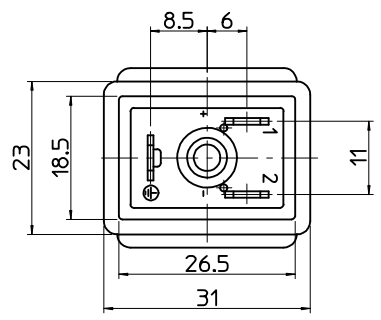


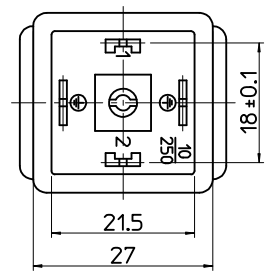
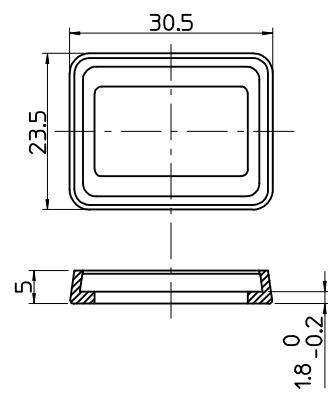
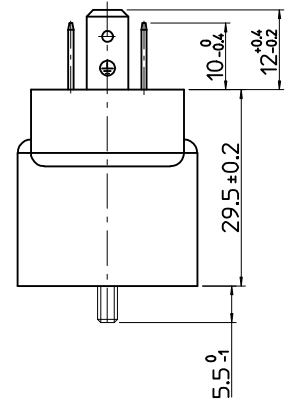
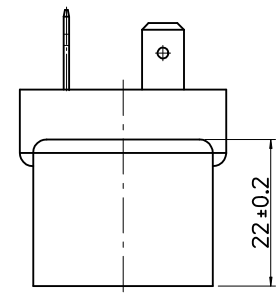
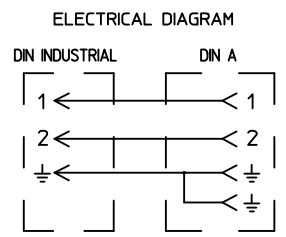
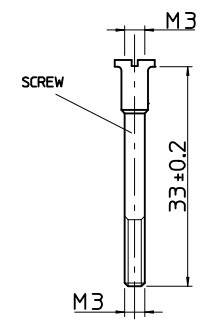
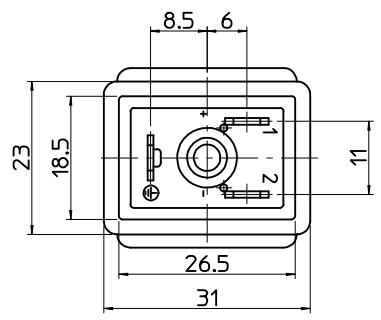
10 9 8 7 6 5 4 3 2 1



ORIGINAL RELEASE EC NO: IPG2016-0838 DRWN:APAWLAK01 2015/11/27 CHKD:KKALICIAK 2015/11/30 APPR:MIWASIECZKO 2015/12/07	QUALITY SYMBOLS 	GENERAL TOLERANCES (UNLESS SPECIFIED)		DIMENSION STYLE MM ONLY		SCALE -	DESIGN UNITS METRIC	THIRD ANGLE PROJECTION		
								TITLE ADT FORMA A/FEMM. B/MAS.		
								MATERIAL NO. 1210010446		
								DOCUMENT NO. SD-121001-013		
A	REV	DESCRIPTION	4 PLACES ± --- ± --- 3 PLACES ± --- ± --- 2 PLACES ± --- ± --- 1 PLACE ± --- ± --- 0 PLACE ± --- ± ---	mm INCH	DRAWN BY APAWLAK01	DATE 2015/11/27	SHEET NO. 1 OF 1			
DRAFT WHERE APPLICABLE MUST REMAIN WITHIN DIMENSIONS			ANGULAR ± --- °		APPROVED BY MIWASIECZKO 2015/12/07		THIS DRAWING CONTAINS INFORMATION THAT IS PROPRIETARY TO MOLEX INCORPORATED AND SHOULD NOT BE USED WITHOUT WRITTEN PERMISSION			

9 8 7 6 5 4 3 2 1

10 9 8 7 6 5 4 3 2 1



ORIGINAL RELEASE EC NO: IPG2016-0838 DRWN:APAWLAK01 2015/11/27 CHKD:KKALICIAK 2015/11/30 APPR:MIWASIECZKO 2015/12/07	QUALITY SYMBOLS ▽=0 ◻=0	GENERAL TOLERANCES (UNLESS SPECIFIED)		DIMENSION STYLE MM ONLY		SCALE -	DESIGN UNITS METRIC	THIRD ANGLE PROJECTION		
			mm	INCH	DRAWN BY	DATE	TITLE			
		4 PLACES	± ---	± ---	APAWLAK01	2015/11/27	ADT FORMA A/FEMM. B/MAS.			
		3 PLACES	± ---	± ---	CHECKED BY	DATE				
	± ---	± ---	KKALICIAK	2015/11/30	molex					
2 PLACES	± ---	± ---	APPROVED BY	DATE						
1 PLACE	± ---	± ---	MIWASIECZKO	2015/12/07	MATERIAL NO. 1210010446		DOCUMENT NO. SD-121001-013	SHEET NO. 1 OF 1		
0 PLACE	± ---	± ---	ANGULAR ± --- °		THIS DRAWING CONTAINS INFORMATION THAT IS PROPRIETARY TO MOLEX INCORPORATED AND SHOULD NOT BE USED WITHOUT WRITTEN PERMISSION					
DRAFT WHERE APPLICABLE MUST REMAIN WITHIN DIMENSIONS										

9 8 7 6 5 4 3 2 1