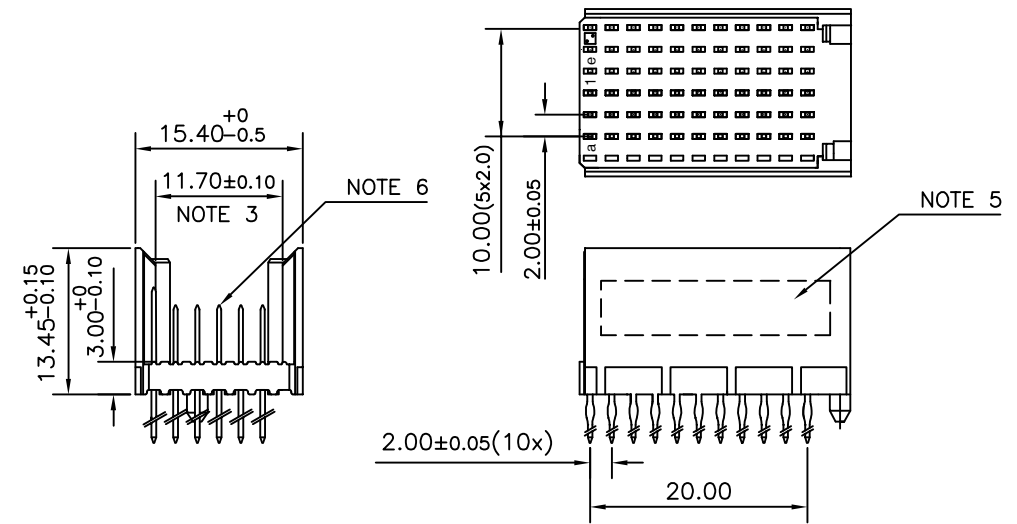


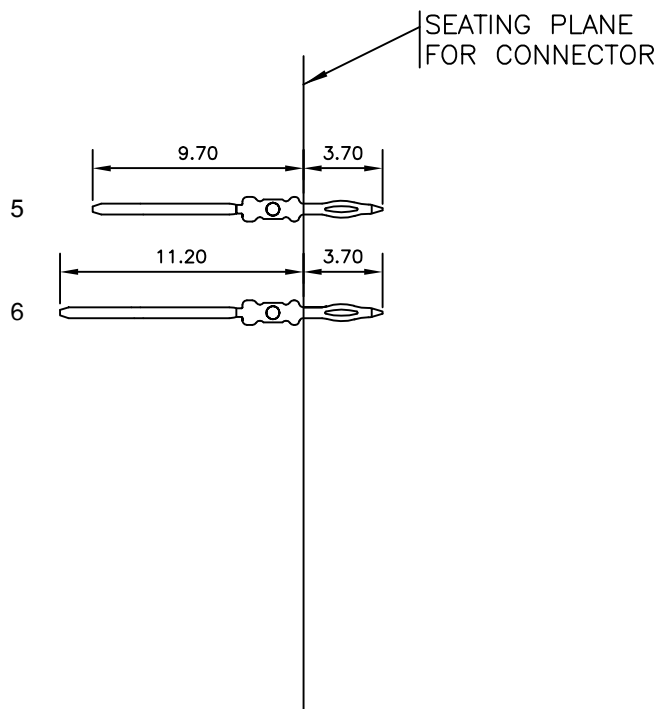
LOADING PATTERN MATING SIDE

f	6	6	6	6	6	6	6	6	6	6
e	5	5	5	5	6	5	5	5	5	5
d	5	5	5	5	6	5	5	5	5	5
c	5	5	5	5	6	5	5	5	5	5
b	5	5	5	5	6	5	5	5	5	5
a	5	5	5	5	6	5	5	5	5	5
z	0	0	0	0	0	0	0	0	0	0
POS	0	1	0	5	1	0				

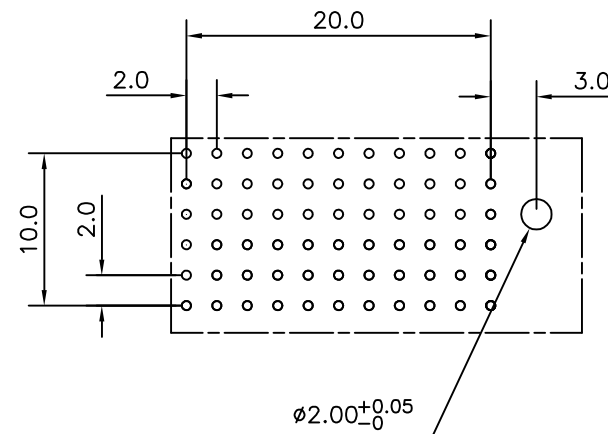
LOADED CONNECTOR ASSEMBLY
(FOR EXAMPLE)



CONTACT OVERVIEW



LAY-OUT P.C.B.-HOLE



HM2PN3PDG3P9 LEAD FREE INDICATOR : LF = LEAD FREE (DIGIT 15 & 16)
 PLATING CODE (DIGIT 13 AND 14) (REF DRW NO. BS,C , 201844 , 003)

NOTES

- THIS PRODUCT IS CSA APPROVED.
- THIS PRODUCT IS UL RECOGNIZED.
- MEASURED AT THE BOTTOM.
- MATERIAL CONTACT: PHOSPHORBRONZE
HOUSING: CREAM WHITE GLASS FILLED POLYESTER UL-94V0
- CONNECTOR PRINTED WITH P/N AND DATE CODE.
- FOR ACTUAL CONTACT LOADINGS, SEE LOADING PATTERN MATING SIDE.
- SHAPE OF CONNECTOR HOUSING CAN ALTER DEPENDING ON PRODUCTION LOCATION
- THIS PRODUCT (LF) MEETS EUROPEAN UNION DIRECTIVES AND OTHER COUNTRY REGULATIONS AS DESCRIBED IN GS-22-008
- FOR RECOMMENDED PTH DIMENSIONS REFER DRAWING : BS, A , 201572 , 001

PART NO. HM2PN3PDG3P9----

mat'l. code SEE NOTE 4				surface ISO 1302 <input checked="" type="checkbox"/> ISO 406 ISO 1101		tolerance ISO 406 ISO 1101		projection 		product family MLLIPACS	
ltr				ecn no		dr		date		title	
A				107-0121		MINI		2007-09-19		MPACS 5+2R STR HDR PF CONN TYPE C (WIDTH = 15.4 MAX)	
				angles		linear		.0±0.2		MM	
				0°±1°				.00±0.1		scale -	
				dr		MINI K VANDANATH		2007-09-19		dwg no	
				enr		BIJU K PAUL		2007-09-19		sheet 1 of 1 size 5	
				chr		BIJU K PAUL		2007-09-19		A3	
				appd		BIJU K PAUL		2007-09-19		BS, C ,203028,786	
sheet index				revision sheet		A		1		type Product Customer Drawing	