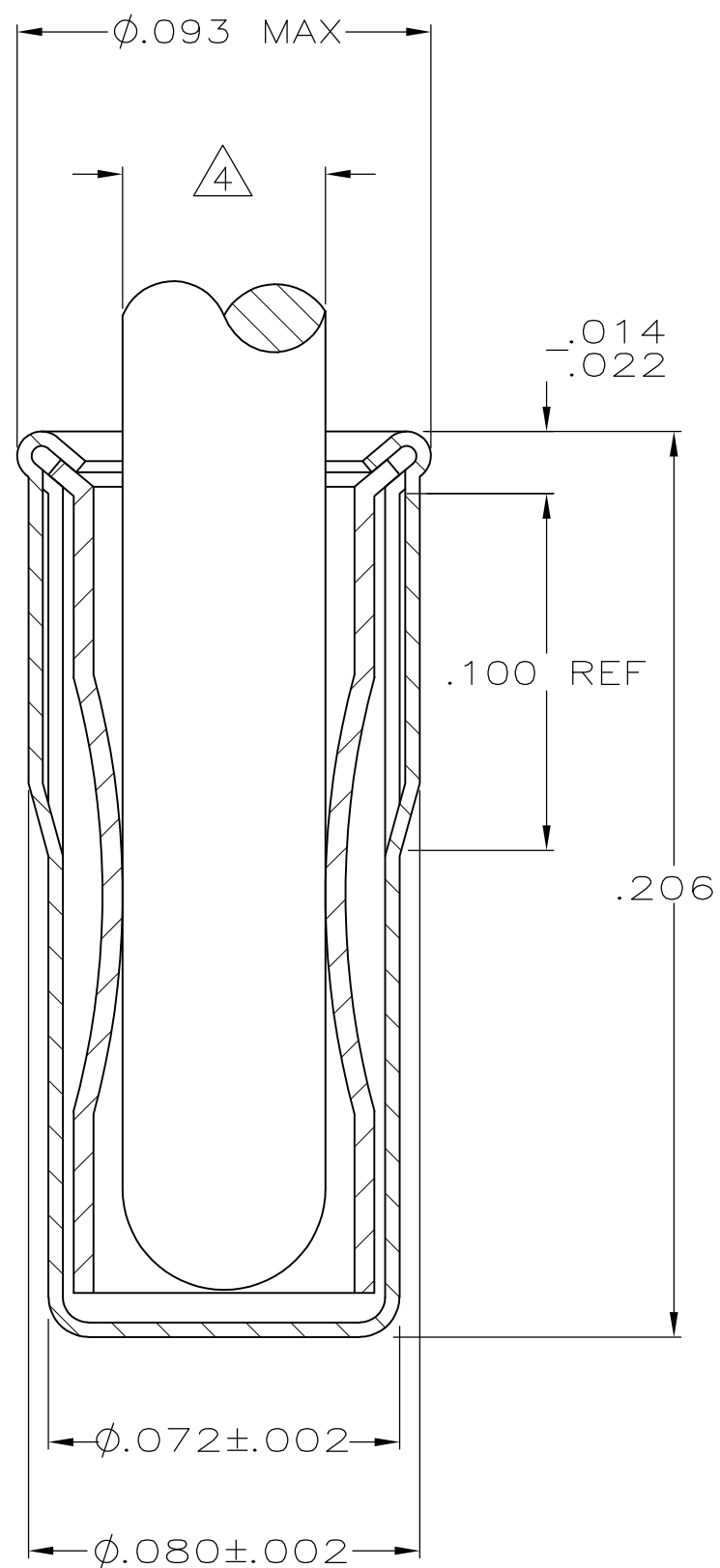
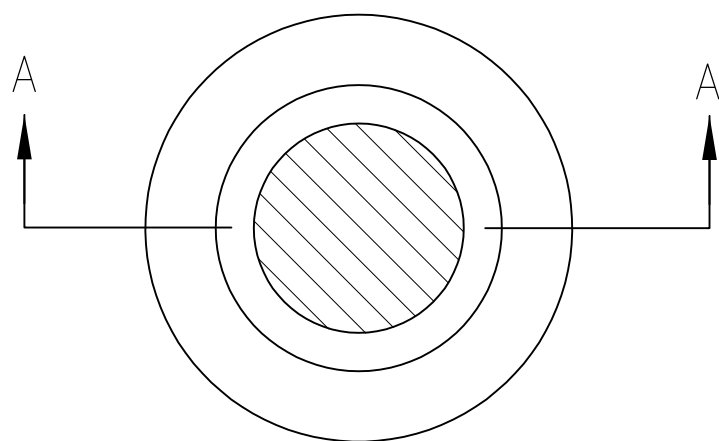


THIS DRAWING IS UNPUBLISHED. RELEASED FOR PUBLICATION
 © COPYRIGHT BY TYCO ELECTRONICS CORPORATION. ALL INTERNATIONAL RIGHTS RESERVED.

LOC		DIST		REVISIONS			
P	LTR	DESCRIPTION		DATE	DWN	APVD	
		C1		REVISED PER ECO-08-021128	02SEP08	DH DB	



SECTION A-A

- 1 PLATING:
 SPRING:
 NICKEL UNDERPLATE ALL OVER, MATING SURFACES PLATED TO MEET PERFORMANCE REQUIREMENTS OF TYCO ELECTRONICS SPECIFICATION 108-14008.
 EYELET:
 TIN .000100 THK MIN PER MIL-T-10727.
- 2. RECOMMENDED HOLE SIZES PLATED OR UNPLATED:
 HAND OR MACHINE INSERTION; .075-.078.
- 3. TO INSURE PROPER SPRING TENSION DO NOT EXCEED A .002 DIFFERENCE IN PIN DIA WHEN CHANGING TO A SMALLER PIN.
- 4. RECOMMENDED PIN DIA .040.

645508-1
 PART NUMBER

THIS DRAWING IS A CONTROLLED DOCUMENT.		DWN	R.TALLEY	2-19-90	Tyco Electronics Corporation Harrisburg, PA 17105-3608																		
DIMENSIONS: INCHES		CHK	R.MILLER	2-20-90																			
TOLERANCES UNLESS OTHERWISE SPECIFIED:		APVD	F.BOYD	2-20-90																			
<table border="1"> <tr><td>0 PLC</td><td>±</td><td>-</td></tr> <tr><td>1 PLC</td><td>±</td><td>-</td></tr> <tr><td>2 PLC</td><td>±</td><td>-</td></tr> <tr><td>3 PLC</td><td>±</td><td>.008</td></tr> <tr><td>4 PLC</td><td>±</td><td>-</td></tr> <tr><td>ANGLES</td><td></td><td>± -</td></tr> </table>		0 PLC	±	-		1 PLC	±	-	2 PLC	±	-	3 PLC	±	.008	4 PLC	±	-	ANGLES		± -	PRODUCT SPEC	NAME	
0 PLC	±	-																					
1 PLC	±	-																					
2 PLC	±	-																					
3 PLC	±	.008																					
4 PLC	±	-																					
ANGLES		± -																					
<table border="1"> <tr><td>MATERIAL</td><td>BERYLLIUM COPPER</td></tr> <tr><td>SPRING</td><td>QQ-C-533</td></tr> <tr><td>EYELET</td><td>COPPER</td></tr> <tr><td></td><td>QQ-C-576</td></tr> </table>		MATERIAL	BERYLLIUM COPPER	SPRING	QQ-C-533	EYELET	COPPER		QQ-C-576	FINISH	1		RESTRICTED TO	-									
MATERIAL	BERYLLIUM COPPER																						
SPRING	QQ-C-533																						
EYELET	COPPER																						
	QQ-C-576																						
WEIGHT		-		SCALE	NTS	SHEET	1 OF 1	REV	C1														
CUSTOMER DRAWING		A2 00779		C=645508																			