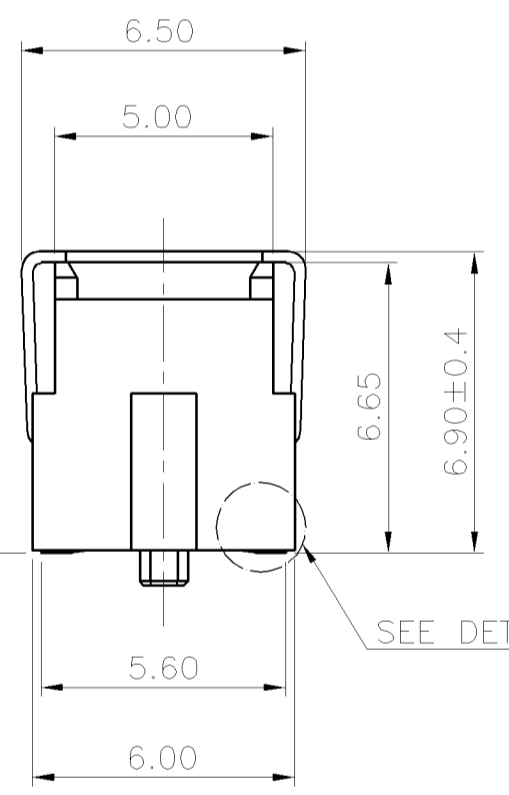
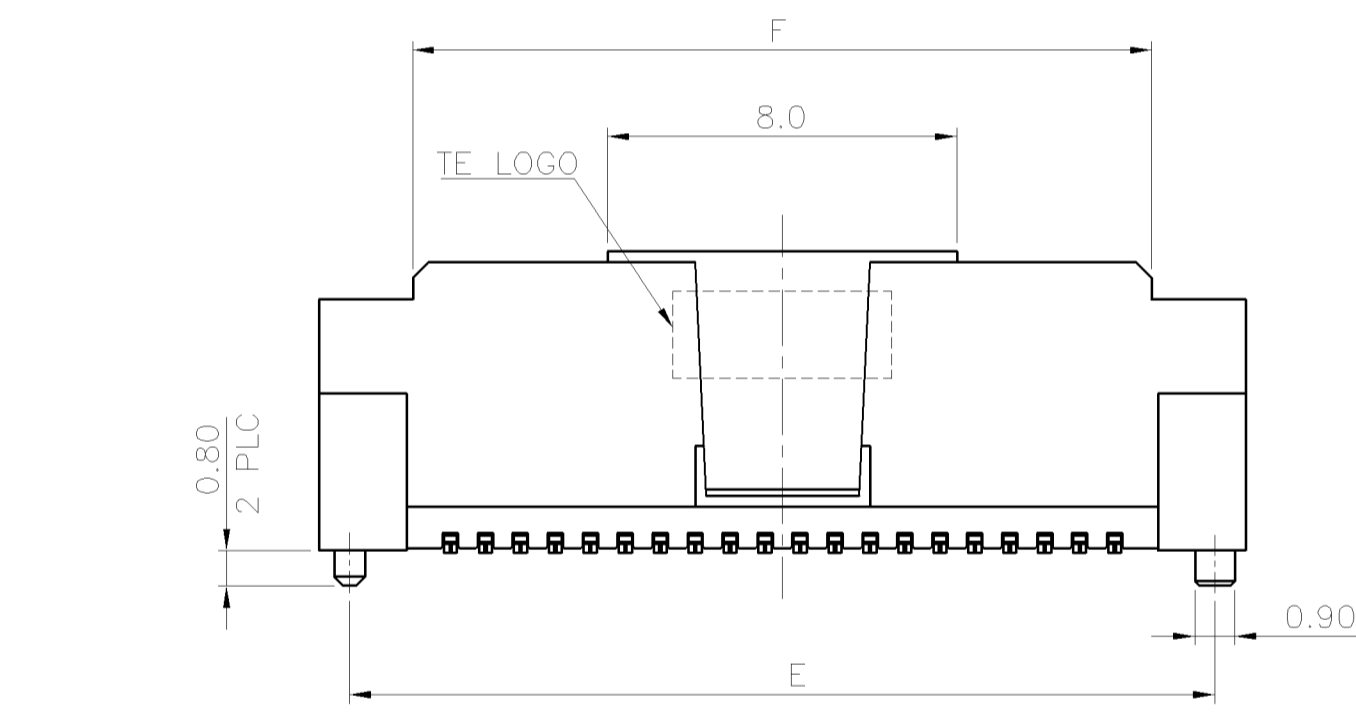
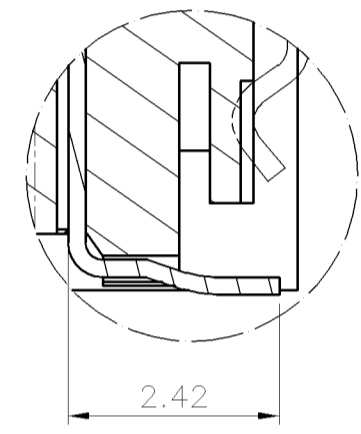
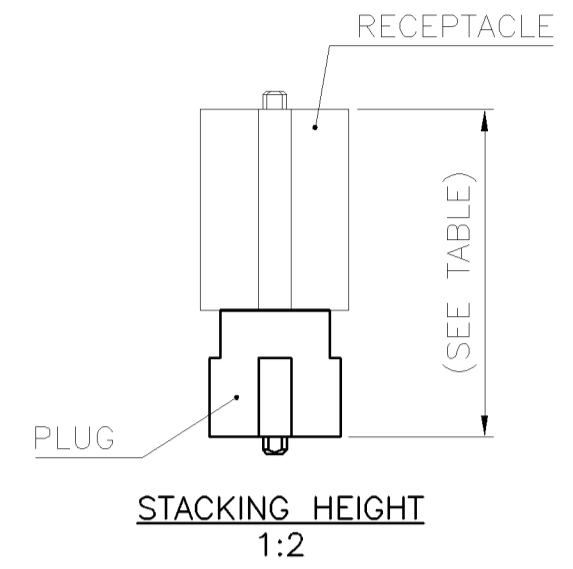
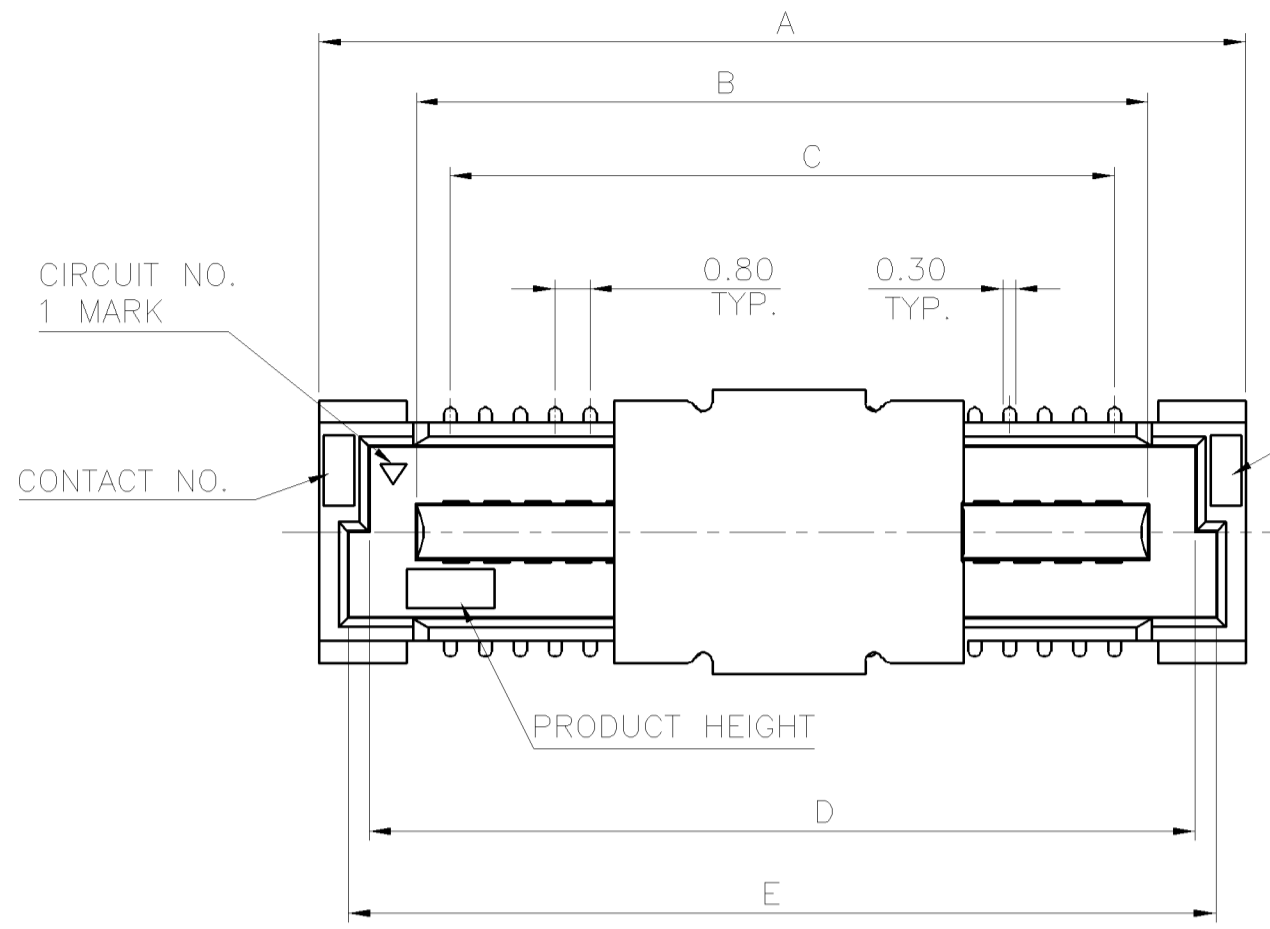


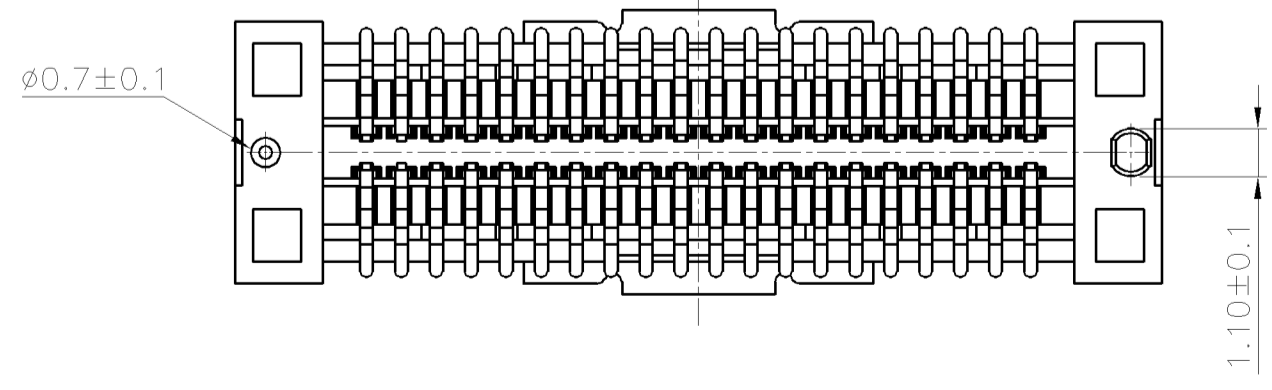
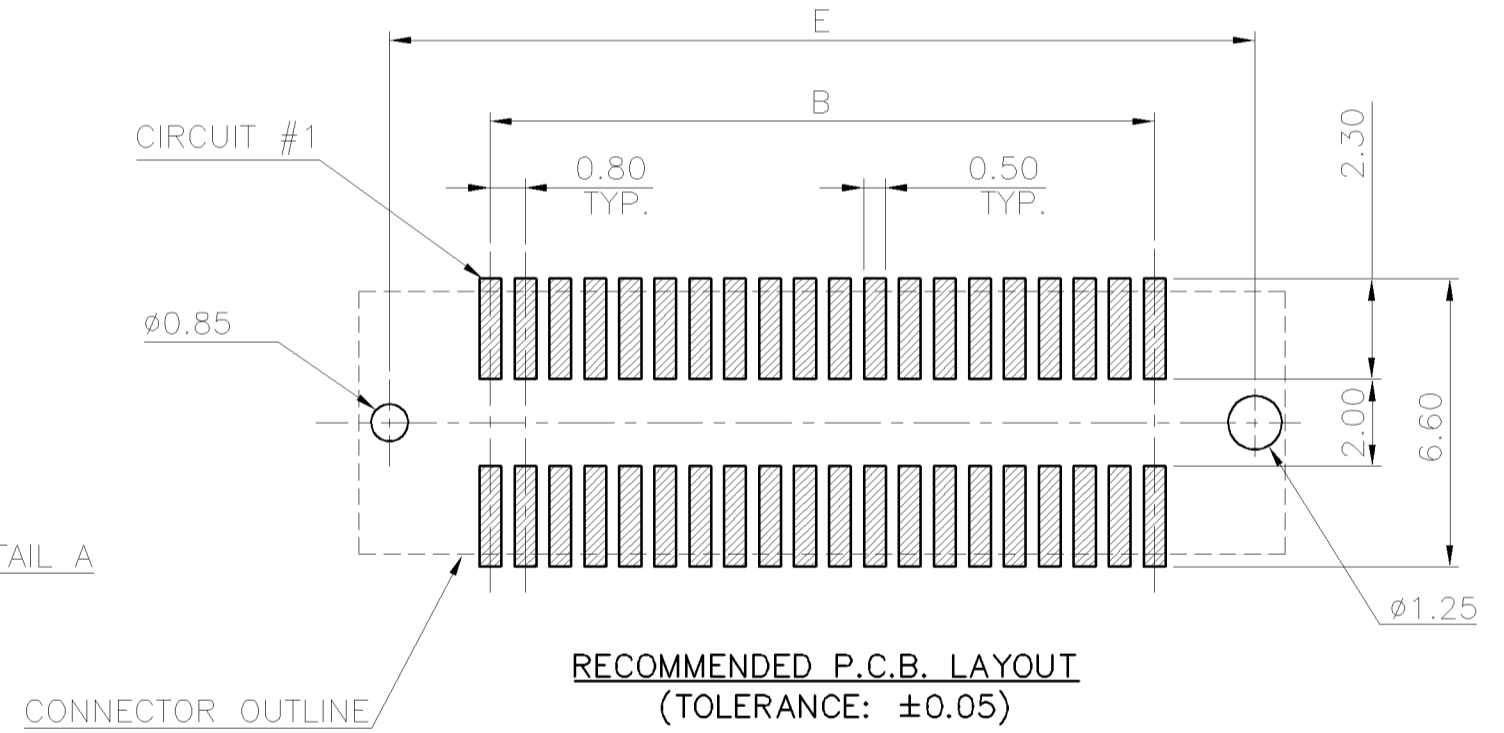
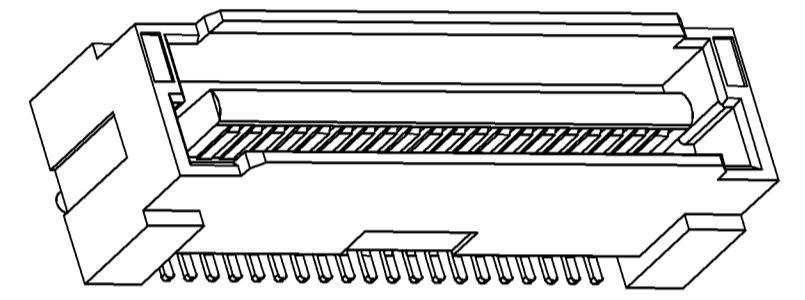
THIS DRAWING IS UNPUBLISHED. RELEASED FOR PUBLICATION  
 © COPYRIGHT BY TYCO ELECTRONICS CORPORATION. ALL RIGHTS RESERVED.

LOC	DIST	REVISIONS			
P	LTR	DESCRIPTION	DATE	DWN	APVD
DW	—	B	ECR-08-000010	02JAN08	AW WK



0.10  
ALL SOLDER TAILS

- NOTE:
- MATERIAL:  
HOUSING: LCP WITH 30% GF, UL 94V-0, NATURAL COLOR.  
CONTACTS: PHOSPHOR BRONZE.  
CAP: BRASS.
  - FINISH:  
CONTACTS: GOLD FLASH PLATED ON CONTACT AREA, 2.54µm [100µ"] MIN.  
MATTE-TIN ON SOLDER TAIL, WITH ENTIRE CONTACT UNDERPLATED  
1.27µm [50µ"] MIN. NICKEL.  
CAP: 0.762µm [30µ"] MIN. NICKEL.
  - REFLOW SOLDER CAPABLE TO 260°C PER 109-201, CONDITION B.



WEIGHT(g)	G	F	E	D	C	B	A	RECEPTACLE P/N	STACKING HEIGHT	NO. OF CONTACTS	PART NUMBER
0.88	19.8	16.9	19.85	18.9	15.20	16.74	21.20	1775729-1	11	40	1775876-2
0.725	13.4	10.50	13.45	12.5	8.80	10.4	14.80	1775877-1	15	24	1775876-1

THIS DRAWING IS A CONTROLLED DOCUMENT.

DIMENSIONS: MM	TOLERANCES UNLESS OTHERWISE SPECIFIED:	DWN A. WU 21JAN2008	Tyco Electronics Corporation Taipei, Taiwan	
	0 PLC ± -	CHK S. HOU 21JAN2008	<b>0.8 mm PITCH BOARD-TO-BOARD CONNECTOR, FH, PLUG</b>	
	1 PLC ± 0.25	APVD W. KODAMA 21JAN2008		
	2 PLC ± 0.2	PRODUCT SPEC	NAME	
	3 PLC ± -	108-57610	QUALIFICATION TEST REPORT	
MATERIAL SEE NOTE	FINISH SEE NOTE	4 PLC ± -	501-57709	
		ANGLES ± -	WEIGHT SEE TABLE	
		FINISH ± -	A300779 C-1775876	
			CUSTOMER DRAWING	
			SCALE -	SHEET 1 OF 2
			REV B	

THIS DRAWING IS UNPUBLISHED.

RELEASED FOR PUBLICATION

- , - .

© COPYRIGHT BY TYCO ELECTRONICS CORPORATION.

ALL RIGHTS RESERVED.

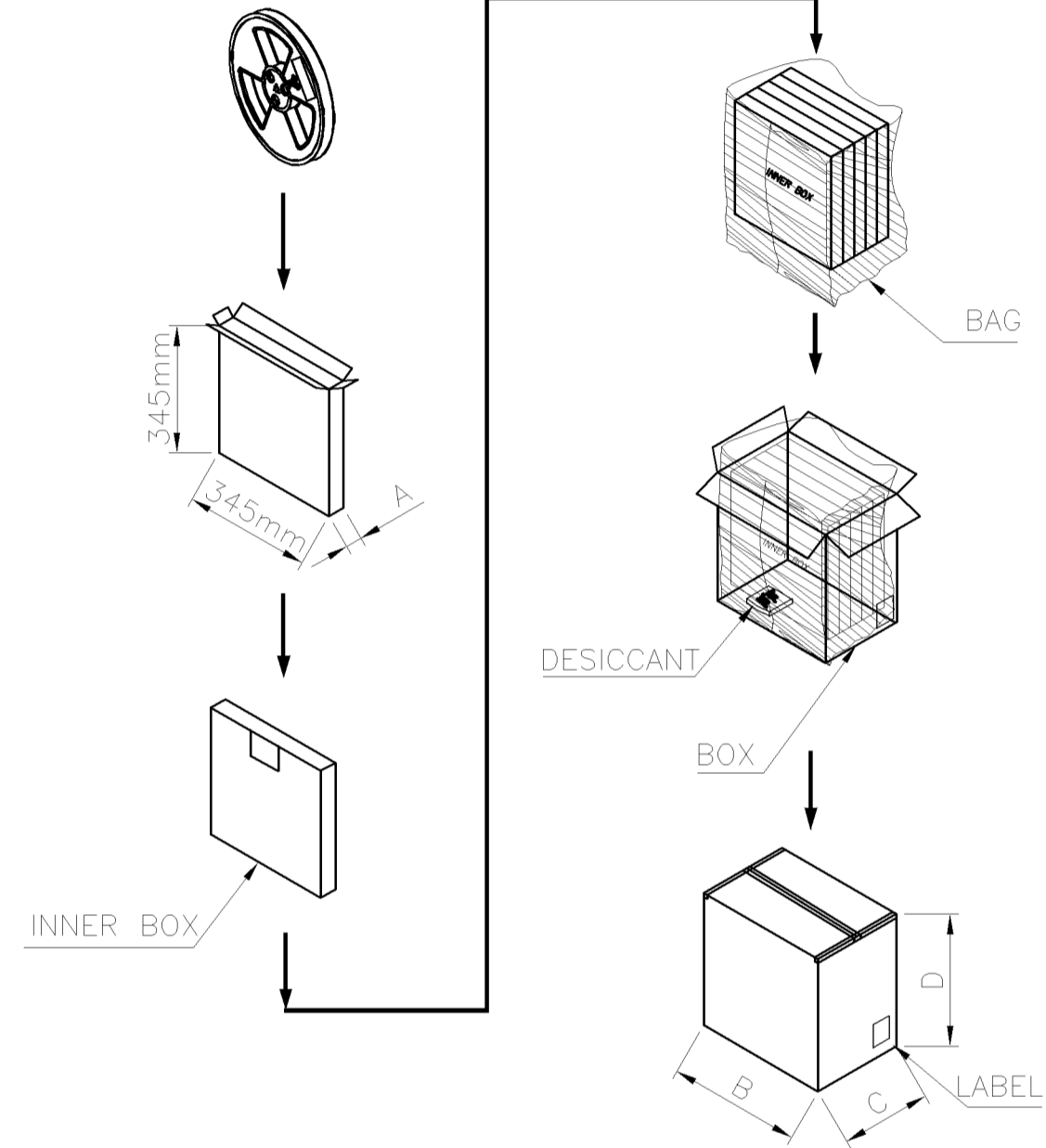
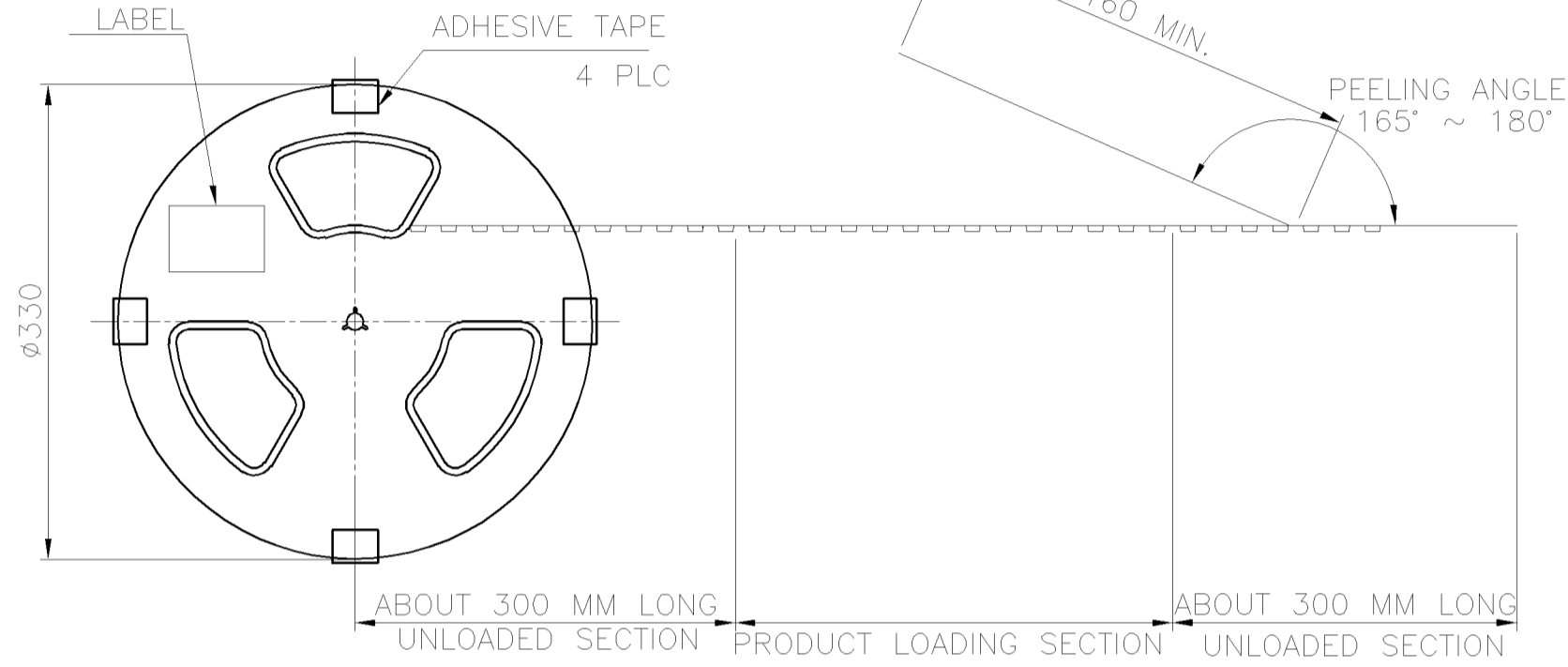
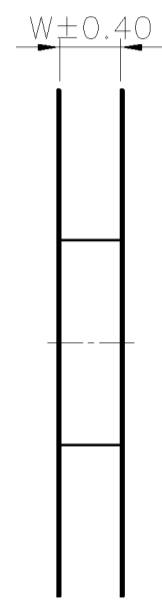
LOC DW

DIST -

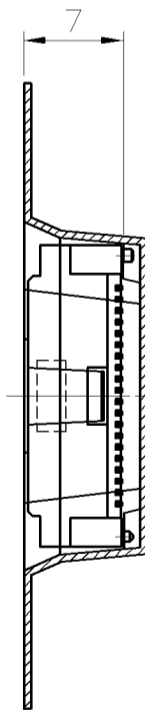
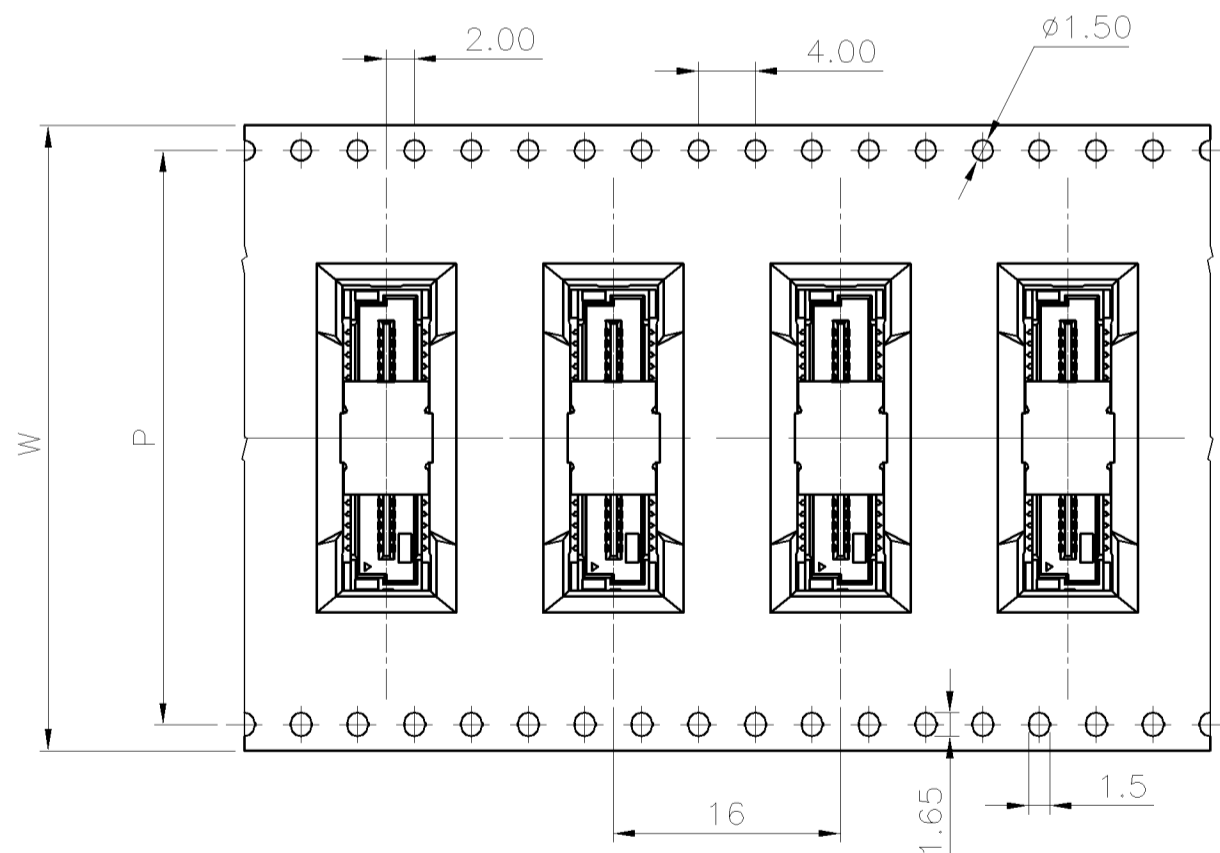
REVISIONS

P	LTR	DESCRIPTION	DATE	DWN	APVD
		SEE SHEET 1.			

NO. OF CONTACTS	A	B	C	D	W	P
24	40	380	250	390	32	28.4
40	60	365	350	380	44	40.4



TOP OF TAPE



4.11 Kg	1.76 Kg	400	5	2000 PCS	40
3.8 Kg	1.45 Kg	400	5	2000 PCS	24
GROSS WEIGHT	NET WEIGHT	PCS/TAPE	REELS	QUANTITY	NO. OF CONTACTS

THIS DRAWING IS A CONTROLLED DOCUMENT.

DIMENSIONS:	TOLERANCES UNLESS OTHERWISE SPECIFIED:
MM	
	0 PLC ± -
	1 PLC ± -
	2 PLC ± -
	3 PLC ± -
	4 PLC ± -
	ANGLES ± -
MATERIAL	FINISH

DWN	A. WU	21JAN2008
CHK	S. HOU	21JAN2008
APVD	W. KODAMA	21JAN2008
PRODUCT SPEC	-	-
APPLICATION SPEC	-	-
WEIGHT	-	-
CUSTOMER DRAWING		

		Tyco Electronics Corporation Taipei, Taiwan	
NAME			
0.8 mm PITCH BOARD-TO-BOARD CONNECTOR, FH, PLUG			
SIZE	CAGE CODE	DRAWING NO	RESTRICTED TO
A3	00779	C-1775876	-
SCALE -		SHEET 2 OF 2	REV B