



SPLICE

TE Internal #: 485043-4

Splices, Thru Splice, 14 – 11 AWG Wire Size, 2 – 4.5 mm² Wire Size, Splice Capacity 3, Serrated, 4000 – 9000 CMA Wire Size, Steel, 4 Serration, SPLICE

[View on TE.com >](#)

Terminals & Splices > Splices



Wire Size: 2 – 4.5 mm²

Sealable: No

Splice Capacity: 3

Splice Features: **Serrated**

Features

Product Type Features

Sealable	No
Splice Type	Thru Splice
Compatible With Discrete Wire Type	Solid, Stranded
Wire Insulation Support Retention Type	Non-Insulation Support

Configuration Features

Strip Orientation	Side Feed
Splice Capacity	3
Number of Serrations	4
Compatible With Wire & Cable Type	Discrete Wire

Electrical Characteristics

Operating Voltage	250 V
-------------------	-------

Body Features

Splice Features	Serrated
-----------------	----------

Contact Features

--	--



Terminal Plating Material	Nickel
Contact Base Material	Steel
Barrel Type	Open

Mechanical Attachment

Wire Insulation Support	Without
-------------------------	---------

Dimensions

Wire Size	4000 – 9000 CMA
Terminal Material Thickness	.51 mm[.02 in]
Product Length	6.25 mm[.25 in]

Usage Conditions

Insulation Option	Uninsulated
Operating Temperature Range	-40 – 250 °C[-40 – 482 °F]

Operation/Application

Compatible With Wire Base Material	Copper
------------------------------------	--------

Industry Standards

Government Qualified Splice	No
-----------------------------	----

Packaging Features

Packaging Method	Strip
------------------	-------

Product Compliance

[For compliance documentation, visit the product page on TE.com>](#)

EU RoHS Directive 2011/65/EU	Compliant
EU ELV Directive 2000/53/EC	Compliant
China RoHS 2 Directive MIIT Order No 32, 2016	No Restricted Materials Above Threshold
EU REACH Regulation (EC) No. 1907/2006	Current ECHA Candidate List: JUNE 2023 (235) Candidate List Declared Against: JAN 2023 (233) Does not contain REACH SVHC
Halogen Content	Low Halogen - Br, Cl, F, I < 900 ppm per homogenous material. Also BFR/CFR/PVC Free
Solder Process Capability	Not applicable for solder process capability

Product Compliance Disclaimer

This information is provided based on reasonable inquiry of our suppliers and represents our current actual knowledge based on the information they provided. This information is subject to change. The part numbers that TE has identified as EU RoHS compliant have a maximum concentration of 0.1% by weight in homogenous materials for lead, hexavalent chromium, mercury, PBB, PBDE, DBP, BBP, DEHP, DIBP, and 0.01% for cadmium, or qualify for an exemption to these limits as defined in the Annexes of Directive 2011/65/EU (RoHS2). Finished electrical and electronic equipment products will be CE marked as required by Directive 2011/65/EU. Components may not be CE marked. Additionally, the part numbers that TE has identified as EU ELV compliant have a maximum concentration of 0.1% by weight in homogenous materials for lead, hexavalent chromium, and mercury, and 0.01% for cadmium, or qualify for an exemption to these limits as defined in the Annexes of Directive 2000/53/EC (ELV). Regarding the REACH Regulation, the information TE provides on SVHC in articles for this part number is based on the latest European Chemicals Agency (ECHA) 'Guidance on requirements for substances in articles' posted at this URL: <https://echa.europa.eu/guidance-documents/guidance-on-reach>

Compatible Parts



Also in the Series | **SPLICE**



Crimp Wire Pins, Tabs & Ferrules(1)

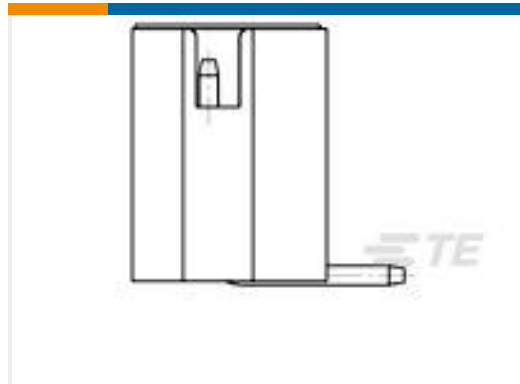


Splices(64)

Customers Also Bought



TE Part #T4132012031-000
M12,FRONT MOUNT,MALE,A,3P,
SOLDER WIRE



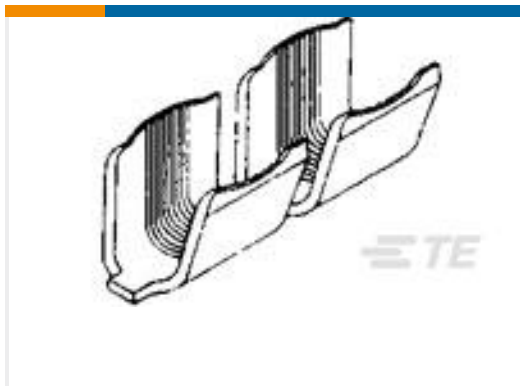
TE Part #1775470-5
HPI CONN., 2.0MM, V/T, SMT, 5P,
80U"



TE Part #770583-1
16P MINI UMNL PLUG HSG



TE Part #61299-1
SPLICE 7000-12500 .031 TPST



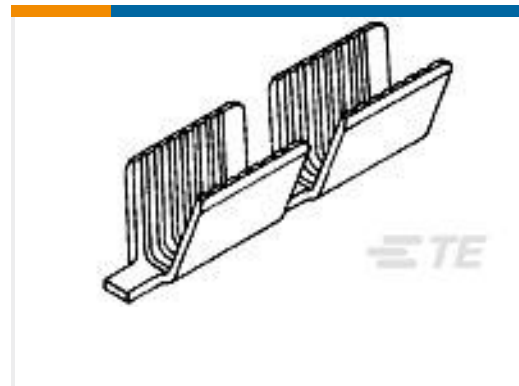
TE Part #42778-2
SPLICE AMPLIVAR 600-3000 CMA



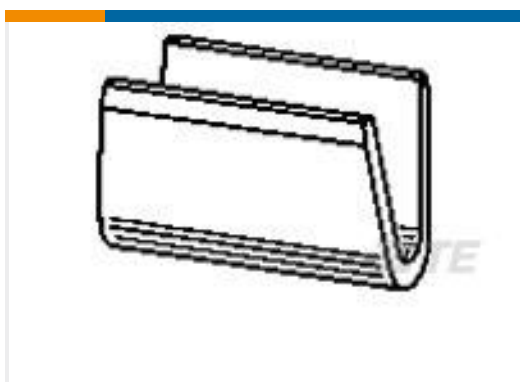
TE Part #63130-3
SPLICE REC. 1500-5000 .020 TPBR



TE Part #62754-1
SPLICE 14000-30000 .030 BR



TE Part #62295-1
AMVAR SPLC 7000-12000 025TPBR



TE Part #160660-2
SPLICE 22-18 AWG .013 TPBR



TE Part #63467-1
FF 250 REC 14-10AWG TPBR

Documents

Product Drawings

[SPLICE 4000-9000 .020 NPST](#)

English

CAD Files

[3D PDF](#)

3D

[Customer View Model](#)

[ENG_CVM_CVM_485043-4_AG.2d_dxf.zip](#)



English

Customer View Model

[ENG_CVM_CVM_485043-4_AG.3d_igs.zip](#)

English

Customer View Model

[ENG_CVM_CVM_485043-4_AG.3d_stp.zip](#)

English

By downloading the CAD file I accept and agree to the [Terms and Conditions](#) of use.

Product Specifications

[Application Specification](#)

English

Product Environmental Compliance

[Product Compliance](#)

English

[Product Compliance](#)

English