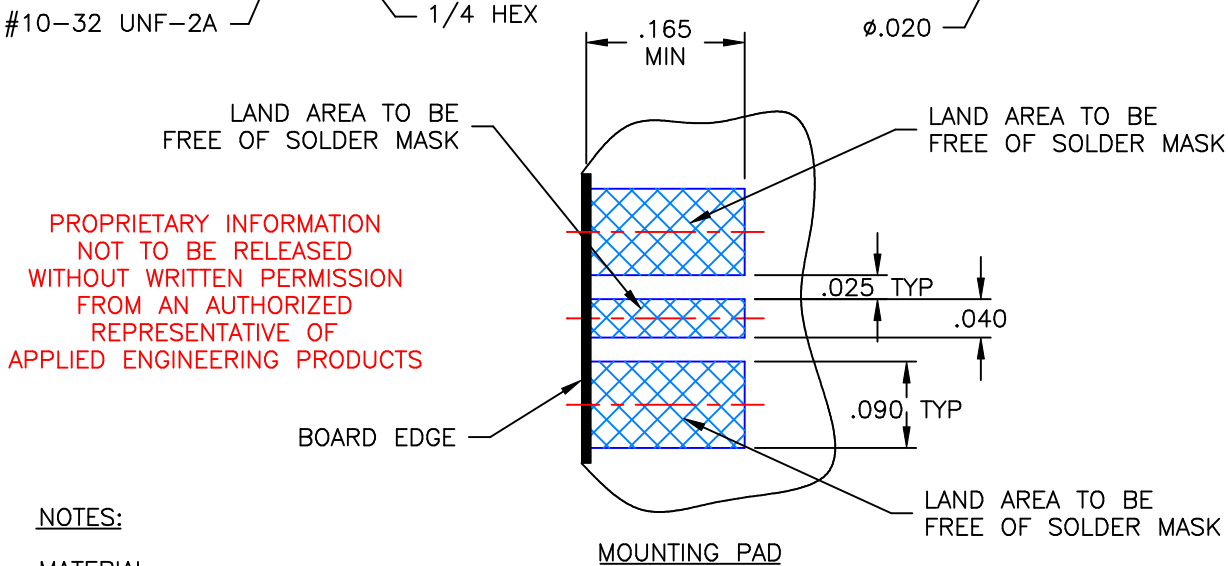
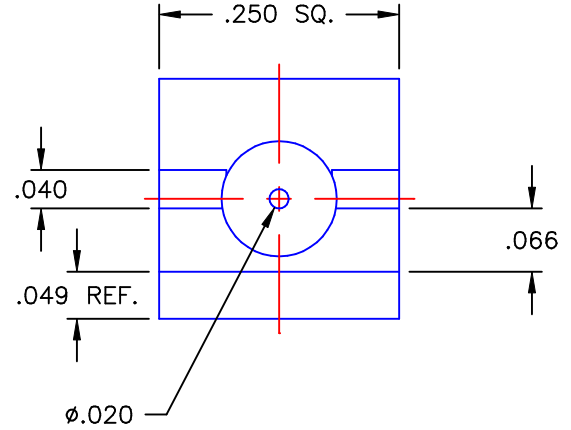
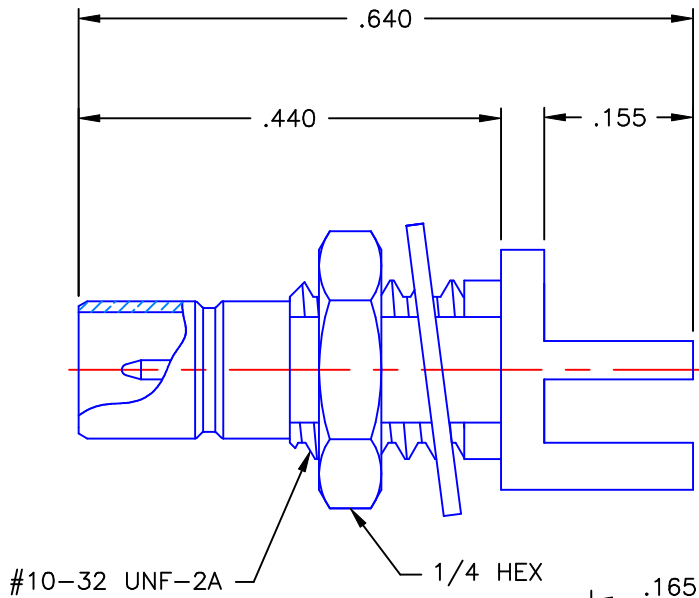


| REVISIONS |                  |          |          |
|-----------|------------------|----------|----------|
| REV       | DESCRIPTION      | DATE     | APPROVED |
| -         | INITIAL RELEASE  | 04/21/99 | A.M.     |
| A         | UPDATED "D" FLAT | 05/03/99 | A.M.     |
| B         | ECO #3153        | 06/25/99 | D.N.     |
| C         | ECO #5420        | 06/04/04 | D.N.     |
| D         | ECO #6160        | 03/02/06 | D.N.     |



PROPRIETARY INFORMATION  
NOT TO BE RELEASED  
WITHOUT WRITTEN PERMISSION  
FROM AN AUTHORIZED  
REPRESENTATIVE OF  
APPLIED ENGINEERING PRODUCTS


**NOTES:**

**MATERIAL:**

1. INSULATOR = VIRGIN WHITE TEFLON PER ASTM D1710, GRADE 1, TYPE I, CLASS "B".
2. LOCKWASHER = PHOSPHOR BRONZE PER ASTM B139 COPPER ALLOY C53400, TEMPER H04.
3. ALL OTHER METAL PARTS = BRASS PER ASTM B16, ALLOY C36000, TEMPER H02.

**FINISHES:**

1. CONTACT = GOLD PLATE PER MIL-G-45204 TYPE II, CLASS 1, GRADE C OVER .00010 TO .00020 STRESS FREE SULFAMATE NICKEL PER QQ-N-290.
2. ALL OTHER METAL PARTS = GOLD PLATE PER MIL-G-45204 TYPE II, CLASS 0, GRADE C, OVER .00010 TO .00020 COPPER STRIKE PER MIL-C-14550.

|   |                                   |            |                |  |                 |
|---|-----------------------------------|------------|----------------|--|-----------------|
| UNLESS OTHERWISE SPECIFIED DIMENSIONS ARE IN INCHES TOLERANCES ON |                                   | DWN: A.M.  | DATE: 04/21/99 |  <b>APPLIED ENGINEERING PRODUCTS</b><br>104 John W. Murphy Dr.<br>New Haven, CT 06513 |                 |
|   |                                   | CHKD: D.N. | DATE: 04/21/99 |  |                 |
| DECIMAL   | ANGLE                             | APVD: G.L. | DATE: 04/21/99 | <b>MINIATURE 75 OHM STRAIGHT MALE BULKHEAD/EDGE MOUNT AIR DIELECTRIC RECEPTACLE</b>  |                 |
| REFERENCE:  | MATERIALS AND FINISHES: SEE NOTES |            | SIZE: A        |  | FSCM NO.: 19505 |
| ORIGINATOR: A.M.  | DATE: 04/21/99                    |            |                | DWG NO.: 8808-1511-001   | REV: D          |
|   |                                   | SCALE: 5:1 |                | THIRD ANGLE PROJECTION   | SHEET 1 OF 1    |

8808-1511-001