

Part Number: D313337

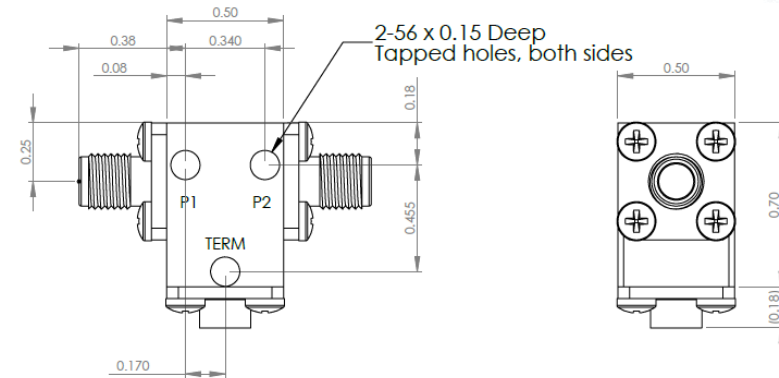
Electrical Specifications

Frequency Range (GHz):	33.0 – 37.0
Isolation (dB):	18 MIN
Insertion Loss (dB):	0.7 MAX
VSWR:	1.25:1 MIN
Forward Power (W):	5 AVG 30 PK
Reflective Power (W):	2 AVG

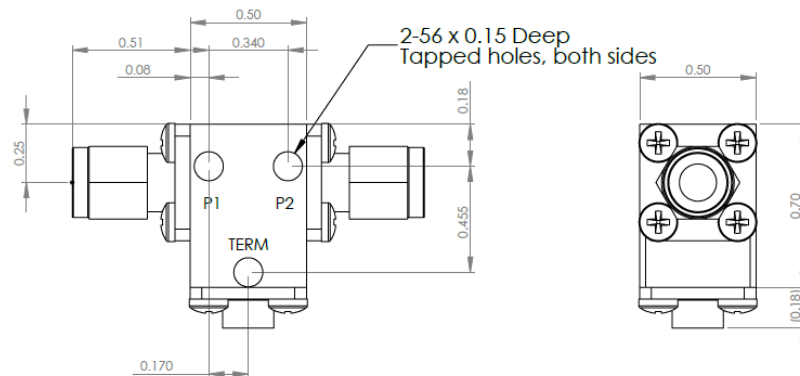
Mechanical/Environmental Specifications

Connector Type:	K (2.92mm)
Connector Body:	Passivated stainless steel
Connector Pin:	Gold plated copper
Load Body:	Brass
Magnetic Shunt:	Nickel plated CRS
Operational Temp:	-20°C to +65°C
Weight (oz)	0.9 MAX

D313337 Dimensions



D313337-3 Dimensions



Dimensions are in inches
Tolerance

XX ±0.03
XXX ±0.010

Type of Device	PN Suffix	Connector Configuration Input / Output	PN Example
Single and Dual Junction Isolator, 2-Port Device	N/A	Female / Female	D313337
	-1	Male / Female	D313337-1
	-2	Female / Male	D313337-2
	-3	Male / Male	D313337-3



MEASURED DATA

Part Number: D3I3337, +25°C

