
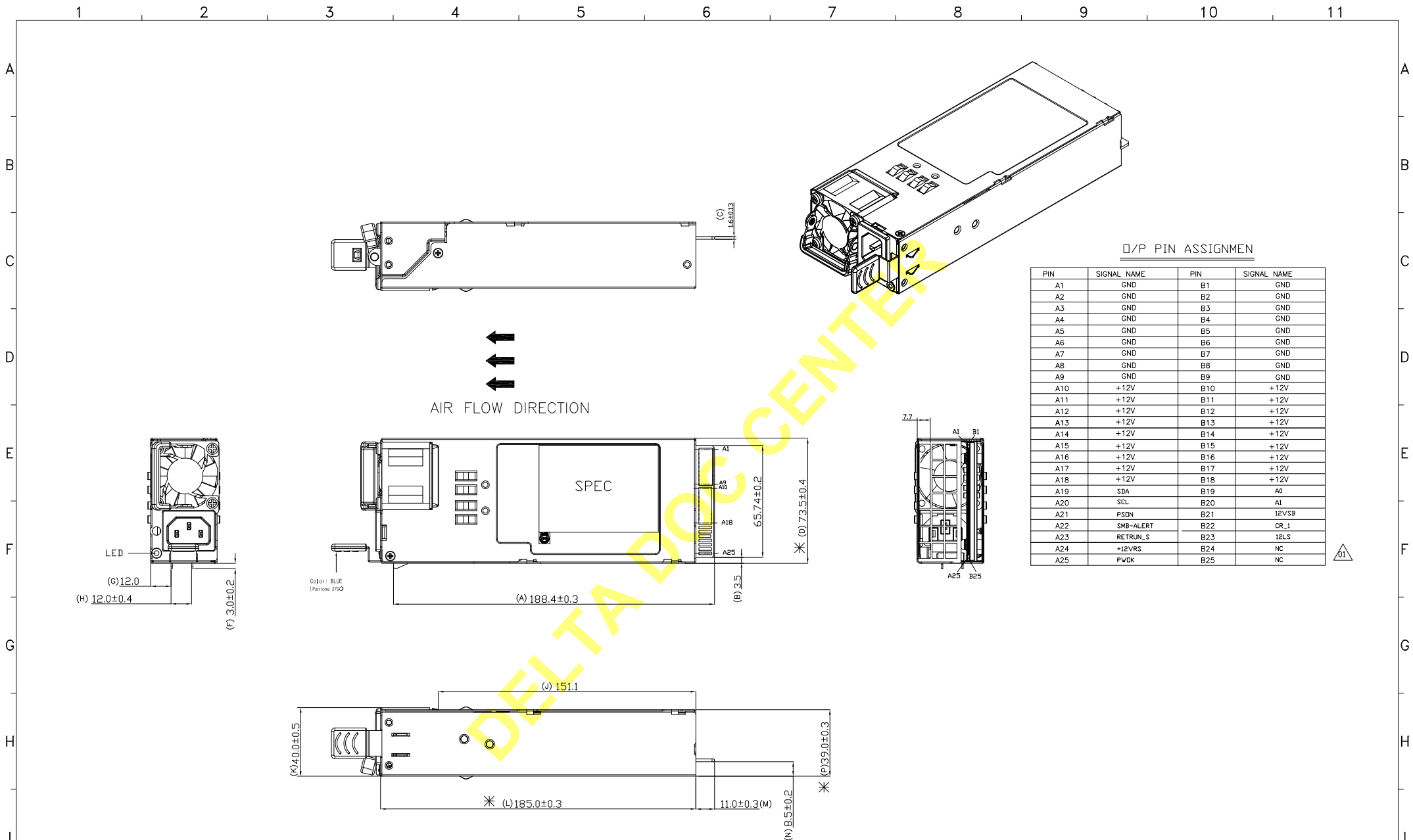


REV.	Description	REV.	Description
01	B24,B25 CHANGE TO NC JAME.DENG 10/12'15		 DDCC-ChungLi Document is Released 2018.07.06 15:11:46 +08'00'
02	ADD Retention Holder JAME.DENG 1/16'18		
03	Del. Retention Holder JAME.DENG 7/3'18		

DELTA DOC CENTER

 <b>台達電子工業股份有限公司</b> <b>DELTA ELECTRONICS, INC.</b>	Description: Physical Dimensions of Power Supply	
	Part No.	DPS-550AB-11 D
	USED ON SHEET	DPS-550AB-11 D 2 OF 2
THESE DRAWINGS AND SPECIFICATIONS ARE THE PROPERTY OF DELTA ELECTRONICS, INC. AND SHALL NOT BE REPRODUCED OR USED AS THE BASIS FOR THE MANUFACTURE OR SELL OF APPARATUSES OR DEVICES WITHOUT PERMISSION.	REV.	03



O/P PIN ASSIGNMEN

PIN	SIGNAL NAME	PIN	SIGNAL NAME
A1	GND	B1	GND
A2	GND	B2	GND
A3	GND	B3	GND
A4	GND	B4	GND
A5	GND	B5	GND
A6	GND	B6	GND
A7	GND	B7	GND
A8	GND	B8	GND
A9	GND	B9	GND
A10	+12V	B10	+12V
A11	+12V	B11	+12V
A12	+12V	B12	+12V
A13	+12V	B13	+12V
A14	+12V	B14	+12V
A15	+12V	B15	+12V
A16	+12V	B16	+12V
A17	+12V	B17	+12V
A18	+12V	B18	+12V
A19	SDA	B19	A0
A20	SCL	B20	A1
A21	PSON	B21	12VSB
A22	SMB-ALERT	B22	CR_1
A23	RETRUN_S	B23	12LS
A24	+12VRS	B24	NC
A25	PWOK	B25	NC



NOTES: TOLERANCES OF ALL DIMENSIONS ARE ±0.5mm UNLESS OTHERWISE SPECIFIED.  
 MATING CONNECTOR IS FCI 10035388-102LF (DUAL ROW 2x25 TOTOL 50PIN) OR EQUIVALENT.

台達電子工業股份有限公司 DELTA ELECTRONICS, INC.	Drawn: 鄧合龍 1/14'15	Design: 鄧合龍 1/14'15
	Description: Physical Dimensions of Power Supply	
Part No. <b>DPS-550AB-11 D</b>	REV. 03	
SHEET 1 OF 2 ISSUE DATE: 1/14'15		

THIRD ANGLE PROJECTION

DIMENSIONAL TOLERANCES  
 ( ) : ±0.25 DECIMALS UP-100 : ±0.2 250-300 : ±0.4 UP-600 : ±1.5  
 >30-100 : ±0.35 X : ±0.3 100-150 : ±0.25 300-350 : ±0.45 600-900 : ±2.4  
 >100-200 : ±0.5 X.X : ±0.2 100-200 : ±0.3 300-400 : ±0.5 900-OVER : ±0.1  
 ABOVE 300 : ±0.6 X.XX : ±0.1 200-250 : ±0.35

HOLES : ±0.05 ANGLES : ±0.5°  
 SCALE UNIT USED ON **DPS-550AB-11 D**