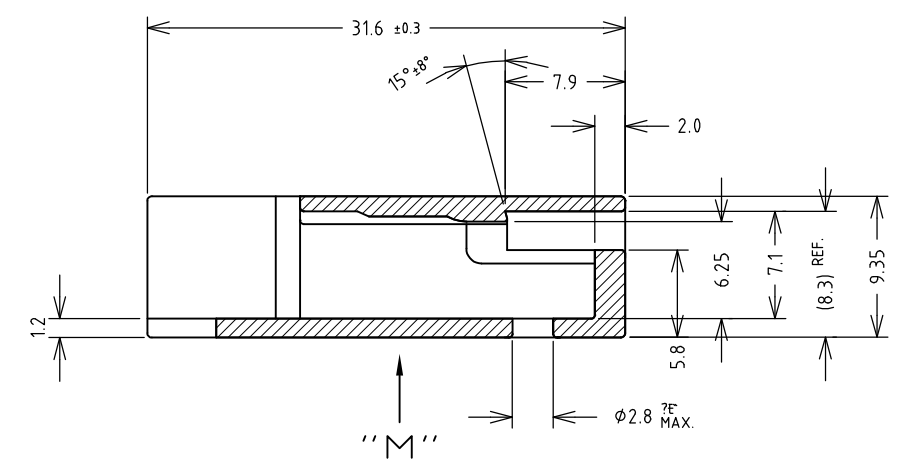
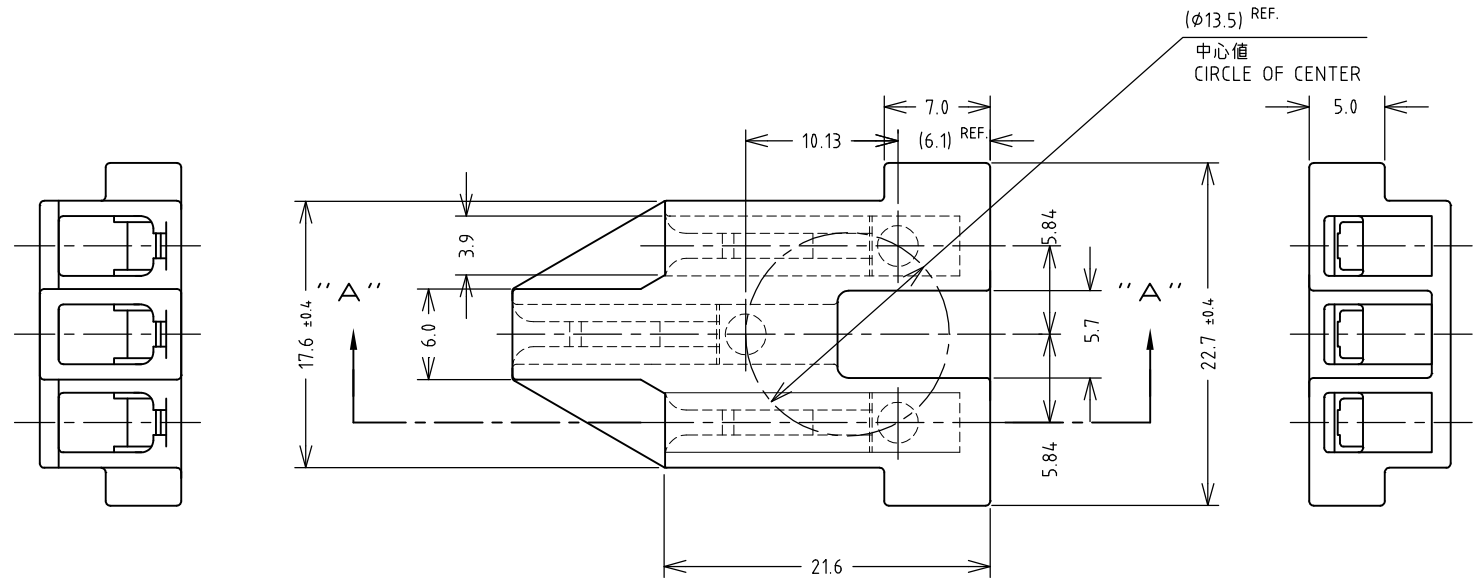
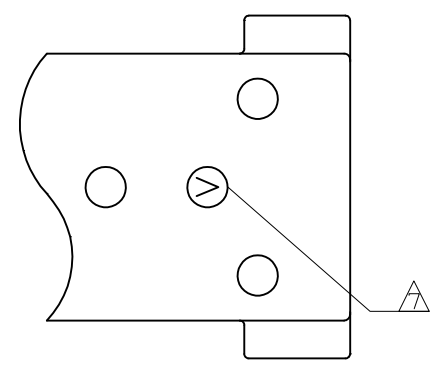


THIS DRAWING IS UNPUBLISHED. RELEASED FOR PUBLICATION MAY, 21 .
 © COPYRIGHT 02 By - ALL RIGHTS RESERVED.

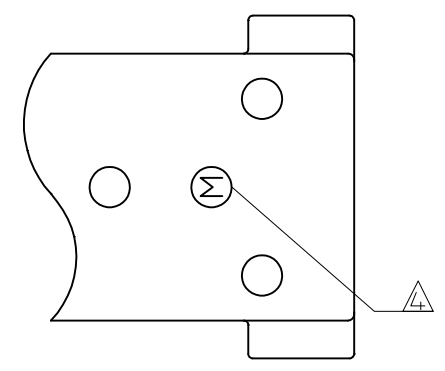
| LOC | DIST | REVISIONS | | | | | |
|-----|------|-----------|-----|------------------------------|-----------|-----|------|
| | | P | LTR | DESCRIPTION | DATE | DWN | APVD |
| J | - | P4 | | REVISED AS PER ECR-15-018360 | 17DEC2014 | MKD | RRP |



断面 "A" - "A"
SECT



矢視 "M" 1-171370-2
VIEW



矢視 "M" 1-171370-1
VIEW

注記:

- 一般公差 : ±0.2
- 適用ピン リセプタクル型番 : □-170063-□, □-353937-□, □-1123655-□
- 適用規格番号 : 108-5143 (型番171370-1, 1-171370-1)
- 裏面上I.Dマーク : 型番1-171370-1のみ M 表示 文字の向きは任意とする。
- ミュールスRタイプ: UL94V-0, CTI 600V
- フェノール ノンアンモニア: UL94V-0, CTI 175 ~ 249V以上
- 裏面上I.Dマーク : 型番1-171370-2のみ L 表示 文字の向きは任意とする。

NOTES:

- GENERAL TOLERANCE ±0.2
- APPLICABLE CONTACT PART No.: □-170063-□, □-353937-□, □-1123655-□
- PRODUCT SPEC No.: 108-5143 (FOR PART No.171370-1 AND 1-171370-1)
- I.D MARK ON REAR SIDE : INDICATION M AT PART No.1-171370-1 ONLY. DIRECTION OF CHARACTERS IS FREE.
- MEWLUS "R" TYPE : UL94V-0, CTI 600V MIN
- PHENOLIC NONAMMONIA UL94V-0, CTI 175 ~ 249V
- I.D MARK ON REAR SIDE : INDICATION L AT PART No.1-171370-2 ONLY. DIRECTION OF CHARACTERS IS FREE.

| | | |
|---------------|--------------------------------|-----------|
| △ 1-171370-2 | △ フェノール (PHENOLIC) | 黒 (BLACK) |
| △ 1-171370-1 | △ ミュールス Rタイプ (MEWLUS "R" TYPE) | 黒 (BLACK) |
| 171370-1 | フェノリック (PHENOLIC) | 黒 (BLACK) |
| 型番 (PART No.) | 材料 (MATERIAL) | 色 (COLOR) |

| | | | | |
|---|--|-------------------------|-----------------|--|
| THIS DRAWING IS A CONTROLLED DOCUMENT. | | DWN M.SUZUKI 21MAY2002 | TE Connectivity | |
| DIMENSIONS: 単位: 耗 mm | | CHK M.SHINDO 21MAY2002 | | |
| TOLERANCES UNLESS OTHERWISE SPECIFIED: 一般公差 | | APVD M.SHINDO 21MAY2002 | NAME 名称 | |
| 0 PLC ± | | PRODUCT SPEC 製品規格 | | 2.3 DIA CLUSTER BLOCK Φ2.3 クラスタブロック |
| 1 PLC ± | | APPLICATION SPEC 取付適用規格 | | |
| 2 PLC ± | | WEIGHT | | SIZE A3 |
| 3 PLC ± | | CUSTOMER DRAWING | | CAGE CODE 00779 |
| 4 PLC ± | | FINISH 仕上 | | DRAWING NO 171370 |
| ANGLES ± | | MATERIAL 材料 | | RESTRICTED TO - |
| SEE TABLE | | SCALE 尺度 4:1 | | SHEET 1 OF 3 |
| | | REV P4 | | |

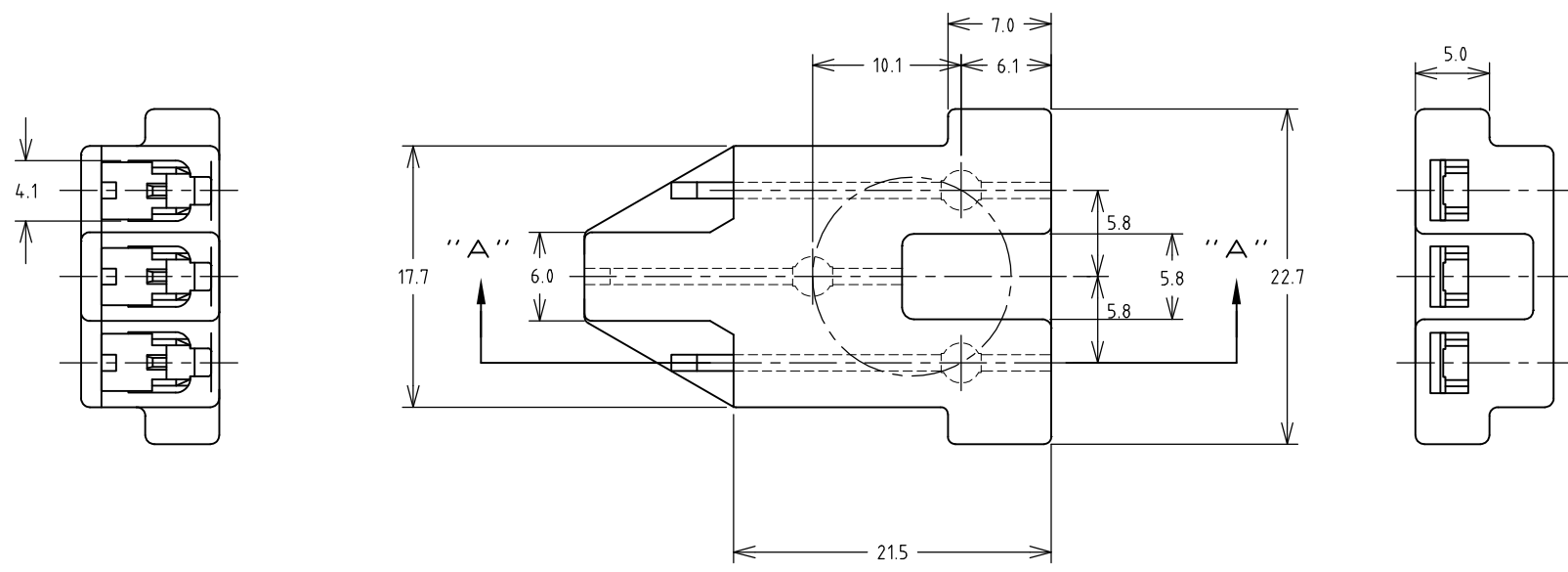
THIS DRAWING IS UNPUBLISHED.

RELEASED FOR PUBLICATION MAY, 21

ALL RIGHTS RESERVED.

© COPYRIGHT 02 By -

| LOC | DIST | REVISIONS | | | |
|-----|------|-------------|------|-----|------|
| J | | 変更 | | | |
| P | LTR | DESCRIPTION | DATE | DWN | APVD |
| | - | SEE SHEET 1 | - | - | - |



注記:

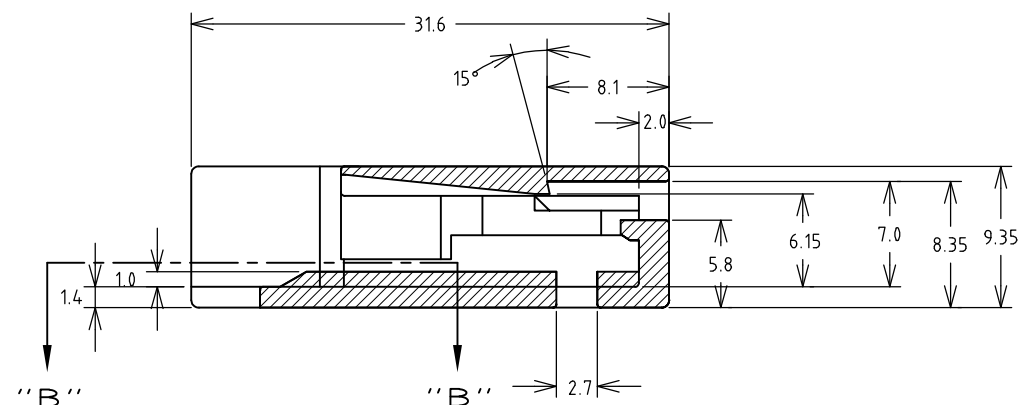
1. 一般公差 : ±0.2
2. 適用ピン リセプタクル型番 : □-170063-□, □-353937-□, □-1123655-□
3. 適用規格番号: 108-5205(型番171370-3)
108-61239(型番171370-4)
108-5541(型番171370-5)

- △4 PARTS COMPLY WITH GLOW WIRE 750 PER IEC 60335-1.
- △5 MUST BE APPLIED ON THE OUTSIDE OF COMPRESSOR.

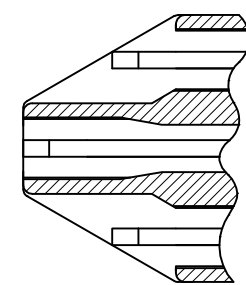
NOTES:

1. GENERAL TOLERANCE ±0.2
2. APPLICABLE CONTACT PART No.:
□-170063-□, □-353937-□, □-1123655-□
3. PRODUCT SPEC No.: 108-5205(FOR PART No.171370-3)
108-61239(FOR PART No.171370-4)
108-5541(FOR PART No.171370-5)

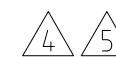
- △4 GLOW WIRE 750(IEC 60335-1), CTI 600V(HALOGEN FREE)
- △5 MUST BE APPLIED ON THE OUTSIDE OF COMPRESSOR.



断面“A”-“A” SECT



断面“B”-“B” SECT



| | | |
|------------------|--|------------------|
| 171370-5 | PBT ガラス強化 PBT GLASS FILLED(UL94V-0) | 灰色 (GRAY) |
| 171370-4 | PBT ガラス強化 PBT GLASS FILLED(UL94V-0) | 黒 (BLACK) |
| 171370-3 | PBT ガラス強化 PBT GLASS FILLED(UL94HB) | 自然色 (NATURAL) |
| 型番 (PART No.) | 材 料 (MATERIAL) | 色 (COLOR) |

| | | | | | | | |
|---|--|------------------|---|--------------|-----------|-------------------------|---------------|
| THIS DRAWING IS A CONTROLLED DOCUMENT. | | DWN | TE Connectivity 2.3 DIA CLUSTER BLOCK Φ2.3 クラスタブロック | | | | |
| DIMENSIONS: 単位: 耗 mm | | CHK | | | | NAME 名称 | |
| TOLERANCES UNLESS OTHERWISE SPECIFIED: 一般公差 | | APVD | | | | PRODUCT SPEC 製品規格 | |
| MATERIAL 材料 SEE TABLE | | FINISH 仕上 | | | | APPLICATION SPEC 取付適用規格 | |
| 0 PLC ± | | SEE NOTE 3 | | SIZE | CAGE CODE | DRAWING NO 番号 | RESTRICTED TO |
| 1 PLC ± | | CUSTOMER DRAWING | | A3 | 00779 | G-171370 | - |
| 2 PLC ± | | SCALE 尺度 4:1 | | SHEET 2 OF 3 | | REV P4 | |
| 3 PLC ± | | | | | | | |
| 4 PLC ± | | | | | | | |
| ANGLES ± | | | | | | | |

THIS DRAWING IS UNPUBLISHED.

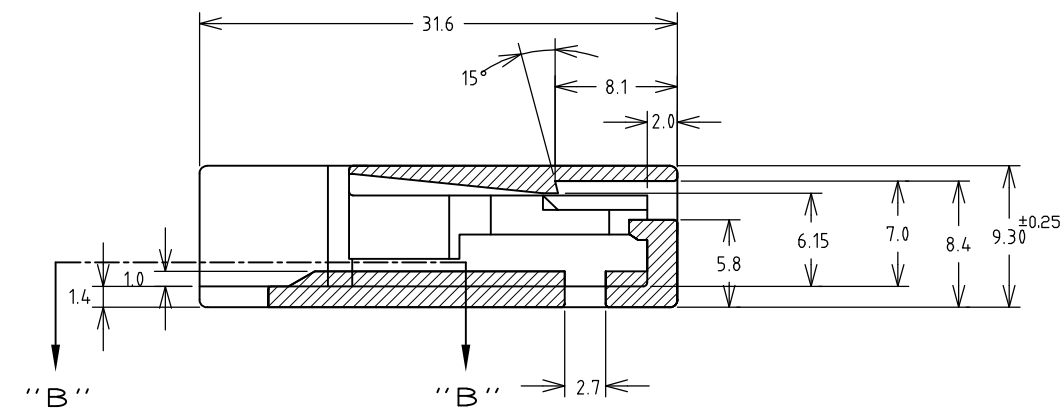
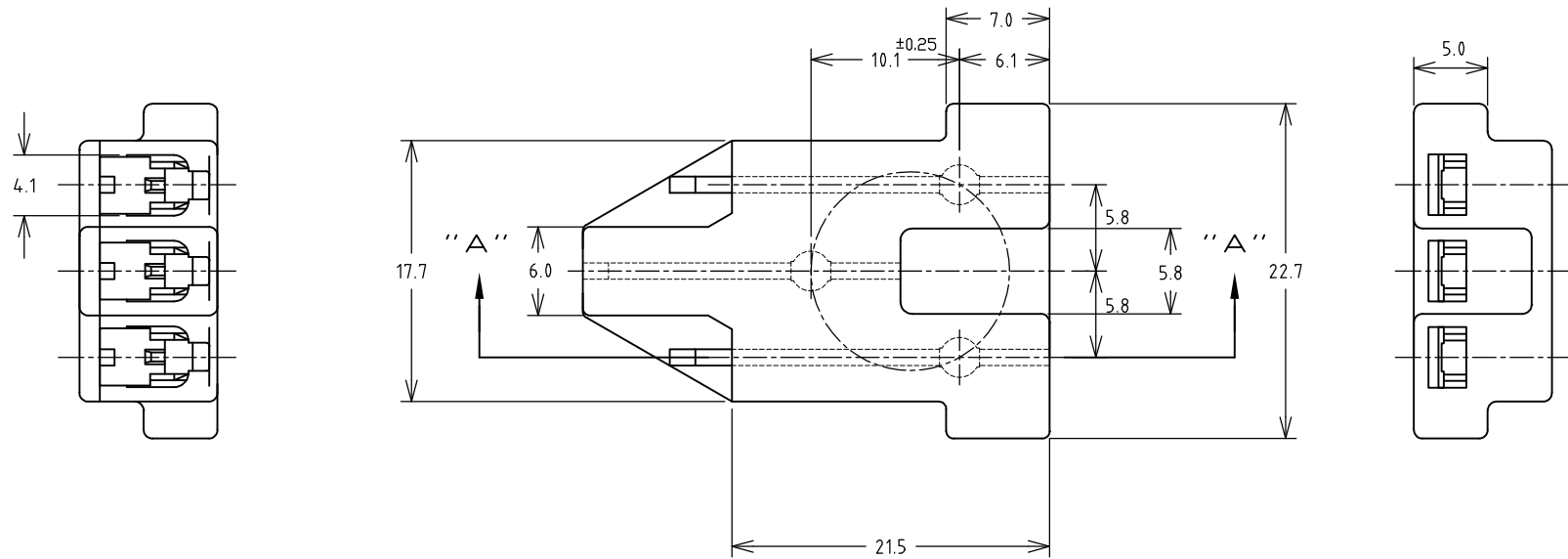
RELEASED FOR PUBLICATION

MAY, 21

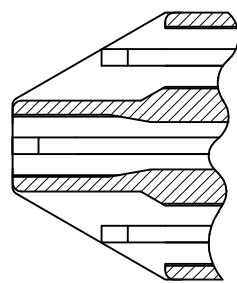
ALL RIGHTS RESERVED.

© COPYRIGHT 02 By -

| LOC | DIST | REVISIONS | | | | | |
|-----|------|-----------|-----|-------------|------|-----|------|
| | | P | LTR | DESCRIPTION | DATE | DWN | APVD |
| J | | - | | SEE SHEET 1 | - | - | - |



断面 "A" - "A" SECT



断面 "B" - "B" SECT

注記:

1. 一般公差 : ±0.2
2. 適用ピン リセプタクル型番 : □ -170063-□ , □ -353937-□ , □ -1123655-□
3. 適用規格番号: 108-140004 (型番171370-7)
4. PRELIMINARY-NOT FOR PRODUCTION
5. PARTS COMPLY WITH GLOW WIRE REQUIREMENTS DETAILED IN IEC 60335-1

NOTES:

1. GENERAL TOLERANCE ±0.2
2. APPLICABLE CONTACT PART No. : □ -170063-□ , □ -353937-□ , □ -1123655-□
3. PRODUCT SPEC No.: 108-140004 (FOR PART No.171370-7)
4. PRELIMINARY-NOT FOR PRODUCTION
5. PARTS COMPLY WITH GLOW WIRE REQUIREMENTS DETAILED IN IEC 60335-1
6. PRELIMINARY PART

| | | | |
|---|---------------|-----------------------------------|---------------|
| 6 | 171370-8 | PPS (UL94V-0) | (NATURAL) |
| 5 | 171370-6 | PA 6 GLASS FILLED | 自然色 (NATURAL) |
| | 171370-7 | 液晶ポリマー (UL94V-0) LCP (UL94V-0) | 自然色 (NATURAL) |
| | 型番 (PART No.) | 材料 (MATERIAL) | 色 (COLOR) |

| | | | | | |
|---|--|-------------------------|----------------------------|-----------------------|---------------|
| THIS DRAWING IS A CONTROLLED DOCUMENT. | | DWN | STE TE Connectivity | | |
| DIMENSIONS: 単位: 耗 mm | | CHK | | | |
| TOLERANCES UNLESS OTHERWISE SPECIFIED: 一般公差 | | APVD | NAME 名称 | | |
| 0 PLC ± | | PRODUCT SPEC 製品規格 | | 2.3 DIA CLUSTER BLOCK | |
| 1 PLC ± | | APPLICATION SPEC 取付適用規格 | | Φ2.3 クラスタブロック | |
| 2 PLC ± | | SIZE | CAGE CODE | DRAWING NO 番号 | RESTRICTED TO |
| 3 PLC ± | | A300779 | | G-171370 | - |
| 4 PLC ± | | CUSTOMER DRAWING | | SCALE 尺度 4:1 | SHEET 3 of 3 |
| ANGLES ± | | | | REV P4 | |
| FINISH 仕上 | | | | | |
| MATERIAL 材料 SEE TABLE | | | | | |