



DS25MB200-EVK
Signal Conditioning Mux-Buffer
Demo Board User Guide

Introduction

The DS25MB200 is a signal conditioning 2:1 multiplexer and 1:2 buffer designed to support port redundancy. Advanced signal conditioning features utilizing input equalization and output driver pre-emphasis enable data communication for FR4 backplane over 0.8-2.5Gb/s.

The DS25MB200 demo board is designed to assist customers to evaluate the functionality and performance. All input and output ports of the DS25MB200 are brought out to SMA connectors for accessibility to instrumentation.

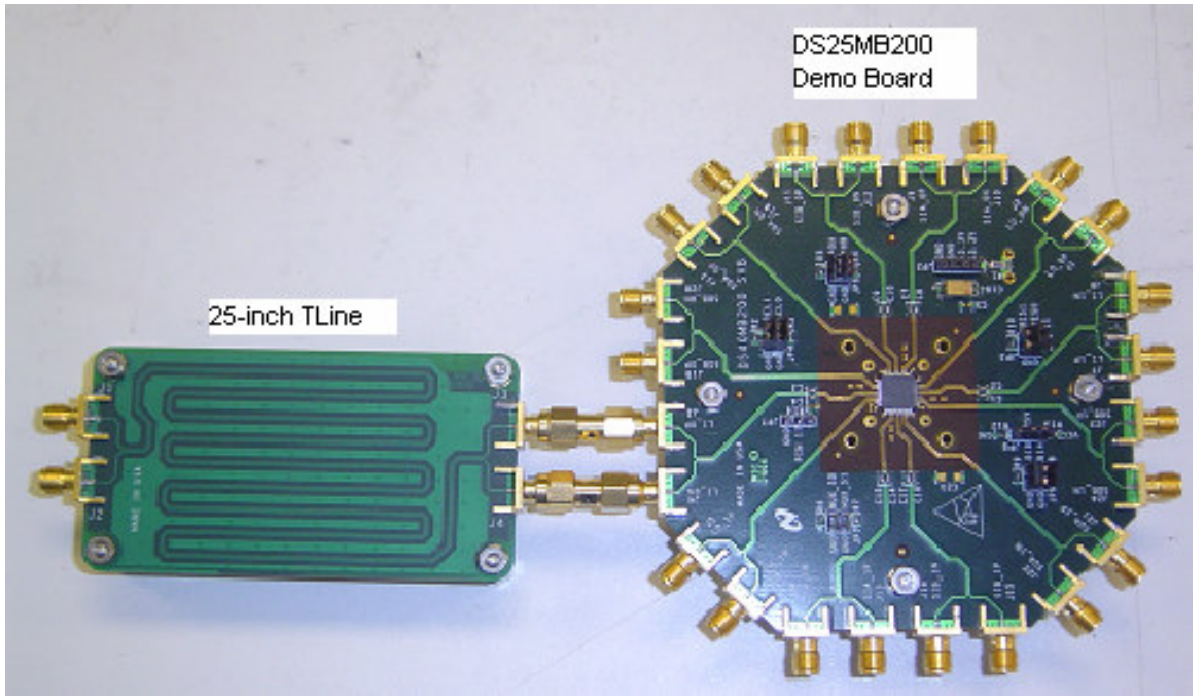
A 25-inch FR4 transmission line is provided along with the demo board to facilitate evaluation of the signal conditioning features. This 25-inch board trace has about 5dB loss from 375MHz to 1.9GHz. It is intended to use as the input transmission line to the DS25MB200, whose on-chip input equalizer is optimized to minimize the deterministic jitter caused by the input board trace. Customers can also connect the DS25MB200 to their backplanes for performance evaluation.

Evaluation Kit Content

This evaluation kit consists of the following components:

- (1) DS25MB200 demo board
- (2) A 25-inch FR4 differential board trace
- (3) Demo Board User Guide (this document)
- (4) Demo board schematic

DS25MB200 Demo Board and 25-inch TLine Board



Connection Diagram

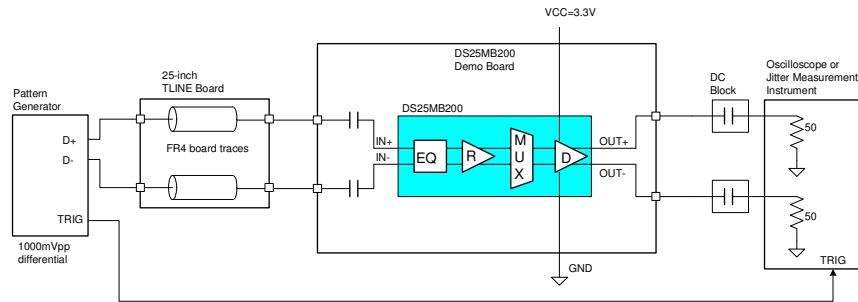


Figure 1. Typical connection for evaluation of the DS25MB200

Power		
VCC	JP2.3	3.3V \pm 5%
GND	JP2.1	0V

Pre-emphasis controls		
PREL0 PREL1	JP2.4 JP2.2	Set Pre-emphasis level for all outputs at the line side (LO_0 \pm and LO_1 \pm). Open is logic 1. Strap to GND is logic 0.
PRES0 PRES1	JP3.4 JP3.2	Set the pre-emphasis level for all outputs at the switch side (SOA_0 \pm , SOB_0 \pm , SOA_1 \pm and SOB_1 \pm). Open is logic 1. Strap to GND is logic 0.

Mux controls		
MUX_S0 MUX_S1	JP1.3 JP1.1	Set the multiplexer position to switch A or switch B. Open is logic 1. Strap to GND is logic 0.

Loopback controls		
LB0A LB0B LB1A LB1B	JP5.2 JP5.4 JP6.1 JP6.3	Enable or disable loopback. Open is logic 1. Strap to GND is logic 0.

RSV control		
RSV	JP8.2	Reserved for factory testing purposes. JP8.2 is permanently tied to GND.

Logic control for data paths

Following tables list the logic states of the control pins used to configure the data paths of the DS25MB200. More detailed information about pin functions and pin descriptions can be found in the DS25MB200 datasheet.

Logic table for multiplex controls

MUX_S0	<i>Mux Function</i>
0	MUX_0 select switch_B input, SIB_0±.
1 (default)	MUX_0 select switch_A input, SIA_0±.

MUX_S1	<i>Mux Function</i>
0	MUX_1 select switch_B input, SIB_1±.
1 (default)	MUX_1 select switch_A input, SIA_0±.

Logic table for loopback controls

LB0A	<i>Loopback Function</i>
0	Enable loopback from SIA_0± to SOA_0±.
1	Normal mode. Loopback disabled.

LB0B	<i>Loopback Function</i>
0	Enable loopback from SIB_0± to SOB_0±.
1	Normal mode. Loopback disabled.

LB1A	<i>Loopback Function</i>
0	Enable loopback from SIA_1± to SOA_1±.
1	Normal mode. Loopback disabled.

LB1B	<i>Loopback Function</i>
0	Enable loopback from SIB_1± to SOB_1±.
1	Normal mode. Loopback disabled.

Line-side pre-emphasis controls

PreL_[1:0]	<i>Pre-emphasis level in mVpp</i>	<i>De-emphasis level in mVpp</i>	<i>Pre-emphasis in dB</i>
0 0	1200	1200	0
0 1	1200	849.53	-3
1 0	1200	600	-6
1 1	1200	425.78	-9

Switch-side pre-emphasis controls

PreS_[1:0]	<i>Pre-emphasis level in mVpp</i>	<i>De-emphasis level in mVpp</i>	<i>Pre-emphasis in dB</i>
0 0	1200	1200	0
0 1	1200	849.53	-3
1 0	1200	600	-6
1 1	1200	425.78	-9

Typical output waveforms

The followings are typical eye diagrams of the DS25MB200 using the demo board connected as shown in Figure 1.

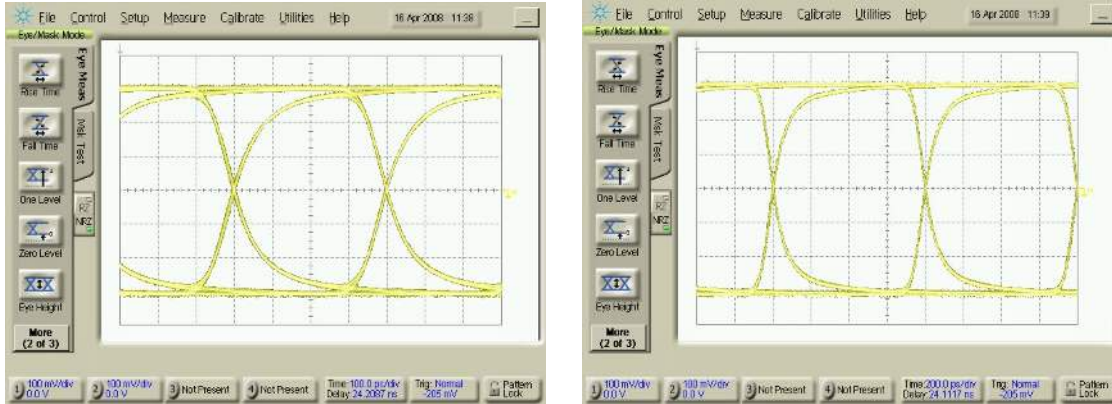


Figure 2a-b. Eye diagrams at 2.5 and 1.25 Gb/s, PRBS7 pattern, Pre-emphasis=0dB

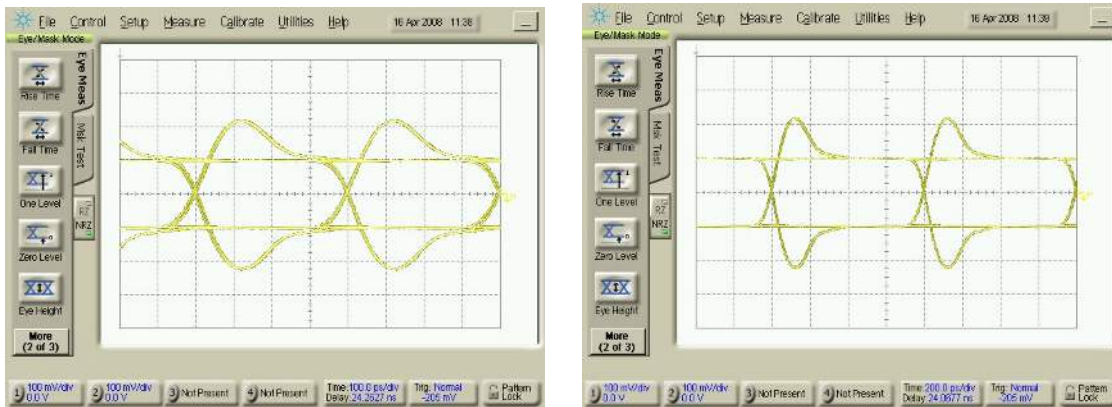


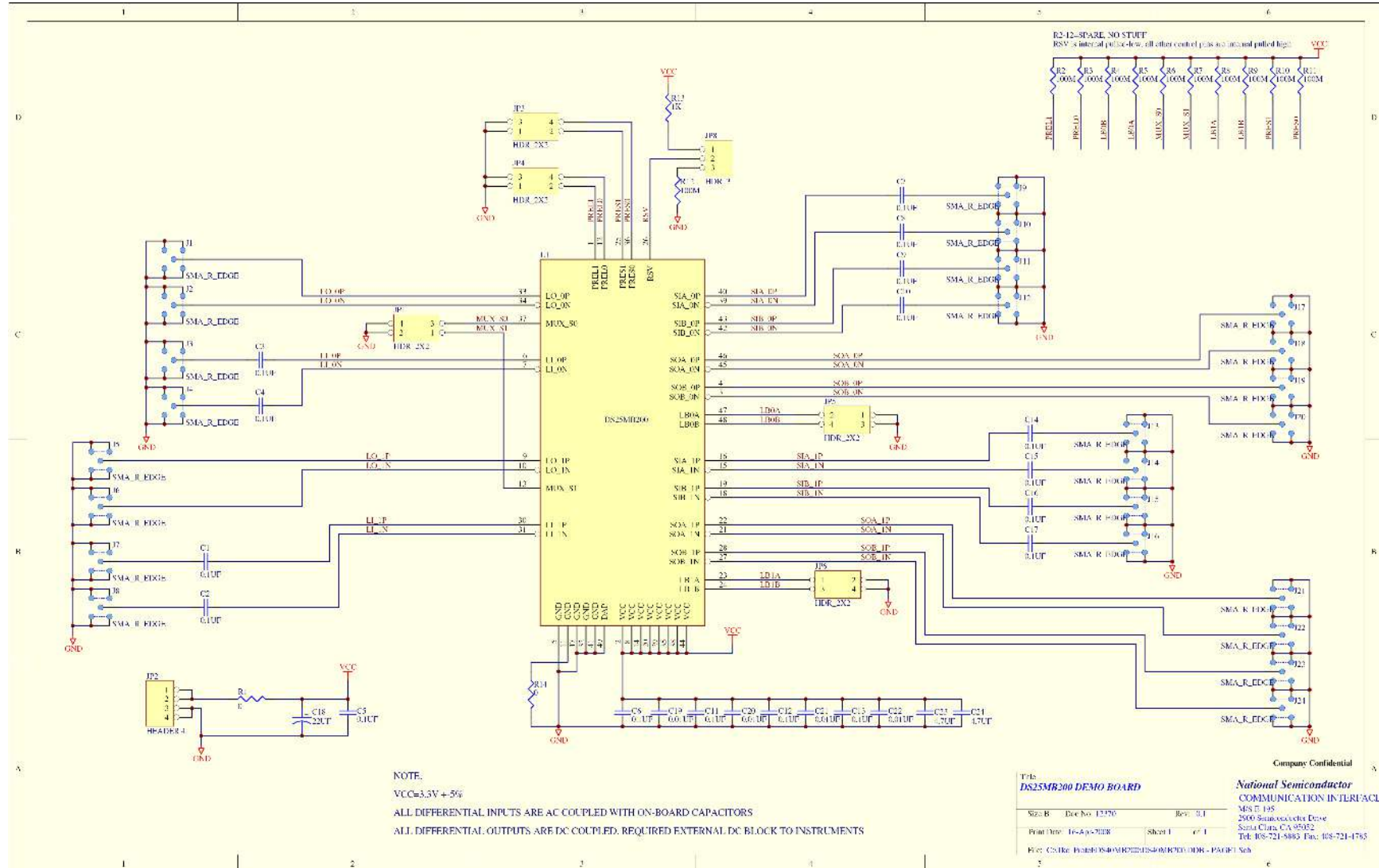
Figure 3a-b. Eye diagrams at 2.5 and 1.25 Gb/s, PRBS7 pattern, Pre-emphasis=9dB

Reference Material

DS25MB200 datasheet

National web site <http://www.national.com/appinfo/lvds/>

DS25MB200 demo board schematic



IMPORTANT NOTICE

Texas Instruments Incorporated and its subsidiaries (TI) reserve the right to make corrections, modifications, enhancements, improvements, and other changes to its products and services at any time and to discontinue any product or service without notice. Customers should obtain the latest relevant information before placing orders and should verify that such information is current and complete. All products are sold subject to TI's terms and conditions of sale supplied at the time of order acknowledgment.

TI warrants performance of its hardware products to the specifications applicable at the time of sale in accordance with TI's standard warranty. Testing and other quality control techniques are used to the extent TI deems necessary to support this warranty. Except where mandated by government requirements, testing of all parameters of each product is not necessarily performed.

TI assumes no liability for applications assistance or customer product design. Customers are responsible for their products and applications using TI components. To minimize the risks associated with customer products and applications, customers should provide adequate design and operating safeguards.

TI does not warrant or represent that any license, either express or implied, is granted under any TI patent right, copyright, mask work right, or other TI intellectual property right relating to any combination, machine, or process in which TI products or services are used. Information published by TI regarding third-party products or services does not constitute a license from TI to use such products or services or a warranty or endorsement thereof. Use of such information may require a license from a third party under the patents or other intellectual property of the third party, or a license from TI under the patents or other intellectual property of TI.

Reproduction of TI information in TI data books or data sheets is permissible only if reproduction is without alteration and is accompanied by all associated warranties, conditions, limitations, and notices. Reproduction of this information with alteration is an unfair and deceptive business practice. TI is not responsible or liable for such altered documentation. Information of third parties may be subject to additional restrictions.

Resale of TI products or services with statements different from or beyond the parameters stated by TI for that product or service voids all express and any implied warranties for the associated TI product or service and is an unfair and deceptive business practice. TI is not responsible or liable for any such statements.

TI products are not authorized for use in safety-critical applications (such as life support) where a failure of the TI product would reasonably be expected to cause severe personal injury or death, unless officers of the parties have executed an agreement specifically governing such use. Buyers represent that they have all necessary expertise in the safety and regulatory ramifications of their applications, and acknowledge and agree that they are solely responsible for all legal, regulatory and safety-related requirements concerning their products and any use of TI products in such safety-critical applications, notwithstanding any applications-related information or support that may be provided by TI. Further, Buyers must fully indemnify TI and its representatives against any damages arising out of the use of TI products in such safety-critical applications.

TI products are neither designed nor intended for use in military/aerospace applications or environments unless the TI products are specifically designated by TI as military-grade or "enhanced plastic." Only products designated by TI as military-grade meet military specifications. Buyers acknowledge and agree that any such use of TI products which TI has not designated as military-grade is solely at the Buyer's risk, and that they are solely responsible for compliance with all legal and regulatory requirements in connection with such use.

TI products are neither designed nor intended for use in automotive applications or environments unless the specific TI products are designated by TI as compliant with ISO/TS 16949 requirements. Buyers acknowledge and agree that, if they use any non-designated products in automotive applications, TI will not be responsible for any failure to meet such requirements.

Following are URLs where you can obtain information on other Texas Instruments products and application solutions:

Products

Audio	www.ti.com/audio
Amplifiers	amplifier.ti.com
Data Converters	dataconverter.ti.com
DLP® Products	www.dlp.com
DSP	dsp.ti.com
Clocks and Timers	www.ti.com/clocks
Interface	interface.ti.com
Logic	logic.ti.com
Power Mgmt	power.ti.com
Microcontrollers	microcontroller.ti.com
RFID	www.ti-rfid.com
OMAP Mobile Processors	www.ti.com/omap
Wireless Connectivity	www.ti.com/wirelessconnectivity

Applications

Automotive and Transportation	www.ti.com/automotive
Communications and Telecom	www.ti.com/communications
Computers and Peripherals	www.ti.com/computers
Consumer Electronics	www.ti.com/consumer-apps
Energy and Lighting	www.ti.com/energy
Industrial	www.ti.com/industrial
Medical	www.ti.com/medical
Security	www.ti.com/security
Space, Avionics and Defense	www.ti.com/space-avionics-defense
Video and Imaging	www.ti.com/video

TI E2E Community Home Page

e2e.ti.com

Mailing Address: Texas Instruments, Post Office Box 655303, Dallas, Texas 75265
Copyright © 2012, Texas Instruments Incorporated