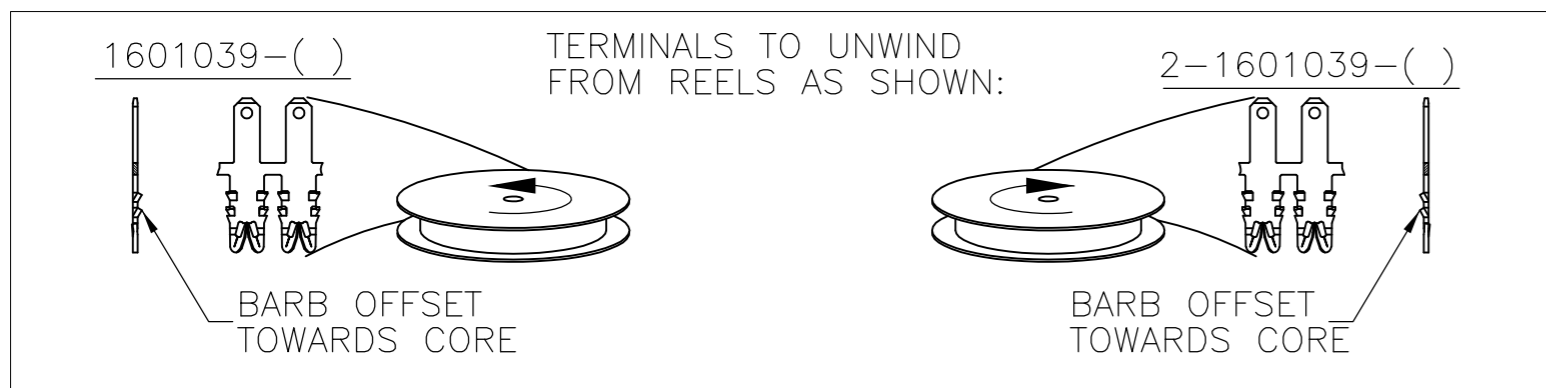
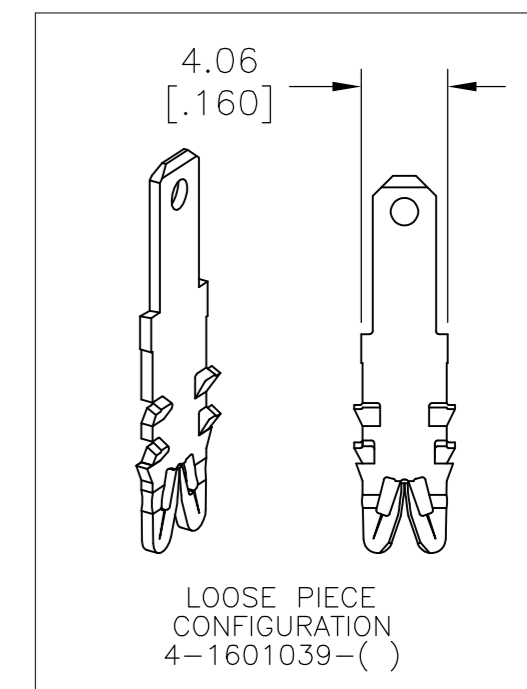
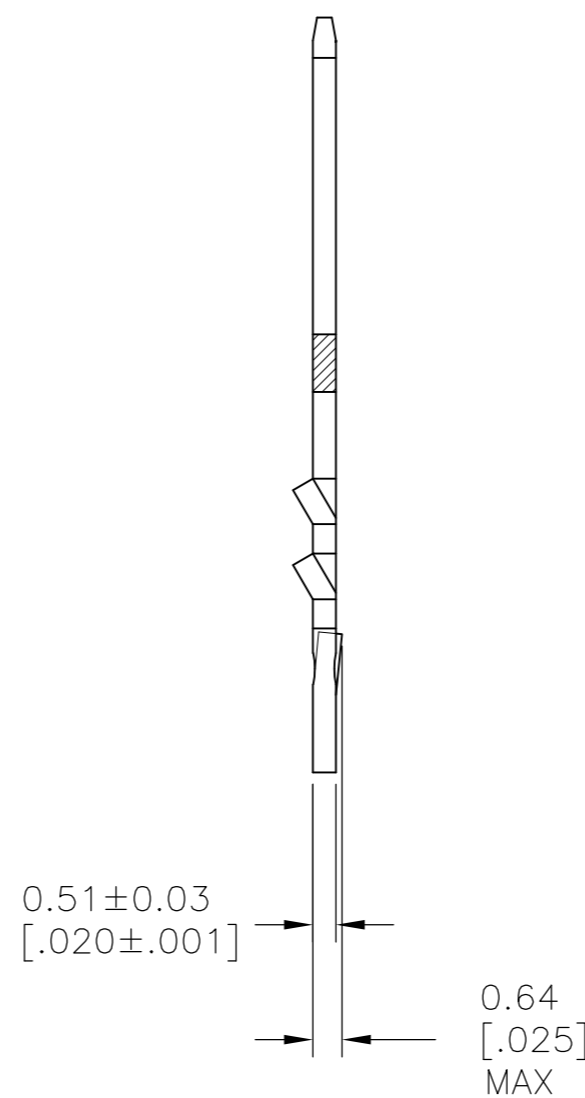
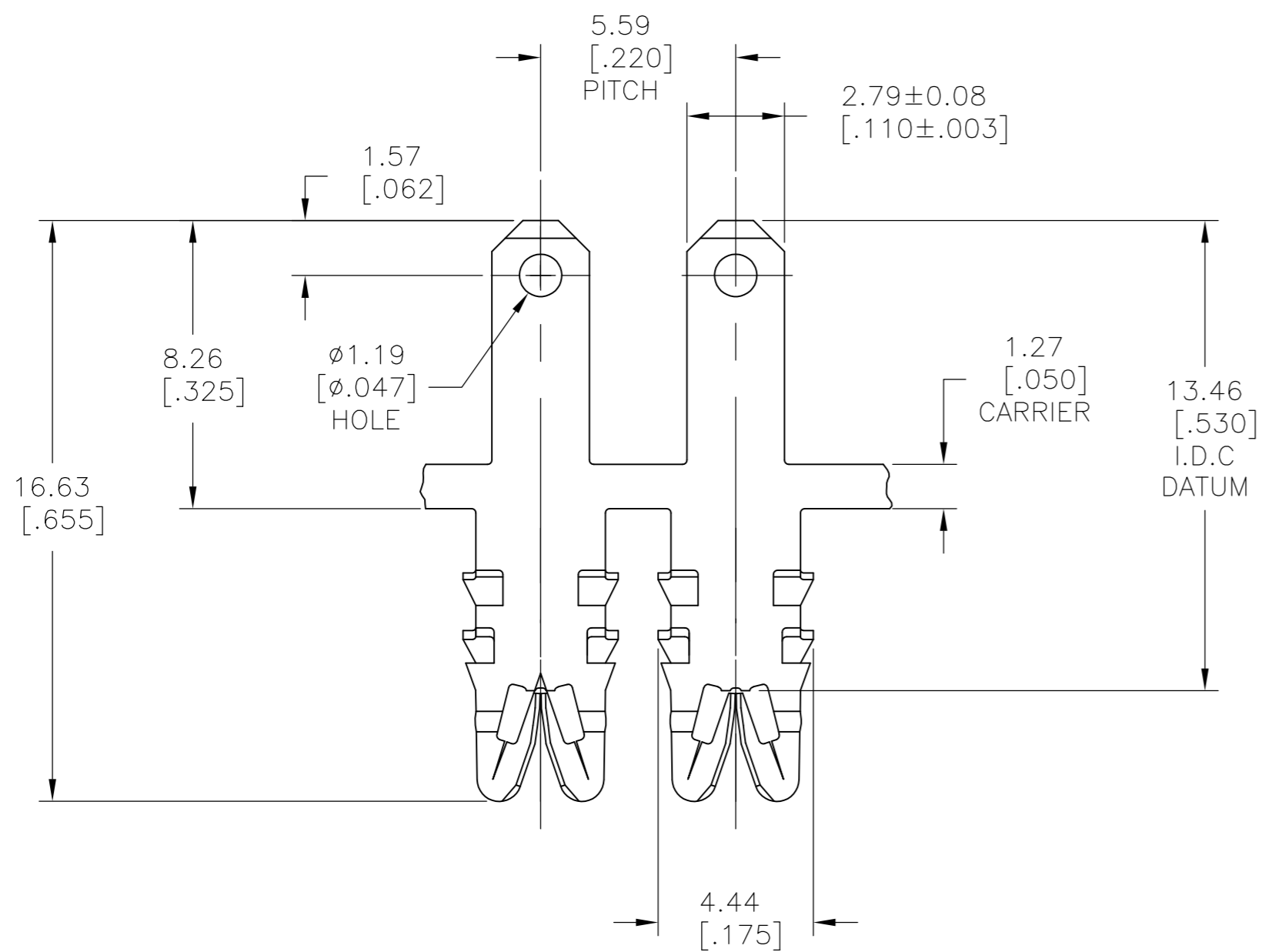


THIS DRAWING IS UNPUBLISHED. RELEASED FOR PUBLICATION  
 © COPYRIGHT BY TYCO ELECTRONICS CORPORATION. ALL INTERNATIONAL RIGHTS RESERVED.

LOC	DIST	REVISIONS			
P	LTR	DESCRIPTION	DATE	DWN	APVD
AF	50				
	C2	REVISED PER ECR-10-013696	19AUG10	HMR	GJ

- SPECIFICATIONS:  
MAGNET WIRE #18 - #34 AWG,  
1.02MM (.040)-0.16MM (.006) DIA COPPER.  
OTHER SIZES MAY BE ACCOMMODATED,  
CONSULT TYCO ELECTRONICS FOR APPROVAL.
- POCKET RECOMMENDATION : #1601425
- △ TERMINAL APPLICATION TO COMPLY WITH  
TYCO ELECTRONICS SPECIFICATION  
#114-13166 FIGURE 9.
- △ PRELIMINARY - NOT FOR PRODUCTION.
- TWO(2) TERMINALS SHOWN FOR ILLUSTRATION  
PURPOSES ONLY.



PRE TIN PLATE	031-085-002	4-1601039-2	
PRE TIN PLATE	131-086-002	2-1601039-2	
UNPLATED	131-086-000	2-1601039-1	
PRE TIN PLATE	-	△ 1601039-2	
UNPLATED	131-085-000	1601039-1	
FINISH	REFERENCE PART NUMBER	TE PART NUMBER	
THIS DRAWING IS A CONTROLLED DOCUMENT.		DWN J.WELLER 11JAN2002 CHK M.FEHER 11JAN2002 APVD K.RANDOLPH 11JAN2002	
DIMENSIONS: mm [INCHES]		Tyco Electronics Corporation Harrisburg, PA 17105-3608	
TOLERANCES UNLESS OTHERWISE SPECIFIED:		NAME	
0 PLC ± -	1 PLC ± -	STD. RANGE WIRE TO 2.79 X 0.51 MULTI-BARB TAB SIAMEZE TERMINAL	
2 PLC ± 0.13[.005]	3 PLC ± -	SIZE CAGE CODE DRAWING NO RESTRICTED TO	
4 PLC ± -	ANGLES ± 2°	A2 00779 C=1601039 -	
MATERIAL BRASS, FULL HARD	FINISH SEE TABLE	WEIGHT -	
CUSTOMER DRAWING		SCALE 6:1 SHEET 1 OF 1 REV C2	