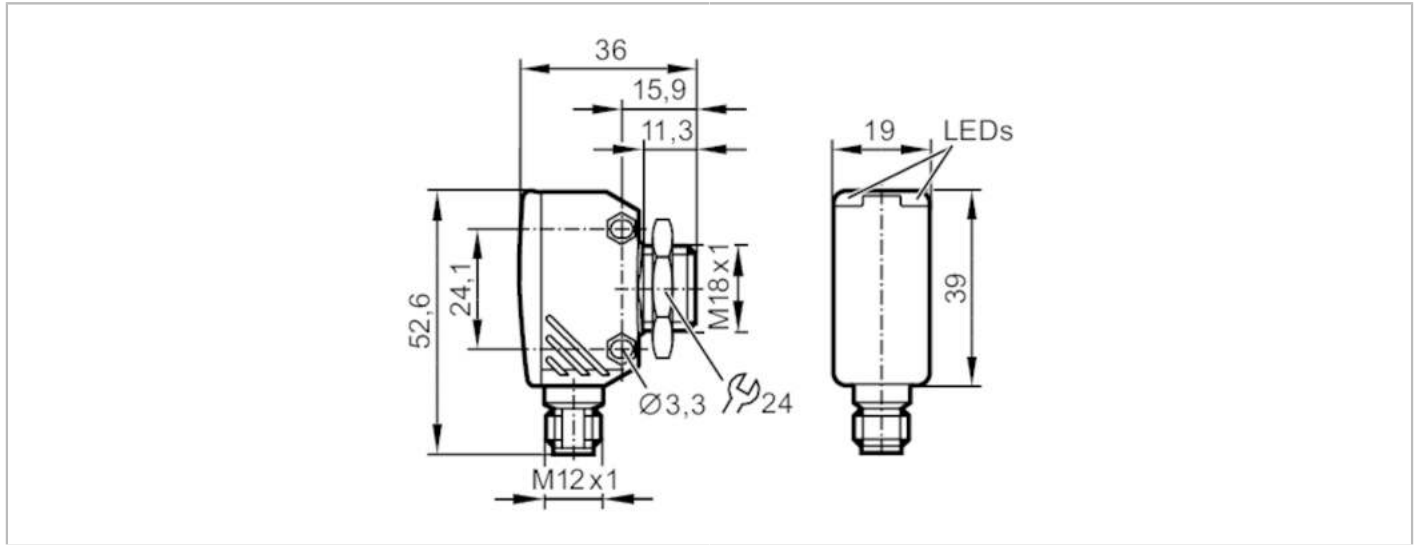


# OGP281



## Retro-reflective sensor

OGP-HPKG/US/CUBE



Product characteristics	
Type of light	red light
Housing	rectangular with M18 thread
Application	
Special feature	polarisation filter
Function principle	Retro-reflective sensor
Electrical data	
Operating voltage [V]	10...30 DC; ("supply class 2" to cULus)
Rated insulation voltage [V]	32
Current consumption [mA]	21
Protection class	III
Reverse polarity protection	yes
Max. power-on delay time [ms]	300
Type of light	red light
Wave length [nm]	662
Outputs	
Electrical design	PNP
Output function	light-on mode
Max. voltage drop switching output DC [V]	2.5
Permanent current rating of switching output DC [mA]	200
Switching frequency DC [Hz]	1000
Short-circuit protection	yes
Type of short-circuit protection	pulsed
Detection zone	
Range referred to prismatic reflector [m]	0.1...4; (Prismatic reflector Ø 80 E20005)



## Retro-reflective sensor

OGP-HPKG/US/CUBE

Max. light spot diameter [mm]	160
Light spot dimensions refer to	at maximum range
Polarisation filter available	yes

### Interfaces

Communication interface	IO-Link	
Transmission type	COM2 (38,4 kBaud)	
IO-Link revision	1.1	
SDCI standard	IEC 61131-9	
Profiles	Smart Sensor: Device Identification; Device Diagnosis; Teach Channel; Switching Channel	
SIO mode	yes	
Required master port type	A	
Min. process cycle time [ms]	2.5	
IO-Link process data (cyclical)	function	bit length
	device status	4
	binary switching information	1
IO-Link functions (acyclical)	application specific tag; operating hours counter; switching cycles counter	
Supported DeviceIDs	Type of operation	DeviceID
	Default	1145
Note	For further information please see the IO-Link PDF file under "Downloads"	

### Operating conditions

Ambient temperature [°C]	-25...60
Storage temperature [°C]	-40...60
Protection	IP 65; IP 67

### Tests / approvals

EMC	EN 60947-5-2	
MTTF [years]	905	
UL approval	Ta	-25...60 °C
	Enclosure type	Type 1
	power supply	Class 2
	File number UL	E174191

### Mechanical data

Weight [g]	59
Housing	rectangular with M18 thread
Dimensions [mm]	52.6 x 19 x 36
Thread designation	M18 x 1
Materials	diecast zinc; PEI
Lens material	PMMA
Lens alignment	side lens

### Displays / operating elements

Display	switching status	1 x LED, yellow
	operation	1 x LED, green

### Accessories

Items supplied	lock nut: 1
----------------	-------------

### Remarks

Remarks	operating voltage "supply class 2" according to cULus
---------	---

# OGP281



## Retro-reflective sensor

OGP-HPKG/US/CUBE

Pack quantity

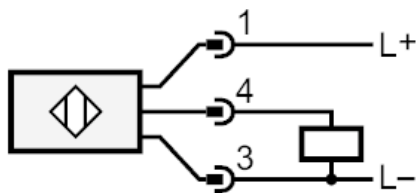
1 pcs.

### Electrical connection

Connector: 1 x M12; coding: A



### Connection





## Retro-reflective sensor

OGP-HPKG/US/CUBE

### Diagrams and graphs

excess gain graph

