



Test Procedure for the NCP59151DS00GEVB Evaluation Board

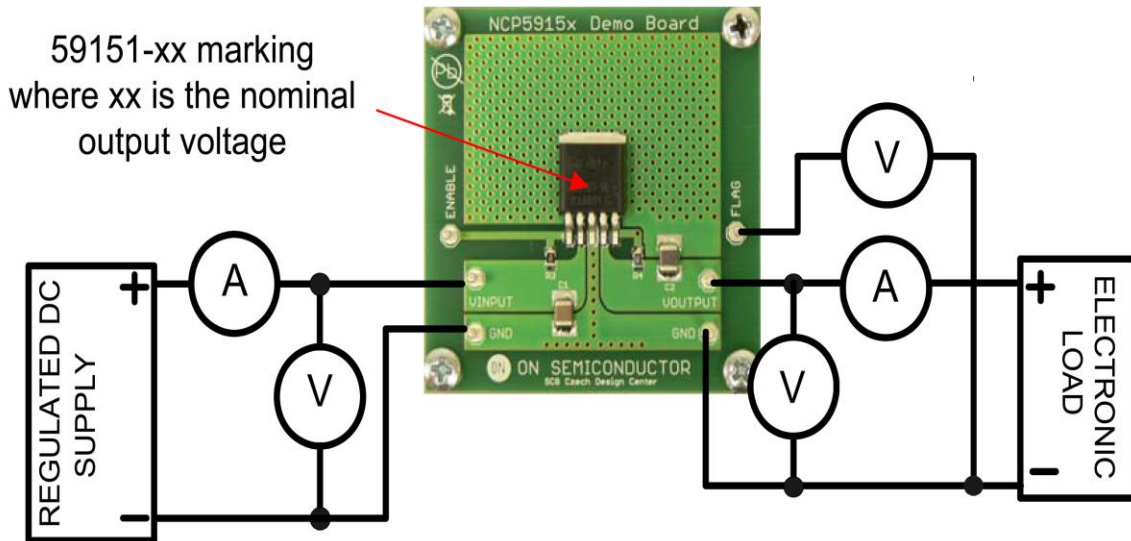


Figure 1: Test Setup

Test Procedure

1. Connect the test setup as shown in Figure 1.
2. Apply an input voltage, $V_{in} = V_{out_nom} + 1\text{ V}$
3. Apply $I_{out} = 10\text{ mA}$ load.
4. Check that V_{out} is V_{out_nom}
5. Increase I_{out} load to 1.5 A
6. Check that V_{out} is V_{out_nom}
7. Check by Multimeter referenced to GND that V_{flag} is roughly V_{out_nom}
8. Decrease input voltage until $V_{out} = 90\%$ of V_{out_nom}
9. Check that V_{flag} is less than 0.4 V
10. Power down the load
11. Power down V_{input}
12. End of test