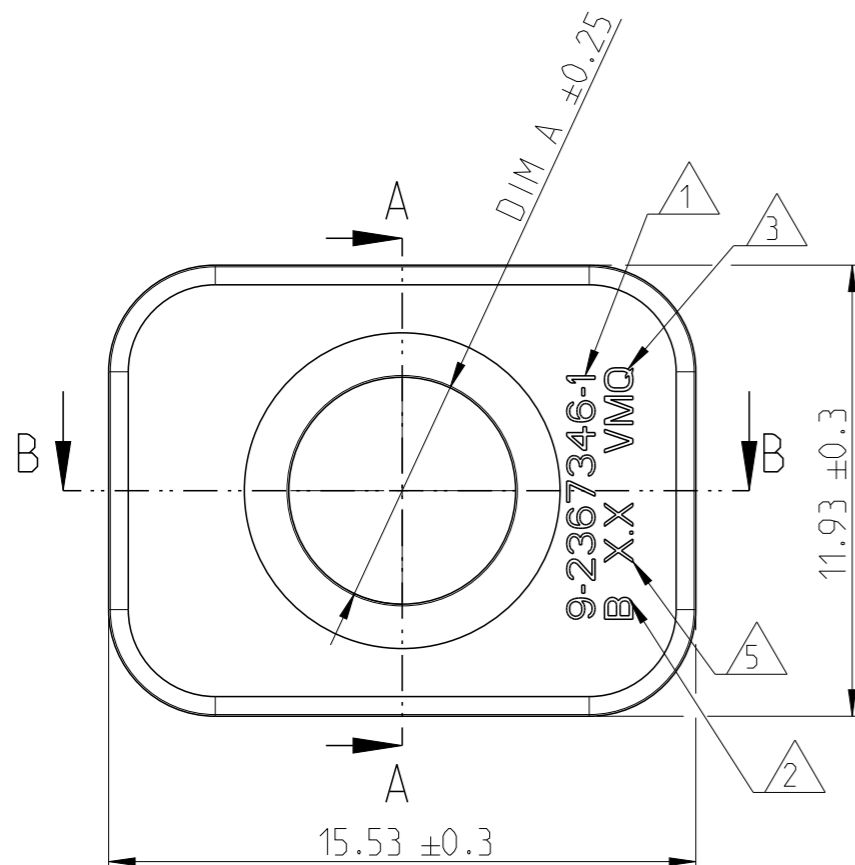
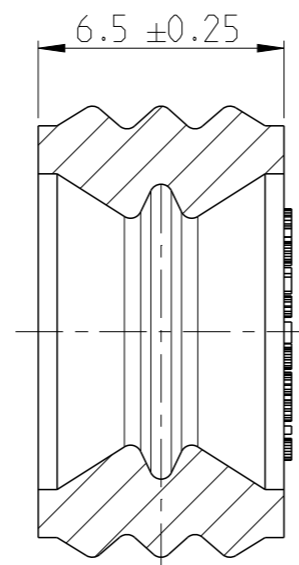


P	LTR	DESCRIPTION	DATE	DWN	APVD
B		Design updated for smaller wire	08APR2021	KS	JB
B1		SEE EC-23-201222	03MAR2023	TH	DS
B2		RELEASE PER ECR-23-171354	05APR2023	BP	DS
B3		AS PER ECN-23-221670	12JUL2023	VP	VP



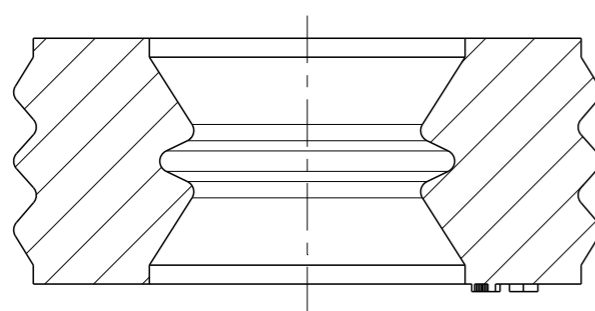
SECTION A-A



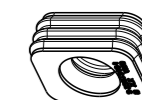
NOTES
Bemerkungen

- 1 △ TE ORDER-NO.
TE Bestell-Nr.
- B3 2 △ AREA FOR PART REVISION MARKING AS SHOWN
REVISION A WITHOUT MARKING, REV. B=ONE DOT, REV. C=TWO DOTS....
Bereich für Werkzeugänderungsmarkierung
Revision A ohne markierung, Rev. B= ein Punkt, Rev. C= zwei Punkte....
- 3 △ MATERIAL MARKING ACCORDING TO VDA 260
Werkstoffkennzeichnung nach VDA 260
- 4 PACKAGING: IN POLYBAG
Verpackung: im PE Beutel
- 5 △ MOULD CAVITY MARKING
Nestmarkierung
- 6 PN 9-2367364-1 IS SUITABLE FOR CABLE OUTSIDE DIAMETER 6.9-7.3mm
PN 9-2367364-2 IS SUITABLE FOR CABLE OUTSIDE DIAMETER 6.2-6.5mm
9-2367364-1 Dässend für Kabeldurchmesser von 6.9-7.3mm
9-2367364-2 Dässend für Kabeldurchmesser von 6.2-6.5mm

SECTION B-B



ISOMETRIC VIEW
SCALE 1:1



9-2367346-2	5.0	B3	DTHS. SINGLE WIRE SEAL. 0.35mm ² JSTP	VMQ	BLUE
9-2367346-1	6.0	B3	DTHS. SINGLE WIRE SEAL. 0.5mm ² JSTP	VMQ	ORANGE
PART NO	DIM A	REV	DESCRIPTION Beschreibung	MATERIAL material	COLOUR Farbe

THIS DRAWING IS A CONTROLLED DOCUMENT.		DWN 22FEB2021 Sukshitha HP			
DIMENSIONS: mm		CHK 23FEB2021 S. Helm			
TOLERANCES UNLESS OTHERWISE SPECIFIED:		APVD 24FEB2021 J. Barth	NAME SWS DT Highspeed Einzeladerdichtung DT Highspeed		
		PRODUCT SPEC 108-94825	SIZE A3		
MATERIAL -		APPLICATION SPEC 114-94706	CAGE CODE 00779	DRAWING NO C=2367346	RESTRICTED TO -
FINISH -		WEIGHT 1.7 g	SCALE 5:1 SHEET 1 OF 1 REV B3		
		CUSTOMER DRAWING			