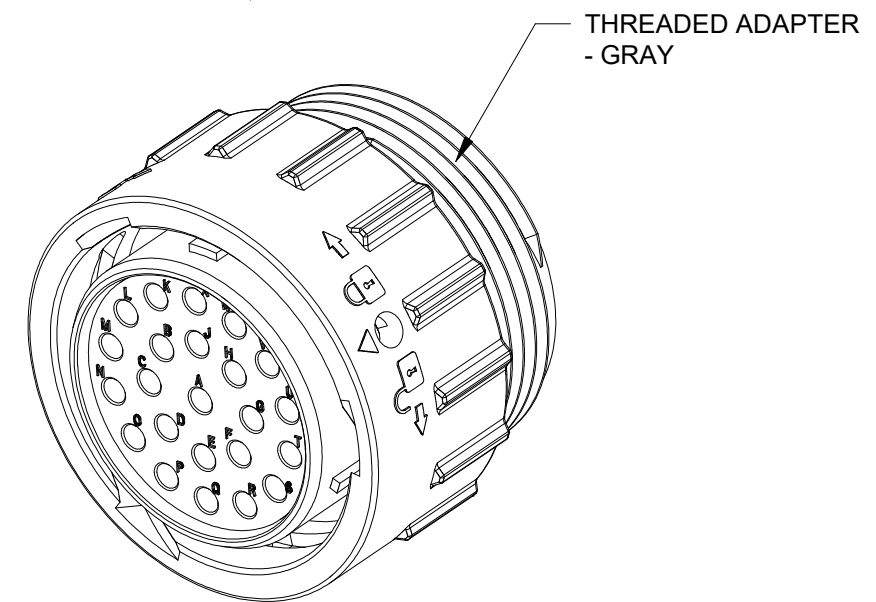
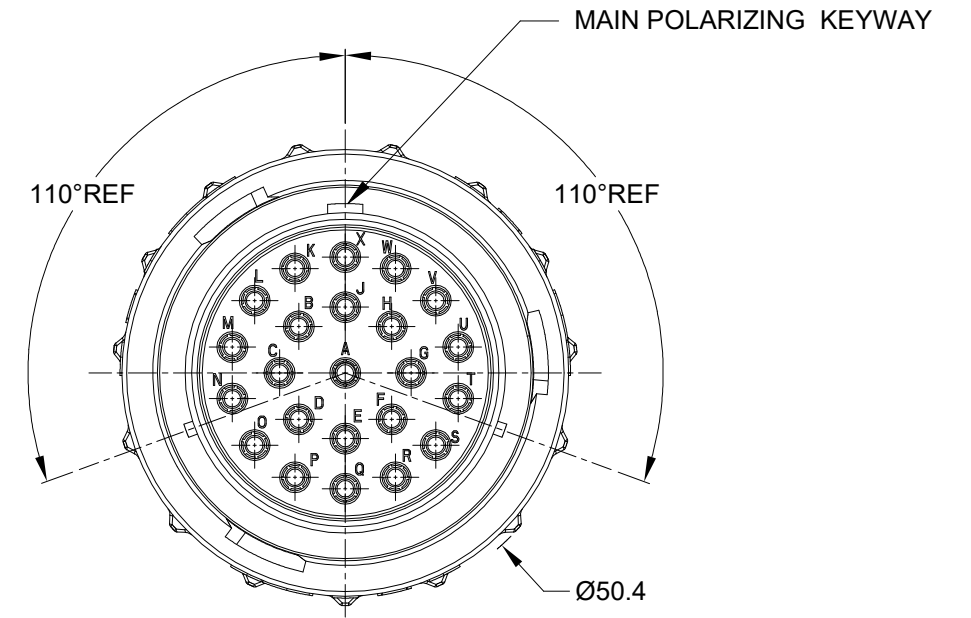
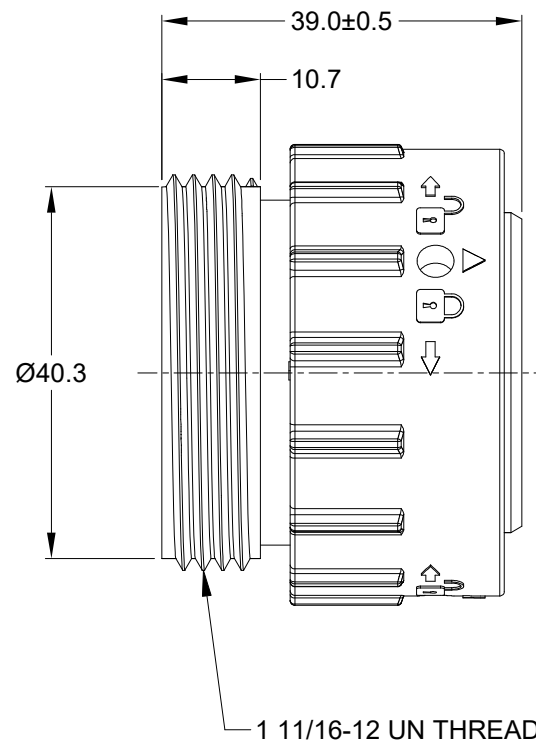
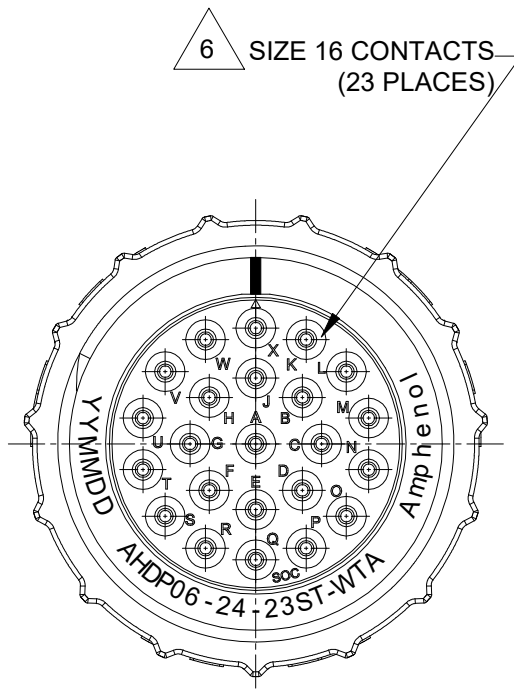


REVISIONS					
REV	ECO	DESCRIPTION	DATE	BY	APPR
A1	--	RELEASE NEW DRAWING	16/NOV/22	MILO	TOMMY



NOTES: UNLESS OTHERWISE SPECIFIED

1. MATERIAL:  
HOUSING: THERMOPLASTIC; BLACK  
SEAL: SILICONE RUBBER
2. MODIFICATIONS: WIDE THREAD ADAPTER (WTA);  
THIN WALL DIA. WIRE SEAL
3. SPECIFICATIONS:
  - 3.1 OPERATING TEMPERATURE: -55°C TO +125°C.
  - 3.2 DIELECTRIC WITHSTANDING VOLTAGE: LESS THAN 2 MILLIAMPS CURRENT LEAKAGE @ 1500 VOLTS AC.
  - 3.3 INSULATION RESISTANCE: 1000 MEGOHM MIN @ 25°C.
  - 3.4 MOISTURE RESISTANCE:  
IP68(IM OF WATER FOR A PERIOD OF 24 HOURS, MATED CONDITION);  
IP69K(MATED CONDITION)
  - 3.5 MATING CYCLE DURABILITY: 100 CYCLES
  - 3.6 RoHS COMPLIANT
4. MATING PART: AHDP02-24-23P\* & AHDP04-24-23P\* ( \* = SEAL TYPE )
5. ALL DIMENSIONS ARE FOR REFERENCE USE ONLY.

6 CONTACT SIZE AND WIRE RANGE:

CONTACT SIZE	MIN.INSUL O.D	MAX.INSUL O.D	WIRE RANGE mm <sup>2</sup>
16	2.23mm (.088in)	2.69mm (.106in)	14-20AWG (2.0-0.5mm <sup>2</sup> )

TITLE: 23POS,PLUG,SOCKET,24SZ,THIN WIRE SEAL,WTA,AHDP  
DWG NO.: AHDP06-24-23ST-WTA  
REV: A1  
SH: 1  
OF: 1

QUANTITY	PART NUMBER	DESCRIPTION	ITEM
	AHDP06-24-23ST-WTA		

MATERIALS LIST		
UNLESS OTHERWISE SPECIFIED	SIGNATURES	DATE
1) All dimensions are in metric(mm).	DRAWN: MILO.DONG	16/NOV/22
2) Tolerances are as follows: 1 PL DEC ±0.30 2 PL DEC ±0.15 3 PL DEC ±0.08	CHECKED: SULLENZHANG	17/NOV/22
3) Note reference = X	ENGINEER:	
	APPROVAL: TOMMY.XIE	18/NOV/22
MATERIAL SPECIFICATIONS: WEIGHT: 60.4g	CUSTOMER:	
PROCESS SPECIFICATIONS:	THIS DRAWING IS SUPPLIED FOR INFORMATION ONLY. DESIGN FEATURES, SPECIFICATIONS AND PERFORMANCE DATA SHOWN HEREON ARE THE PROPERTY OF THE AMPHENOL CORPORATION. NO RIGHTS OF REPRODUCTION ARE IMPLIED. ALL DIMENSIONS ARE SUBJECT TO NORMAL MANUFACTURING VARIATIONS.	
NEXT ASSY:		

<b>Amphenol</b>	
Sine Systems - www.amphenol-sine.com 44724 Morley Drive Clinton Township, MI 48036	
23POS,PLUG,SOCKET,24SZ, THIN WIRE SEAL,WTA,AHDP	
SIZE	REVISION
<b>B C-</b>	<b>A1</b>
SCALE: NONE	DURAMATE
SHEET 1	OF 1