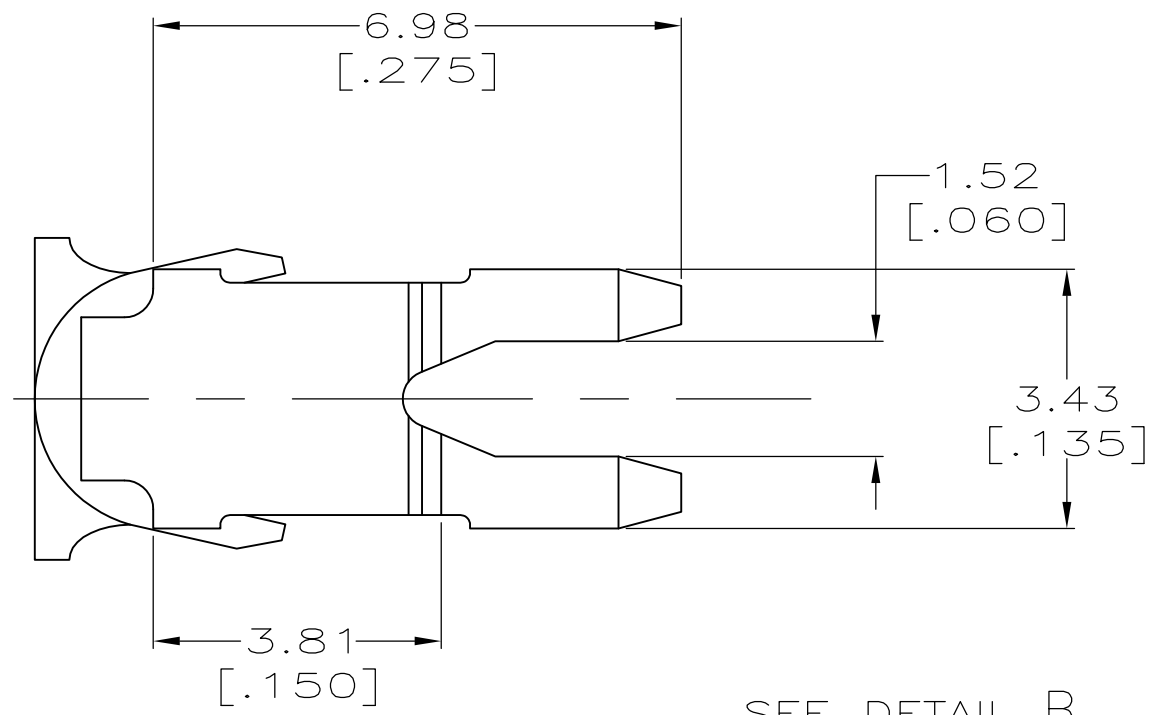


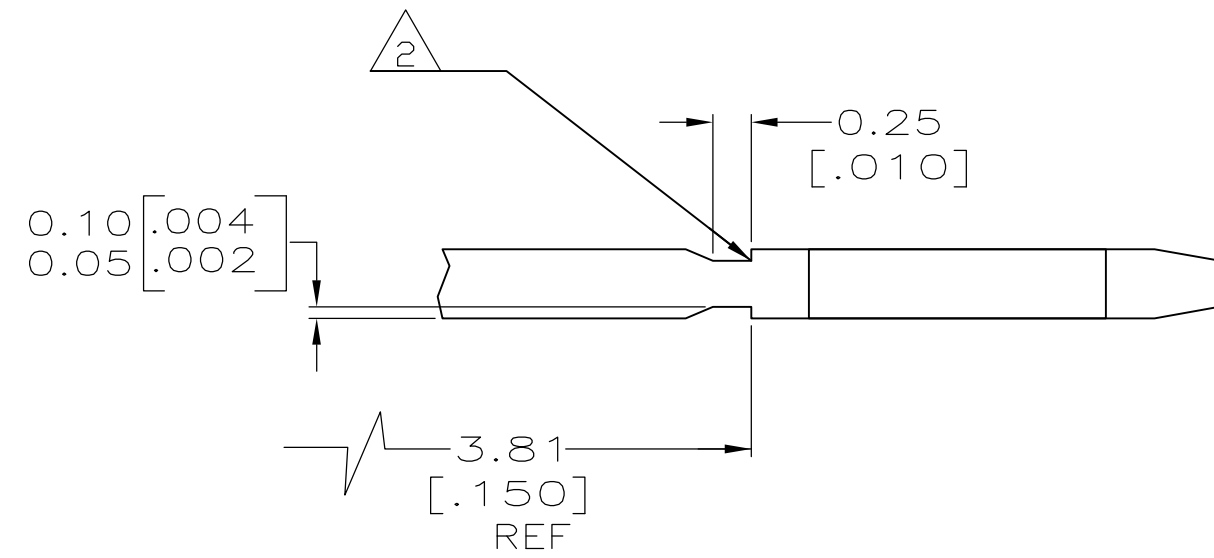
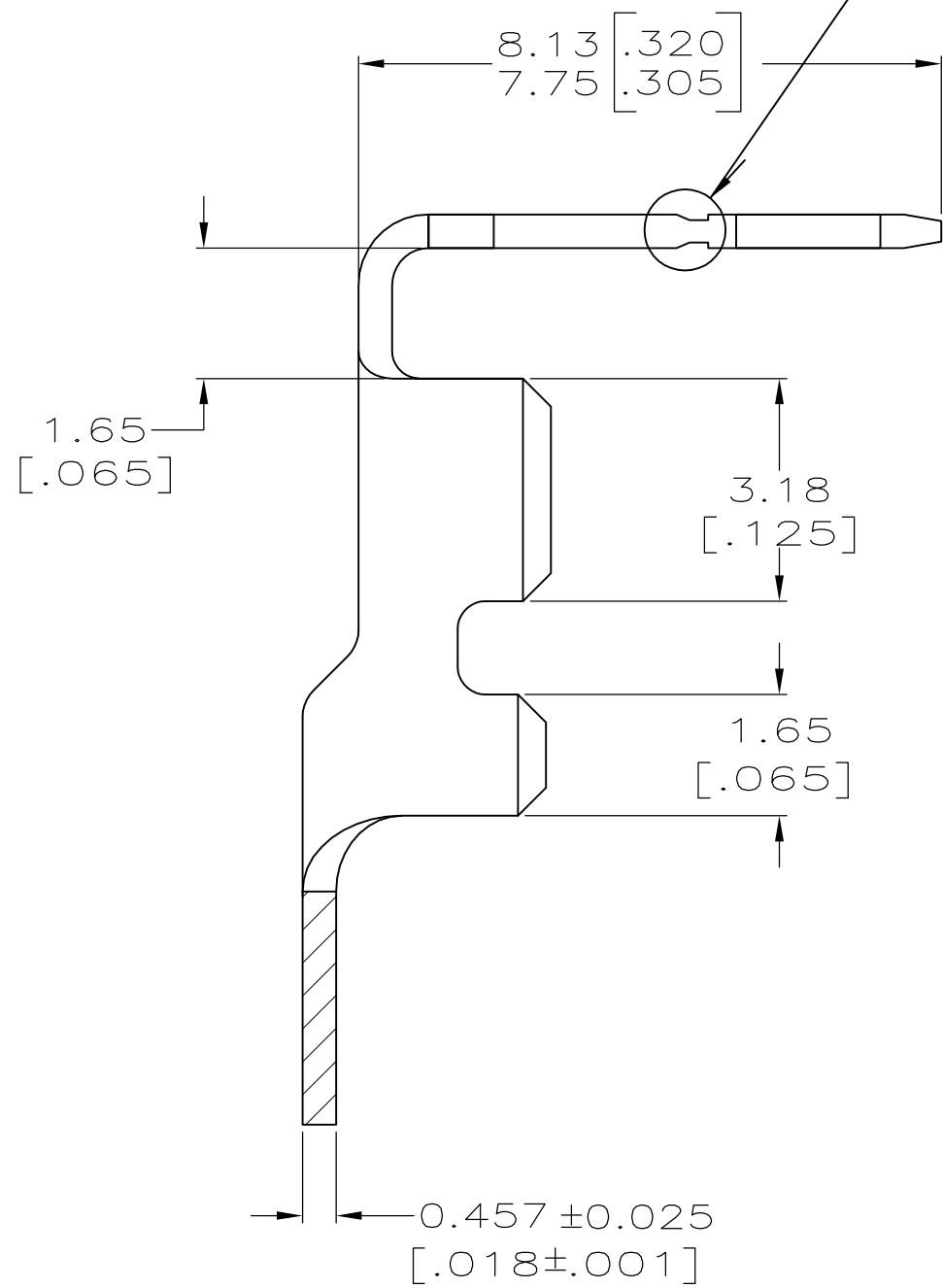
THIS DRAWING IS UNPUBLISHED. RELEASED FOR PUBLICATION
 © COPYRIGHT - By - ALL RIGHTS RESERVED.

LOC		DIST		REVISIONS			
P	LTR	DESCRIPTION		DATE	DWN	APVD	
AF	50	C1	ECR-13-016672	25OCT13	PKS	RRP	

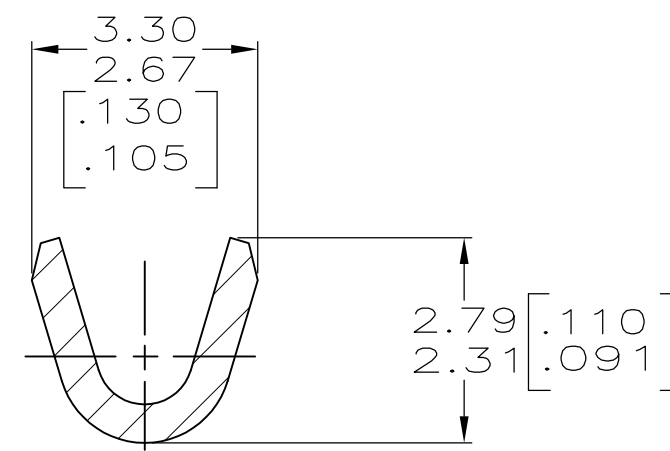
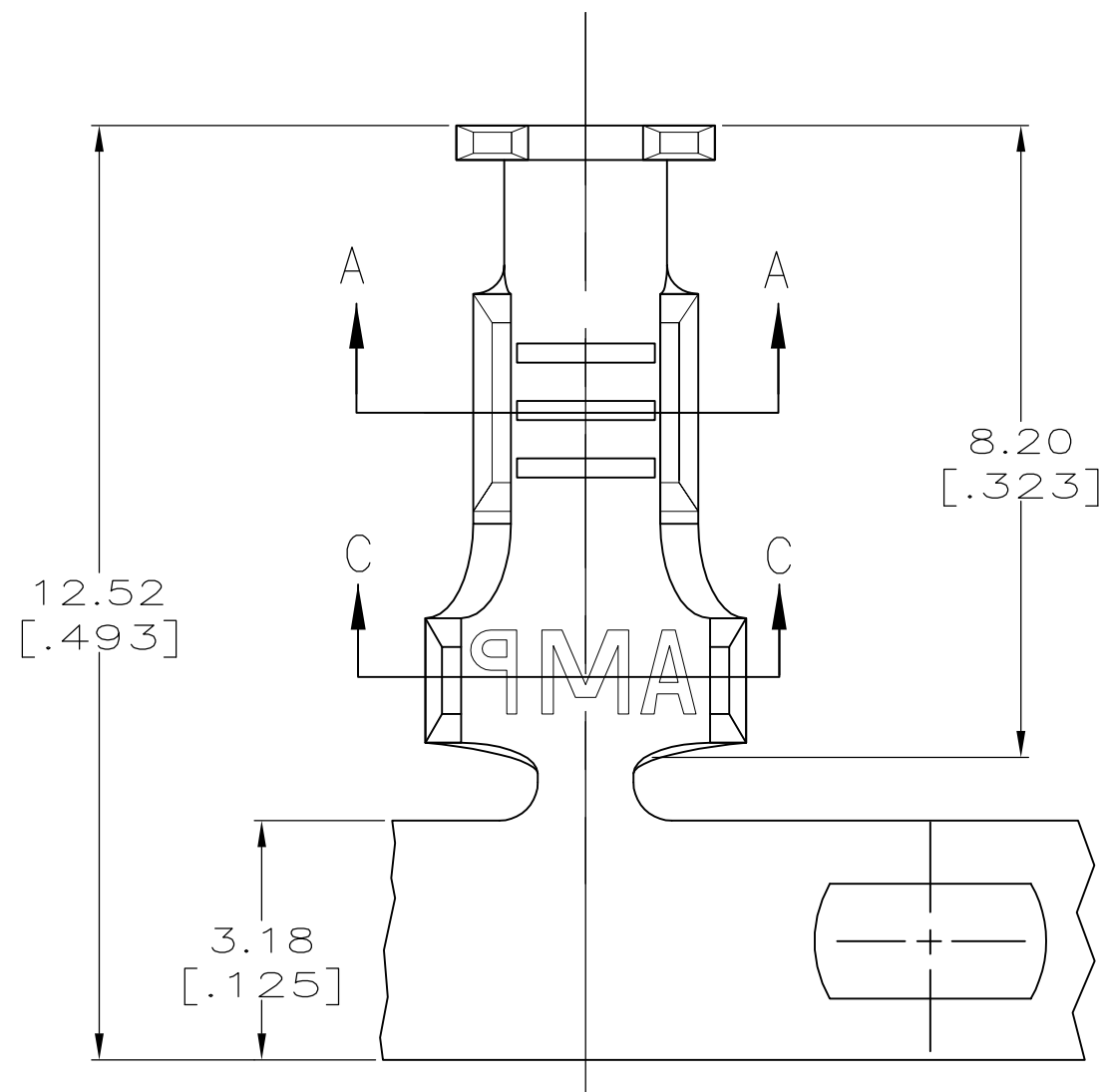
- 1 CONTINUOUS STRIP ON REELS
- 2 FOR OPTIMUM RETENTION IN POKE-IN TYPE MAG-MATE TERMINALS, THE SERRATION AS SHOWN MUST BE ENGAGED WITH THE EDGE OF THE LEAF



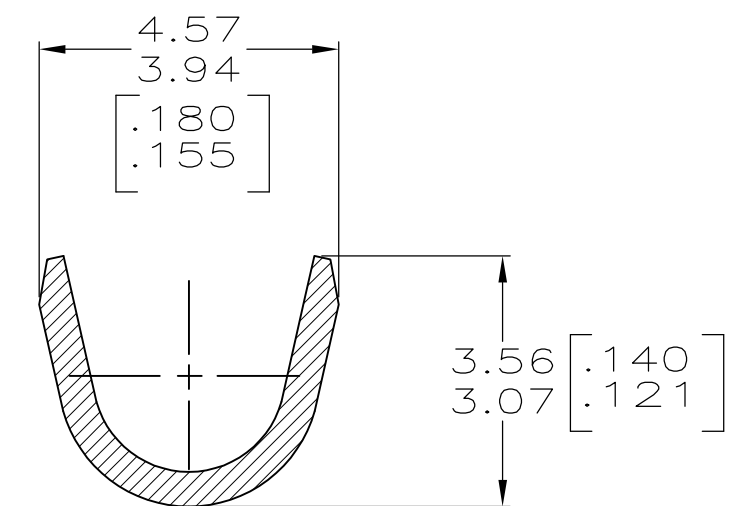
SEE DETAIL B



DETAIL B
SCALE 20:1



SECTION A-A



SECTION C-C

1.52-2.54 DIA [.060-.100]	0.3-0.8mm ² [#22-#18] AWG	1217132-1
INSULATION RANGE	WIRE RANGE	PART NUMBER

THIS DRAWING IS A CONTROLLED DOCUMENT.		DWN MICHAEL S. FEHER 16DEC1998		
DIMENSIONS: mm		CHK PHILLIP M. FORTNEY 16DEC1998		
TOLERANCES UNLESS OTHERWISE SPECIFIED:		APVD PETE DESANTIS 16DEC1998	NAME TAB, POKE-IN, MAG-MATE™	
0 PLC ± -		PRODUCT SPEC 108-22045	SIZE A2	
1 PLC ± -		APPLICATION SPEC 114-2050	CAGE CODE 00779	DRAWING NO C=1217132
2 PLC ± 0.25[.010]		WEIGHT -	RESTRICTED TO -	SCALE 10:1
3 PLC ± -		MATERIAL BRASS	SHEET 1 OF 1	REV C1
4 PLC ± -		FINISH TIN PLATE	CUSTOMER DRAWING	
ANGLES ± -				