

JC series

Finger operated compact controllers •
non-contacting Hall effect technology



DISTINCTIVE FEATURES

Compact: ideal for keyboard integration

Shallow mounting

Low profile handle

One, two or three axis

Pushbutton handle option



ENVIRONMENTAL SPECIFICATIONS

- Operating Temperature: -25 °C to +70 °C (-13 °F to +158 °F)
- Storage Temperature: -40 °C to +70 °C (-40 °F to +158 °F)



SENSOR SPECIFICATIONS

- Sensor: Hall effect
- Supply voltage range: 5.00 VDC
- Center voltage max: 2.50VDC \pm 50mV
- Supply current max: 10mA per axis
- Transient overvoltage: 16V max
- Reverse voltage protection: -10V
- Response time: 40-80uSEC
- Ratiometric output voltage: See configuration options
- Output current: 5mA per axis
- Electrical MTBF 1,000,000 operational (power on) hours



MATERIALS

- Handle: Glass filled nylon
- Body: Glass filled nylon
- Boot: Silicone
- Shaft: 3/16" nickel plated brass
- Main pivot ball: precision ground stainless steel

The company reserves the right to change specifications without notice.



JC series

Finger operated compact controllers • non-contacting Hall effect technology



MECHANICAL SPECIFICATIONS (X/Y AXIS)

- Deflection force: 0.14lbs. @ 27° @ 2 7/8" above pivot point
- Mechanical travel: ± 28° from center
- Mounting: rear panel
- Panel thickness: 0.500" to .187
- Lever action (centering): Spring"

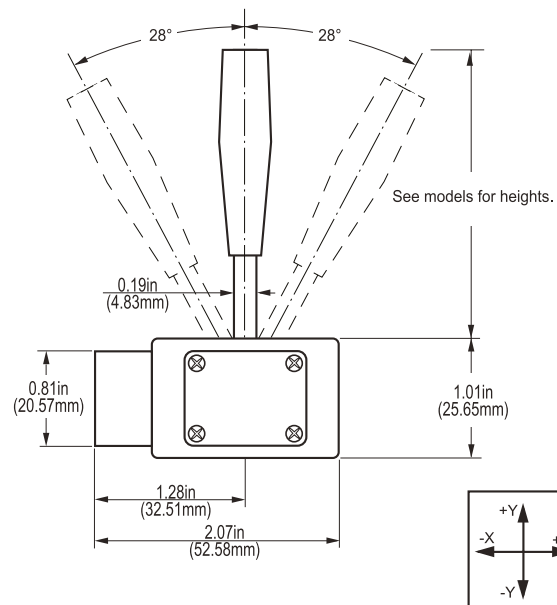
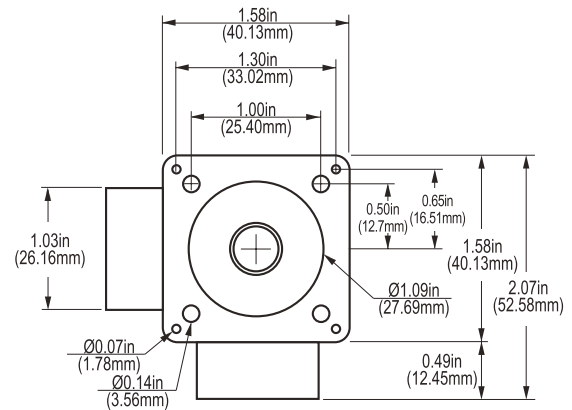


MECHANICAL SPECIFICATIONS (Z AXIS)

- Breakout torque: .80lbf. in
- Operating torque: 1.07lbf.in
- Maximum torque: 22.13lbf.in
- Mechanical rotation: ± 45°
- Handle action: Spring return to center



MOUNTING



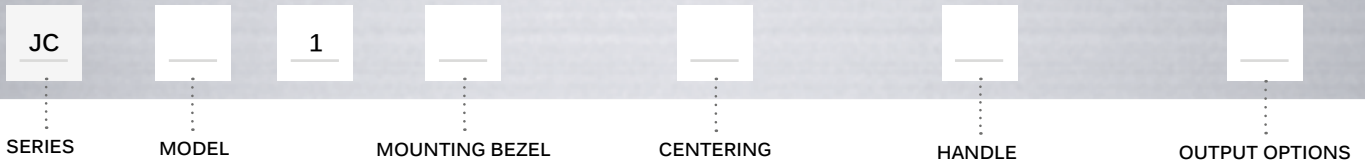
WIRING DIAGRAM

DEFAULT WIRE COLOR CODE	
COLOR	FUNCTION
Red	5VDC
Black	GND
Blue	X AXIS
Yellow	Y AXIS
Green	Z AXIS
Orange	Pushbutton 1
Violet	Pushbutton 2
White	Pushbutton common

Finger operated compact controllers • non-contacting Hall effect technology



BUILD YOUR PART NUMBER



SERIES

MODEL

MOUNTING BEZEL

CENTERING

HANDLE

OUTPUT OPTIONS

- 1** 2 axis
- 2** 2 axis with pushbutton
- 3** 3 axis
- 4** 3 axis with pushbuttons

- C** Split bezel
- L** Rubber boot
- X** No bezel
- F** Square Bezel

- 0** Spring centering

Model 1: 2 axis handles

- 0** Tapered handle
- 1** Concave handle
- 2** Flat tipped
- 3** Concave tip - long
- C** Ball tip
- 6** Straight tip - short
- A** Straight tip - mid
- B** Straight tip - long

Model 2: 2 axis handles with pushbuttons

- 5** Pushbutton
- E** Pushbutton
- G** Pushbutton
- H** Pushbutton

Model 3: Three axis

- D** 3 axis
- F** 3 axis

Model 4: Three axis with pushbuttons

- J** 3 axis and 1 pushbutton
- L** 3 axis and 2 pushbuttons

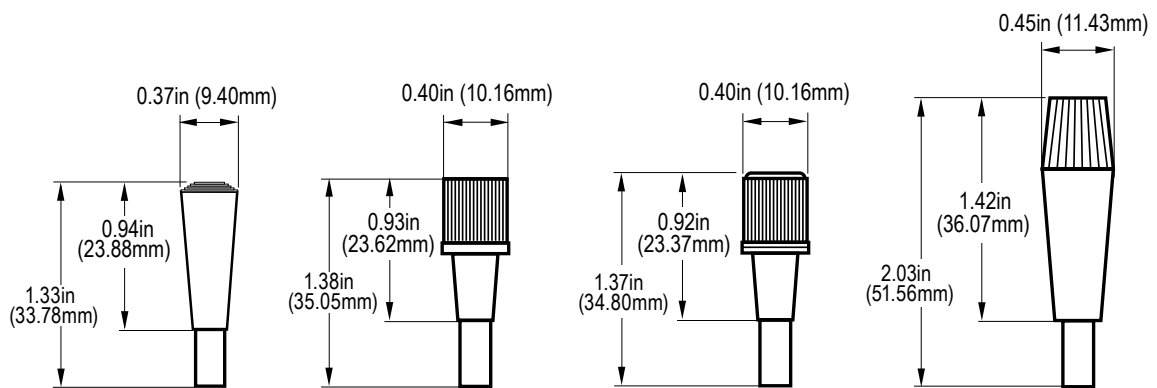
- 0** 0V to 5V
- 1** 0.5V to 4.5V
- 2** 0.25V to 4.75V
- 3** 2V to 3V
- 4** 1V to 4V

JC series

Finger operated compact controllers •
non-contacting Hall effect technology



HANDLE OPTIONS

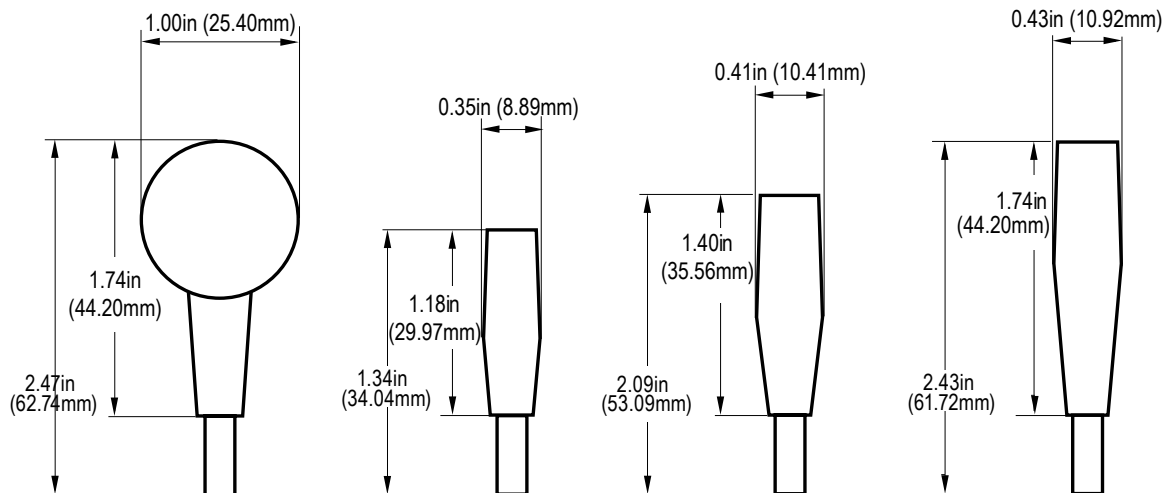


HANDLE 0

HANDLE 1

HANDLE 2

HANDLE 3



HANDLE C

HANDLE 6

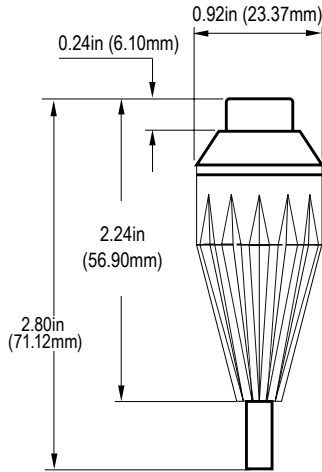
HANDLE A

HANDLE B

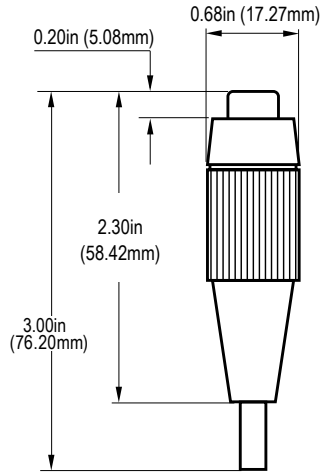
Finger operated compact controllers • non-contacting Hall effect technology



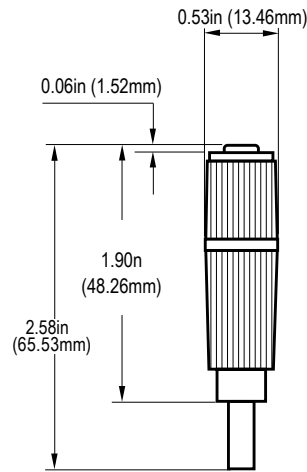
HANDLE OPTIONS (CONTINUED)



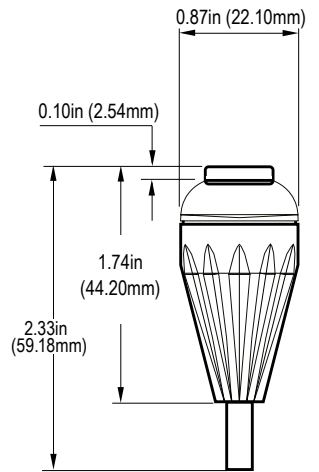
HANDLE 5



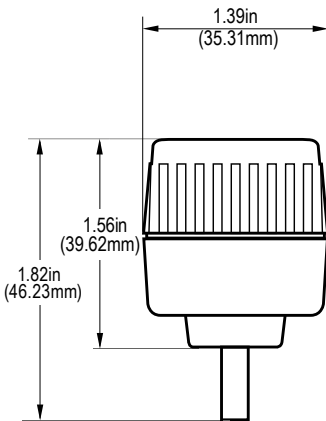
HANDLE E



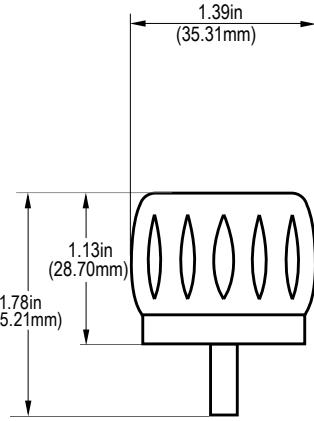
HANDLE G



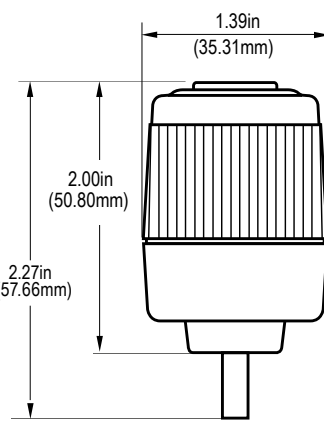
HANDLE H



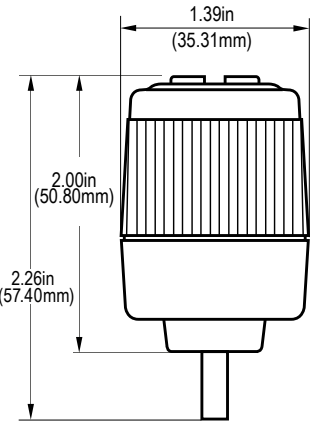
HANDLE D



HANDLE F



HANDLE J



HANDLE L

Drawing are not to scale.

The company reserves the right to change specifications without notice.