



STEVAL-SPIMD20V1

STEVAL-SPIMD20V1 demonstration kit based on the SPIMD20 integrated motor drive

Data brief

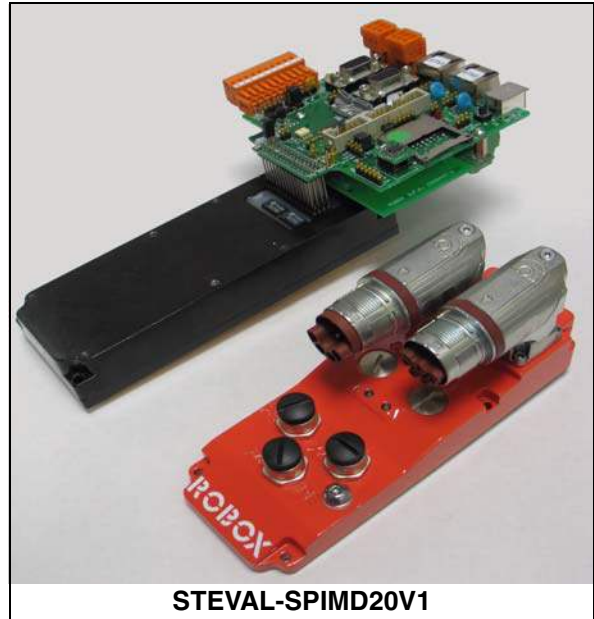
Features

- Complete with:
 - 2 kW shuttle module (SPIMD20)
 - connection board adapter
 - junction tower for mounting on motor
 - all required cables and connectors
 - software package
 - documentation
- RoHS compliant

Description

The STEVAL-SPIMD20V1 demonstration kit provides a complete demonstration platform for evaluating the functionality and the performance of the SPIMD20 power drive system designed by STMicroelectronics in cooperation with ROBOX S.p.A.

The SPIMD20 is an integrated motor drive with real-time connectivity enabling brushless motor manufacturers to create a proprietary motion control system based on a general purpose brick.



1 Connector diagrams

Figure 1. AS3036.001 junction tower layout

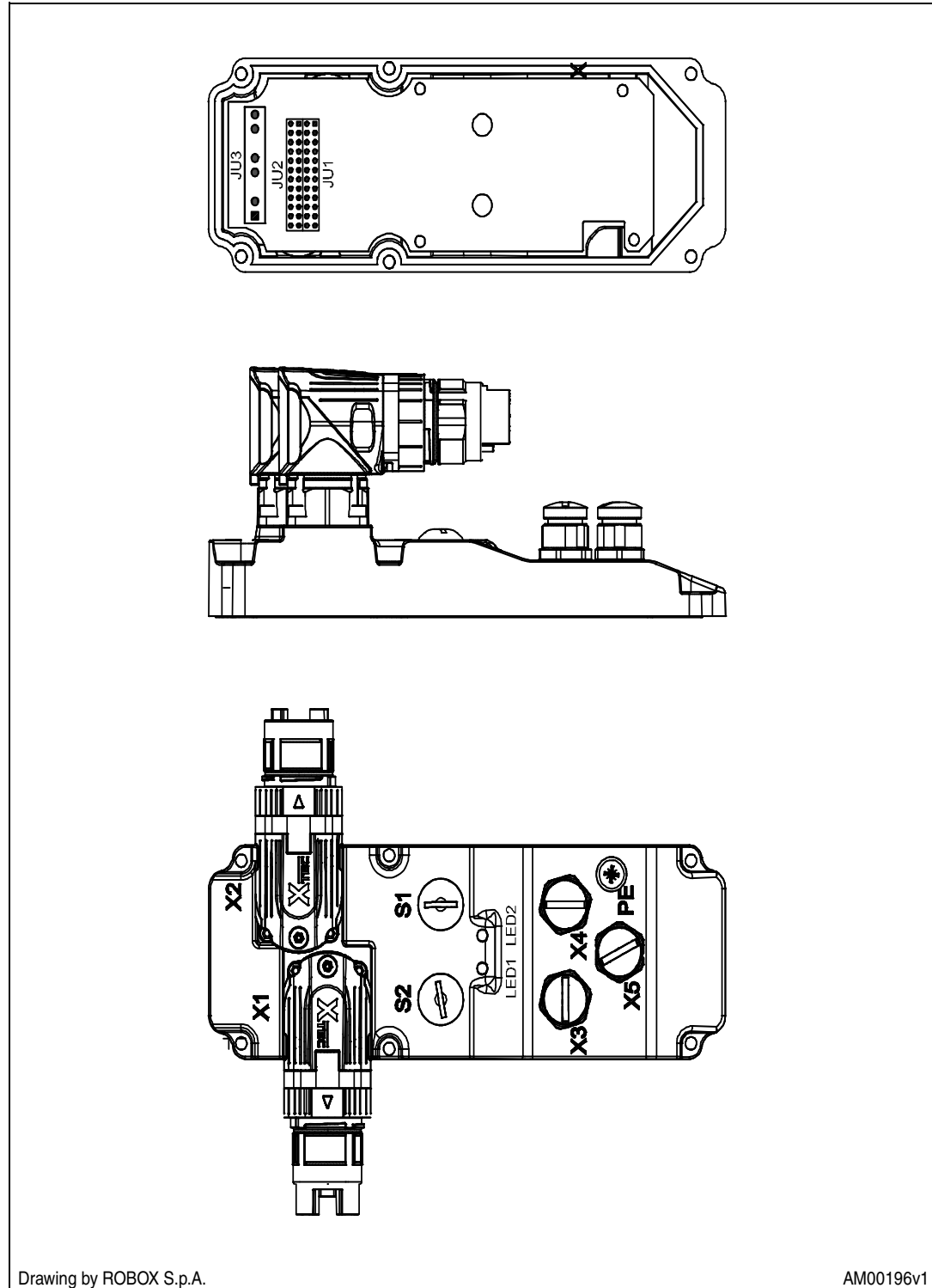


Figure 2. AS3036.001 junction tower mounting diagram

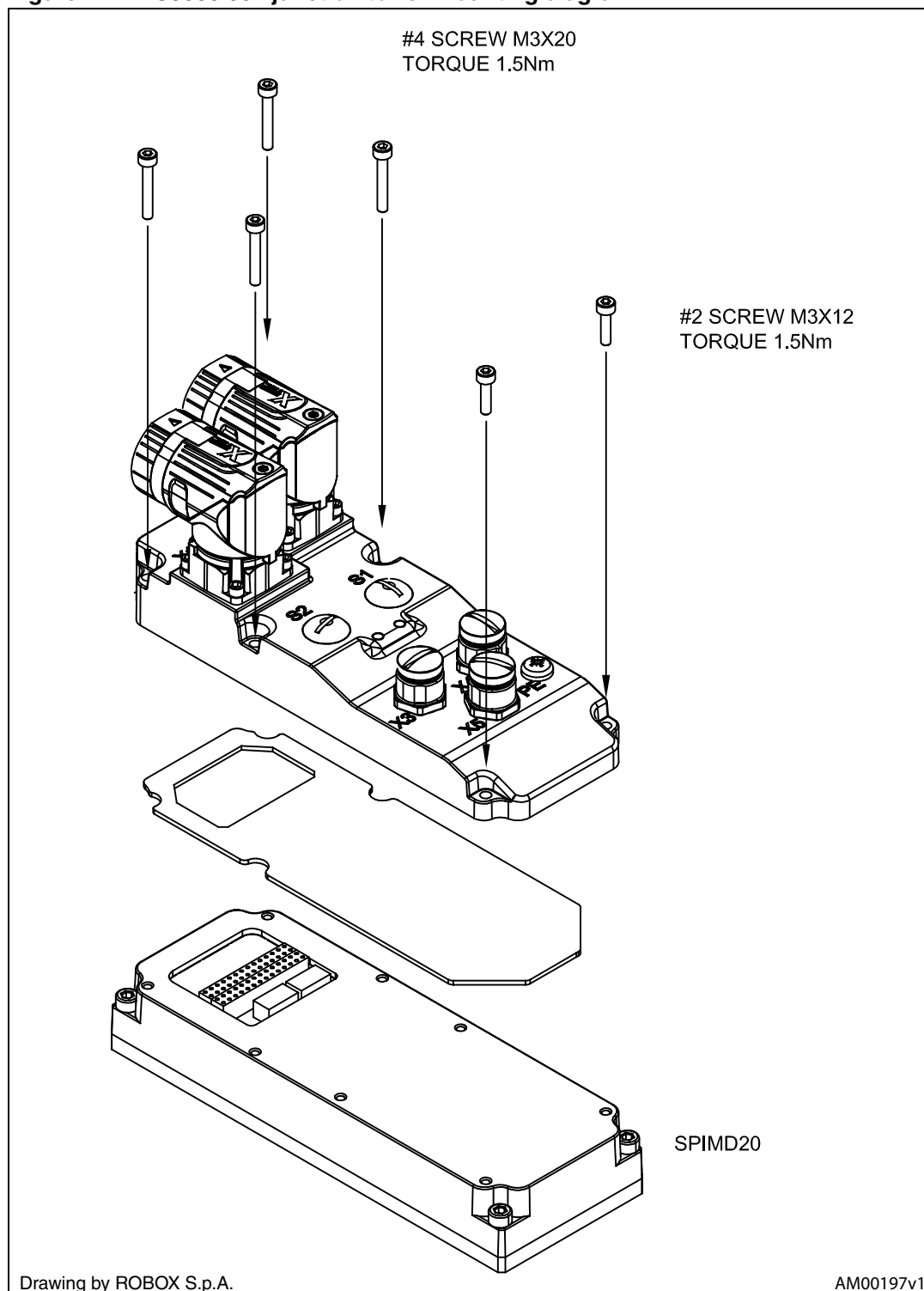
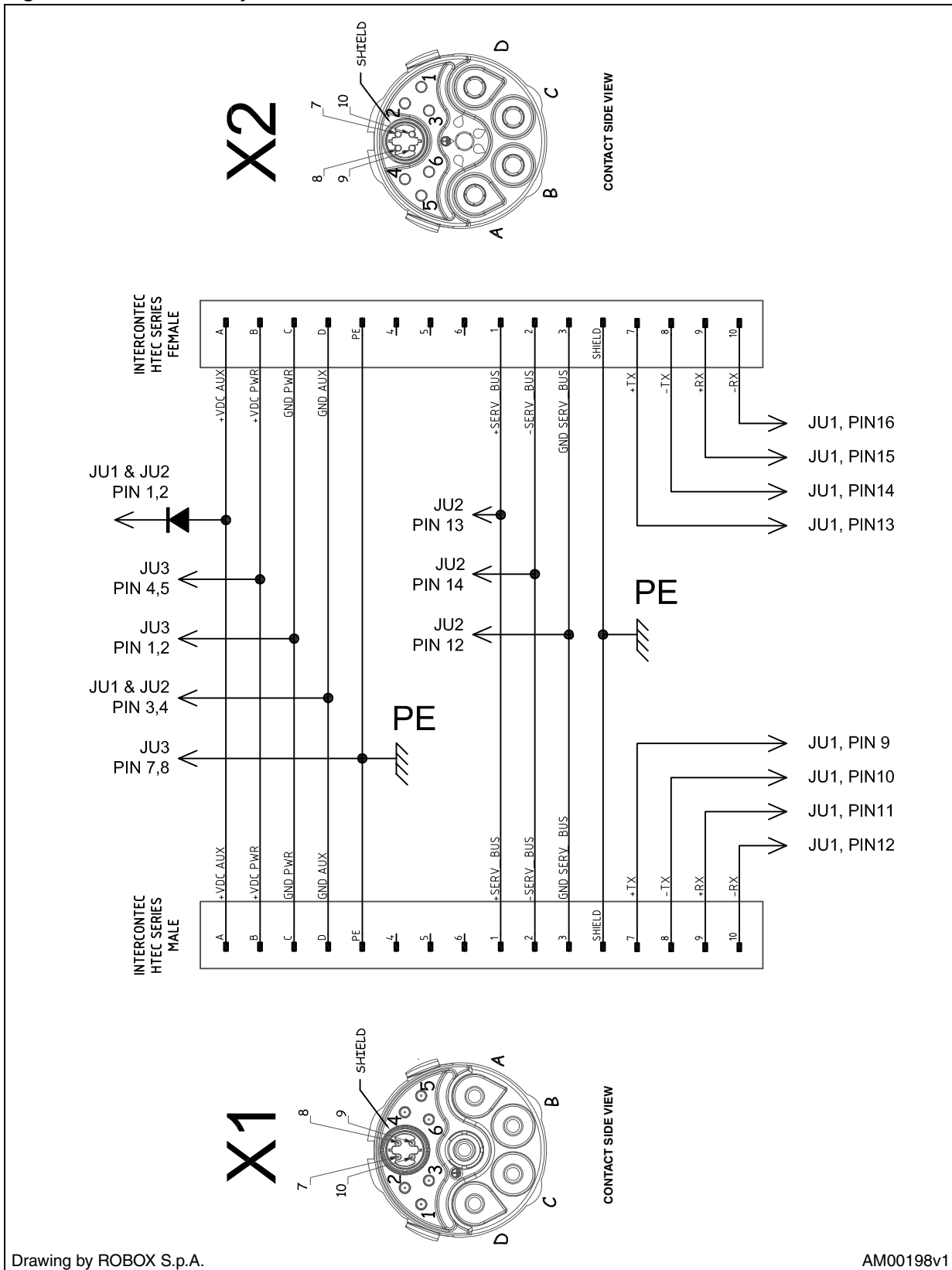


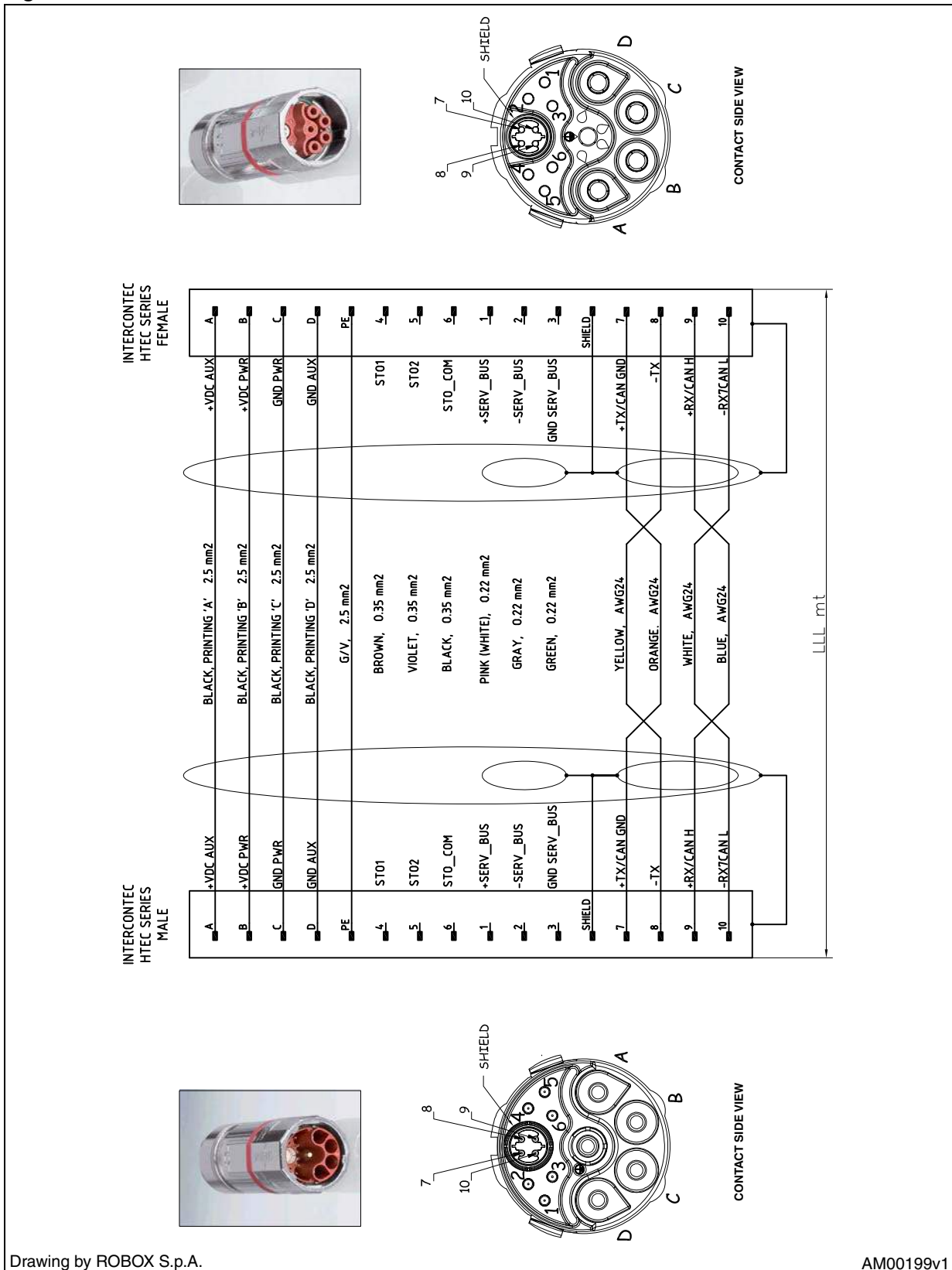
Figure 3. AS3036.001 junction tower connector



Drawing by ROBOX S.p.A.

AM00198v1

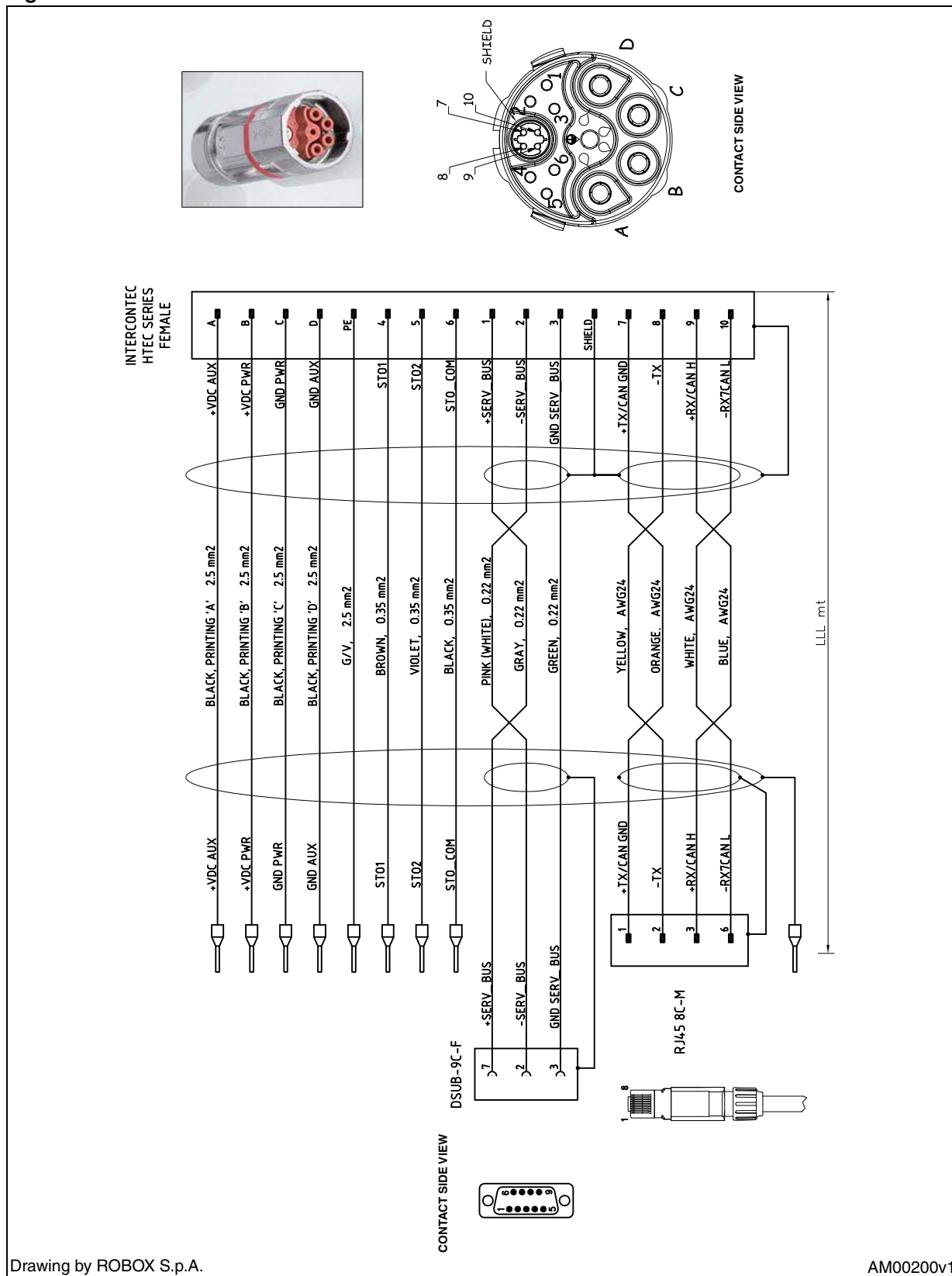
Figure 4. CAVO1SPIMD/2.5 connector



Drawing by ROBOX S.p.A.

AM00199v1

Figure 5. CAVO2SPIMD/2.5/2 connector



Drawing by ROBOX S.p.A.

AM00200v1

Figure 6. CAVO1SPIMD terminal

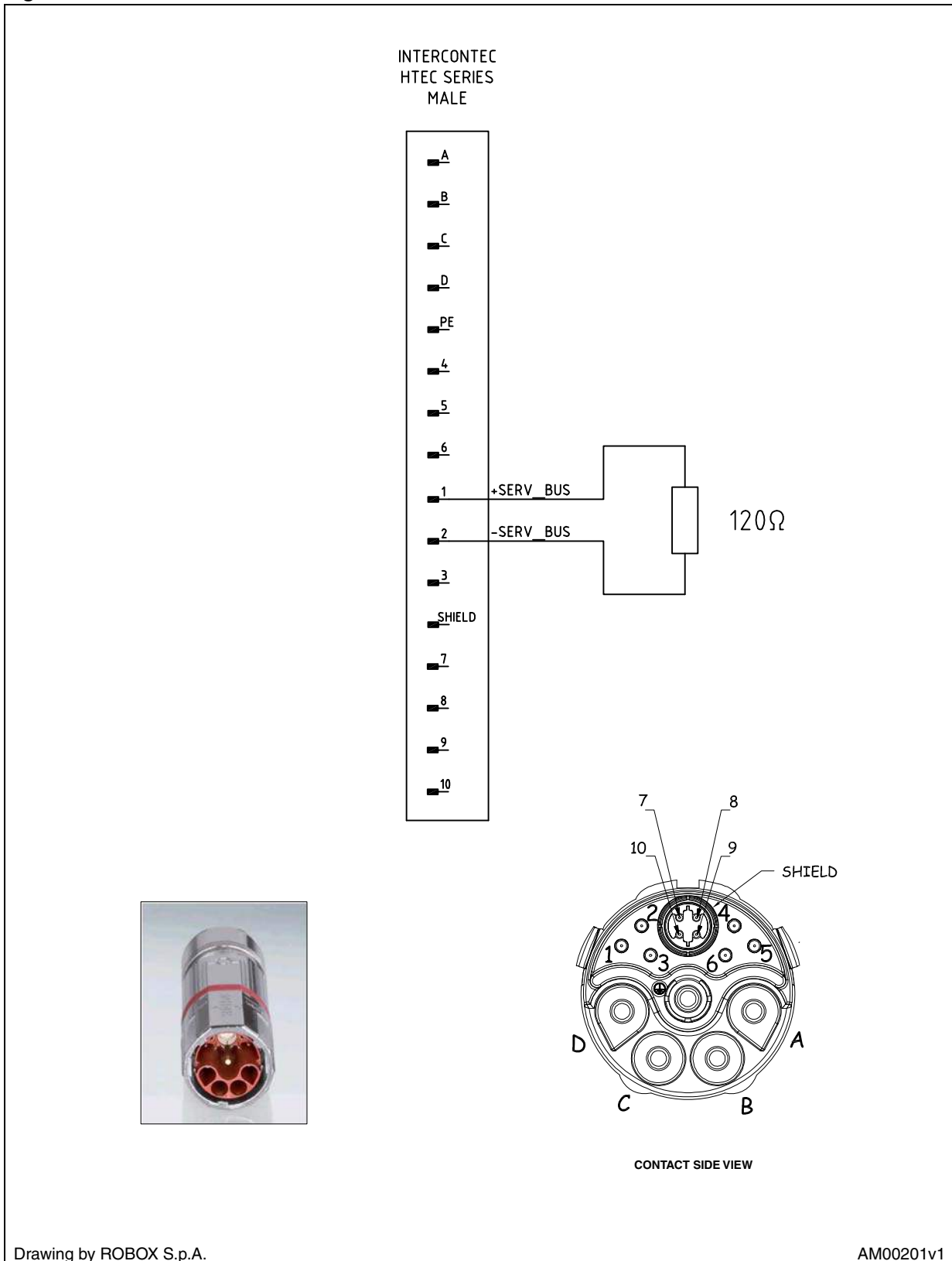
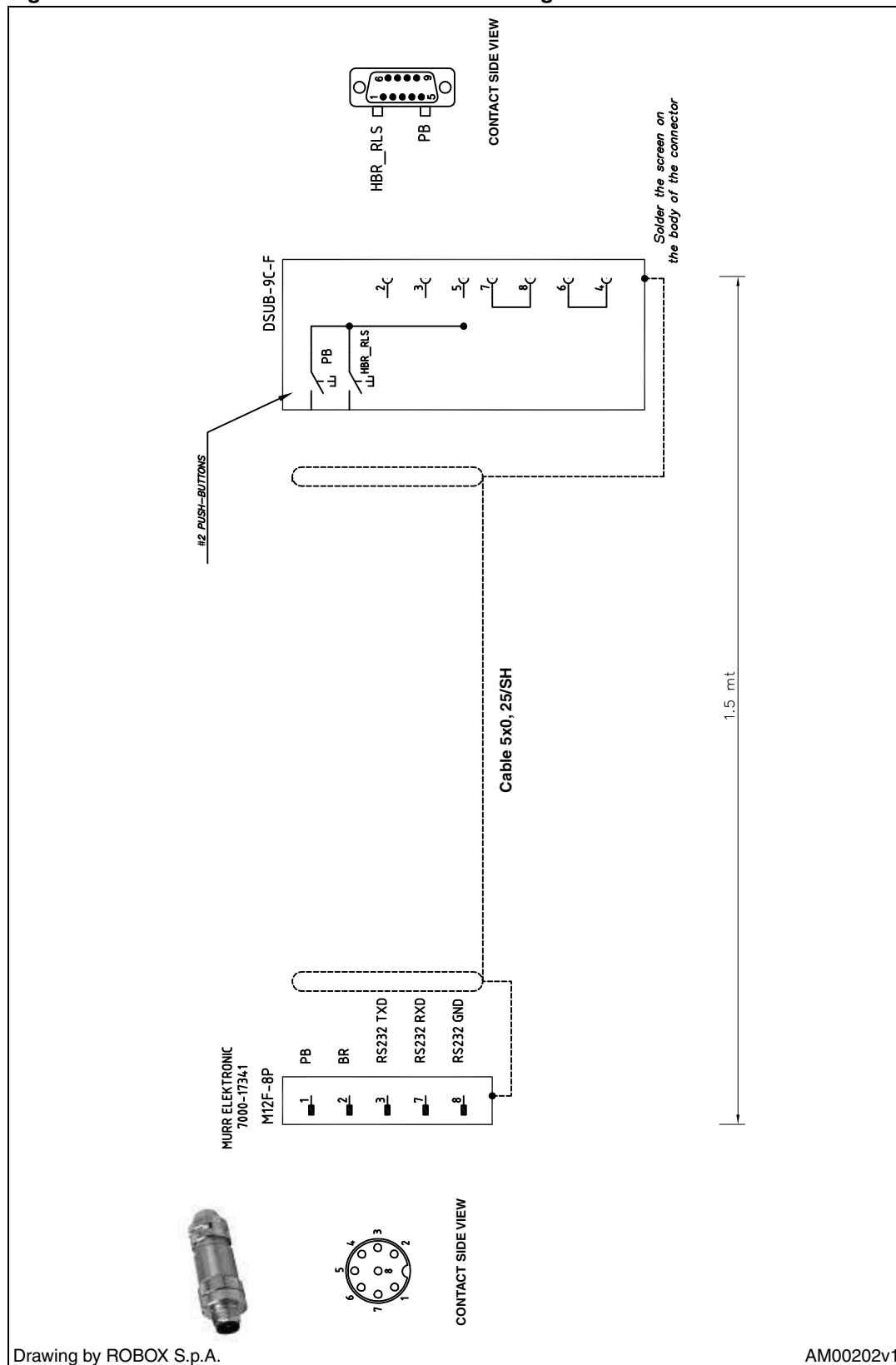


Figure 7. CAVO1SPIMD/RS232/1.5 connector diagram



2 Revision history

Table 1. Document revision history

Date	Revision	Changes
21-Dec-2011	1	Initial release.

Please Read Carefully:

Information in this document is provided solely in connection with ST products. STMicroelectronics NV and its subsidiaries ("ST") reserve the right to make changes, corrections, modifications or improvements, to this document, and the products and services described herein at any time, without notice.

All ST products are sold pursuant to ST's terms and conditions of sale.

Purchasers are solely responsible for the choice, selection and use of the ST products and services described herein, and ST assumes no liability whatsoever relating to the choice, selection or use of the ST products and services described herein.

No license, express or implied, by estoppel or otherwise, to any intellectual property rights is granted under this document. If any part of this document refers to any third party products or services it shall not be deemed a license grant by ST for the use of such third party products or services, or any intellectual property contained therein or considered as a warranty covering the use in any manner whatsoever of such third party products or services or any intellectual property contained therein.

UNLESS OTHERWISE SET FORTH IN ST'S TERMS AND CONDITIONS OF SALE ST DISCLAIMS ANY EXPRESS OR IMPLIED WARRANTY WITH RESPECT TO THE USE AND/OR SALE OF ST PRODUCTS INCLUDING WITHOUT LIMITATION IMPLIED WARRANTIES OF MERCHANTABILITY, FITNESS FOR A PARTICULAR PURPOSE (AND THEIR EQUIVALENTS UNDER THE LAWS OF ANY JURISDICTION), OR INFRINGEMENT OF ANY PATENT, COPYRIGHT OR OTHER INTELLECTUAL PROPERTY RIGHT.

UNLESS EXPRESSLY APPROVED IN WRITING BY TWO AUTHORIZED ST REPRESENTATIVES, ST PRODUCTS ARE NOT RECOMMENDED, AUTHORIZED OR WARRANTED FOR USE IN MILITARY, AIR CRAFT, SPACE, LIFE SAVING, OR LIFE SUSTAINING APPLICATIONS, NOR IN PRODUCTS OR SYSTEMS WHERE FAILURE OR MALFUNCTION MAY RESULT IN PERSONAL INJURY, DEATH, OR SEVERE PROPERTY OR ENVIRONMENTAL DAMAGE. ST PRODUCTS WHICH ARE NOT SPECIFIED AS "AUTOMOTIVE GRADE" MAY ONLY BE USED IN AUTOMOTIVE APPLICATIONS AT USER'S OWN RISK.

Resale of ST products with provisions different from the statements and/or technical features set forth in this document shall immediately void any warranty granted by ST for the ST product or service described herein and shall not create or extend in any manner whatsoever, any liability of ST.

ST and the ST logo are trademarks or registered trademarks of ST in various countries.

Information in this document supersedes and replaces all information previously supplied.

The ST logo is a registered trademark of STMicroelectronics. All other names are the property of their respective owners.

© 2011 STMicroelectronics - All rights reserved

STMicroelectronics group of companies

Australia - Belgium - Brazil - Canada - China - Czech Republic - Finland - France - Germany - Hong Kong - India - Israel - Italy - Japan - Malaysia - Malta - Morocco - Philippines - Singapore - Spain - Sweden - Switzerland - United Kingdom - United States of America

www.st.com