

Application Note:

TDPV1000E0C1 Single-Phase Inverter Evaluation Board

1. Introduction

The TDPV1000E0C1 inverter kit from Transphorm provides an easy way to evaluate the performance advantages of GaN power transistors in various inverter applications, such as solar and UPS. The kit provides the main features of a single-phase inverter in a proven, functional configuration, operating at or above 100kHz. At the core of the inverter are four GaN transistors configured as a full bridge. These are tightly coupled to gate-drive circuits on a board which also includes flexible microcontroller options and convenient communication connection to a PC. The switch-mode power signals are filtered to provide a pure sinusoidal output.

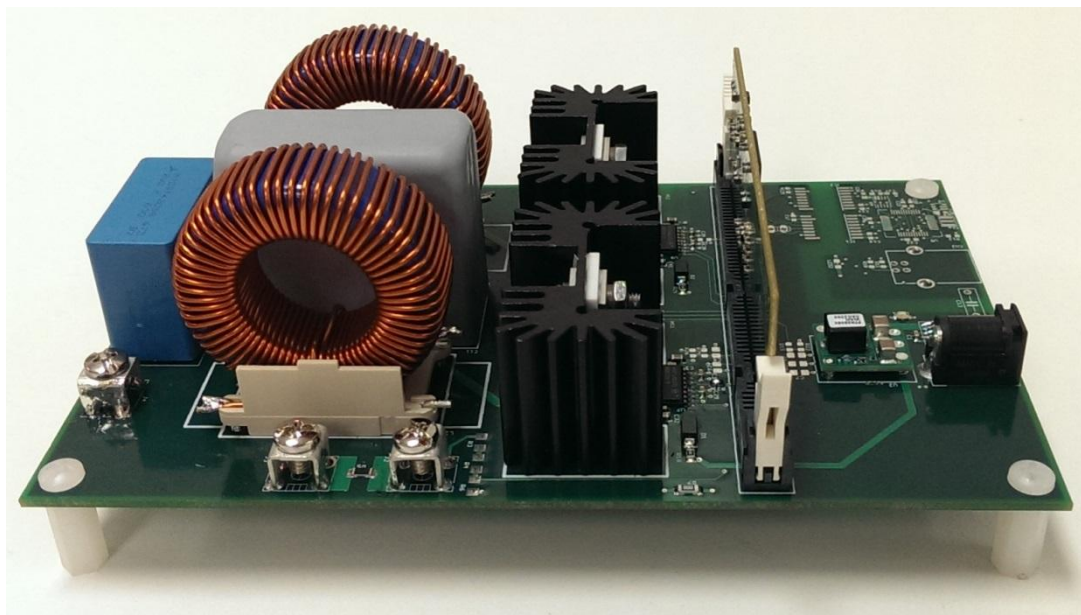


Fig. 1. Single-Phase Inverter Evaluation Board

The control portion of the circuit is designed around the popular C2000™* family of microcontrollers from Texas Instruments. Source code is available along with related support information directly from TI. In addition to this general resource, however, Transphorm provides original firmware which comes loaded in flash on the microcontroller. The source code, configured as a complete project, is also provided on the USB memory stick which comes with the kit. This project is a convenient starting point for further developments. The microcontroller itself resides on a small, removable control card, supplied by TI, so that different C2000 devices may be used if desired. The schematic for the TDPV1000E0C1 circuit board is provided on the USB memory stick.

*C2000™ is a trademark of Texas Instruments Incorporated.

Kit Contents

The kit comprises

- A TDPV1000E0C1 single-phase inverter assembly
- A Texas Instruments F28035 controlCARD
- A 12V power supply with universal AC adaptors
- Related media (documentation and software) on a USB memory stick
- Cable for, high-voltage DC input

Warning

While this kit provides the main features of an inverter, it is not intended to be a finished product. Our hope is that this will be a tool which allows you to quickly explore ideas which can be incorporated in your own inverter design. Along with this explanation go a few warnings which should be kept in mind:

To keep the design simple and to provide ready access to signals of interest, high-voltages are present on exposed nodes. It is up to you to provide adequate safeguards against accidental contact, or use by unqualified personnel, in accordance with your own lab standards.

There is no short-circuit or over-current protection provided at the output. Current-sense devices are connected to the AC outputs, and may be used for over-current protection, but it should not be assumed that the firmware, as delivered, includes such a feature.

2. TDPV1000E0C1 Input/output Specifications:

- Input: 0-400Vdc:
- Output: $V_{dc} / \sqrt{2}$ V_{rms} at 50/60Hz*, up to 1000VA;
- PWM Frequency: 100kHz to 200 kHz**
- Auxiliary Supply (V_{gg}): 12Vdc.

*The output frequency may be changed in the software. As delivered it is 60Hz.

**The switching frequency may be changed in the software. As delivered it is 100kHz.

3. Circuit Description

Overview

Refer to Figure 2 for a block diagram of the inverter circuit. A detailed schematic is also provided in pdf format on the USB stick which comes with the kit.

The TDPV1000E0I inverter is a simple full-bridge inverter. Two GaN half bridges are driven with pulse-width modulated command signals to create the sinusoidally varying output. The output filter largely removes the switching frequency, leaving the 50/60Hz fundamental sinusoid. The high-frequency (100kHz+) PWM signals are generated by the TI microcontroller and connected directly to high-speed, high-voltage gate drivers. A connection for external communication to the microcontroller is provided by an isolated USB interface. Except for the high-voltage supply for the power stage, all required voltages for the control circuitry are derived from one 12V input.

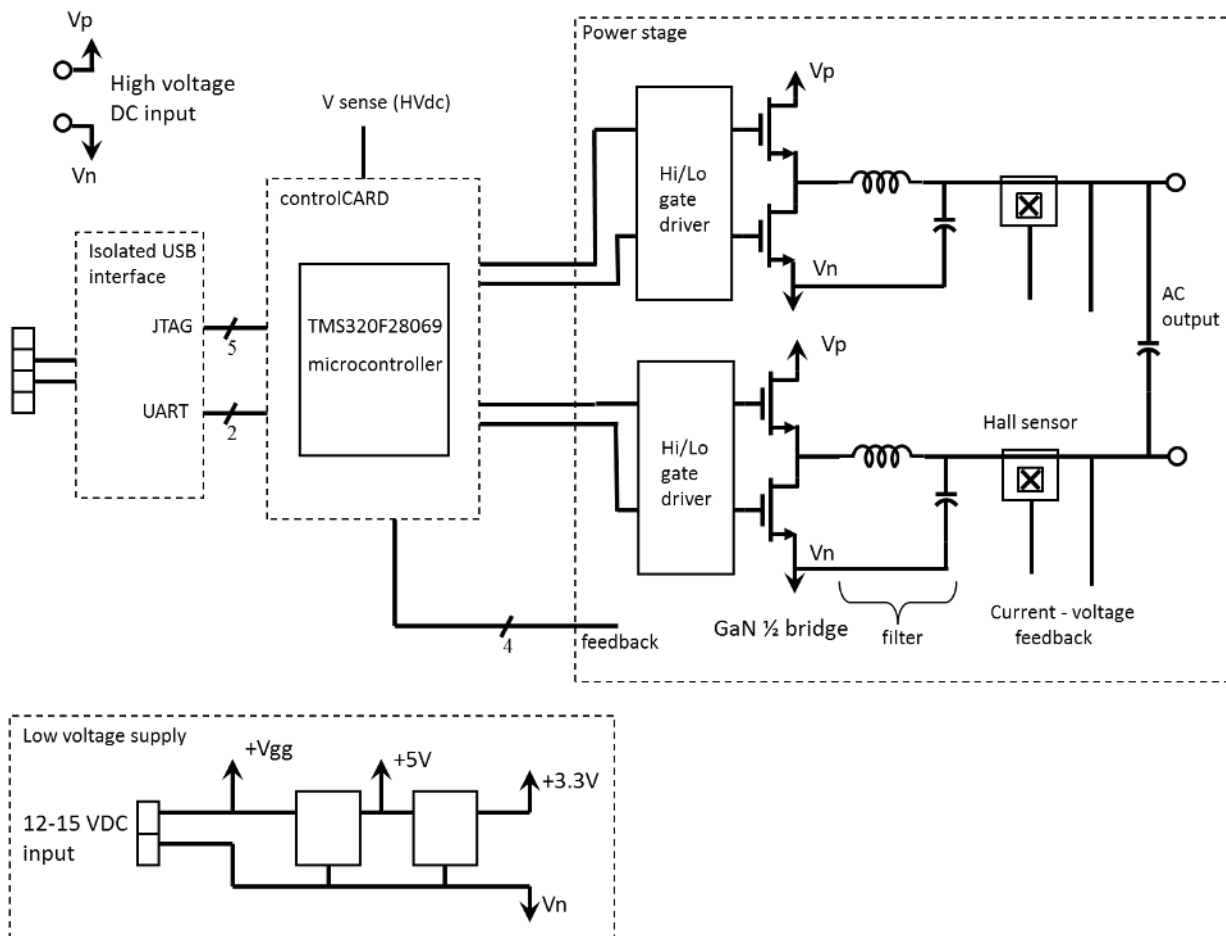


Fig .2. Circuit block diagram

The inverter takes advantage of diode-free operation*, in which the freewheeling current is carried by the GaN HEMTs themselves, without the need of additional freewheeling diodes.

*US patent 7,965,126 B2

For minimum conduction loss, the gates of the transistors are enhanced while they carry the freewheeling current. The high and low-side V_{gs} waveforms are therefore pairs of non-overlapping pulses, as illustrated in Figure 3.

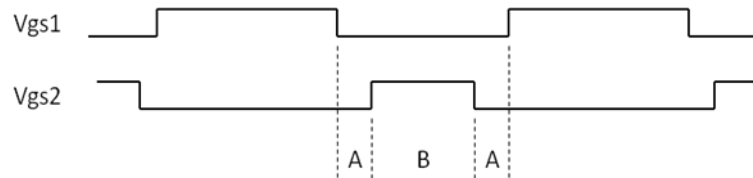


Figure 3: non-overlapping gate-drive pulse. A is a deadtime set in the firmware

Gate Drivers

High-voltage integrated drivers supply the gate-drive signals for the high and low-side power transistors. These are 600V high-and-low-side drivers (Silicon Labs Si8230 family), specifically chosen for high-speed operation without automatic deadtime insertion. The deadtime between turn-off of one transistor in a half bridge and turn-on of its mate is set in the firmware.

Output Filter

A simple LCL filter on the output (L3, L4, C37, and C54-57) attenuates the switching frequency, producing a clean sinusoidal waveform for output connections at terminals J4 and J5. The filter inductors and capacitors used on the demo board were chosen to provide an optimal combination of benefits: low loss, good attenuation of the switching frequency, and small size. Consult the schematic and/or bill of materials to verify values, but in general the cutoff frequency will be around 5-10kHz, to accommodate 100kHz switching. The inductors have powder cores with relatively low permeability (60-90) and soft saturation characteristics. The inductors and/or capacitors can be changed to evaluate different filter designs.

Current sensing

Hall sensors U8 and U10 provide linear current feedback to the microcontroller. These signals could be used to control output power flow, and/or to protect against short circuits. The firmware provided with the kit, however, does not actually make use of this feedback. Note that these are placed at an intermediate point of the output filter. Refer to the bill of materials to confirm the sensor part numbers, but typical would be the Allegro ACS712-20A sensor, which

has a $\pm 20\text{A}$ range (100mV/A). These parts are pin compatible with $\pm 5\text{A}$ and $\pm 30\text{A}$ versions of the ACS712, should higher or lower ranges be desired. Note also that resistor dividers scale the 5V outputs for the 3V range of the A/D.

Communication

Communication between the microcontroller and a computer is accomplished with a standard USB cable. The isolated USB interface enables simultaneous operation of two physical ports to the microcontroller: a JTAG port for debug and loading of firmware, and a UART for communication with a host application.

Control Card

The microcontroller resides on a removable card, which inserts in a DIM100 socket on the inverter PCB. The socket can accept many of the C2000™ series controlCARDS from Texas Instruments. The TMDSCNCD28035 Piccolo controlCARD supplied with the kit provides capability to experiment with a wide variety of modulation and control algorithms. It comes loaded with firmware to allow immediate (out-of-the-box) operation. Should the user wish to use an alternate microcontroller family, an appropriate control card can be designed to insert into the DIM100 socket.

Heat Sink

The two TO-220 GaN transistors of each half bridge are mounted to a common heat sink. The heat sink is adequate for 1000W operation without forced air flow. Even higher efficiency at high power may be achieved by minimizing the temperature rise. This may be accomplished with forced airflow. Alternately the heat sinks could be replaced with larger or more effective ones.

Connections

Power for the AC output is derived from the HV DC input. This will typically be a DC power supply with output voltage up to 400Vdc. A 22uF, low ESR, film capacitor is provided as a bypass capacitor for the HV supply, along with several lower valued ceramic capacitors in

parallel. This is not intended to provide significant energy storage. It is assumed that the power supply or preceding DC-DC stage contains adequate output capacitance.

The control, communication, and gate-drive circuits are all powered from a single 12V input (V_{gg}). The wall-plug adaptor provided generates the appropriate voltage (typically 12V) and power level.

Note that only the USB port is isolated; all other signals on the board are referenced to the negative terminals of the high and low voltage supplies, which are tied together on the PCB. The heat sinks are also connected to the negative terminal of the supplies.

Connection sequence

Refer to figure 5. Insert the microcontroller card in the DIM100 connector before applying any power to the board. To use the preloaded firmware, verify that jumper JP1 is removed. This releases the JTAG port and allows the microcontroller to boot from flash. For communication with a host over the JTAG port, JP1 should be installed.

With the supply turned off, connect the high-voltage power supply to the +/- inputs (J2 and J3). If a load is to be used, connect it to the output terminals (J4 and J5).

Insert the V_{gg} (12V) plug into jack J1. LED1 should illuminate, indicating power is applied to the 5V and 3.3V regulators. Depending on the specific control card used, one or more LEDs on the control card will also illuminate, indicating power is applied. A flashing LED indicates the firmware is executing.

To use the pre-loaded firmware no computer connection is required. If a computer connection is required for code modification, connect the USB cable from the computer to the USB connector (CN3). LED2 should illuminate, indicating isolated +5V power is applied over the USB cable.

Turn on the high voltage power. The high-voltage supply may be switched on instantly or raised gradually.

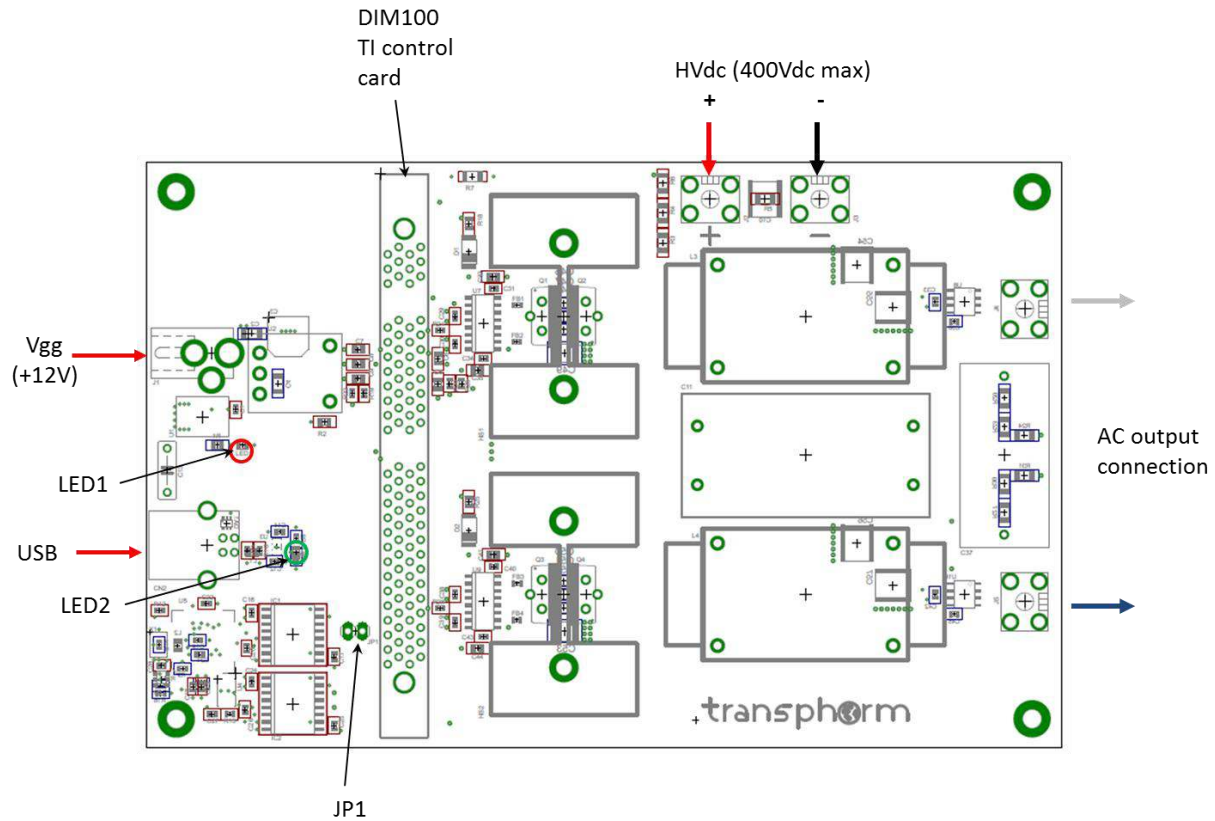


Figure 5: Connections

Test

Figure 6 shows typical waveforms. The negative terminal of the high-voltage supply is a convenient reference for oscilloscope measurements, provided there are not multiple connections to earth ground.

Typical efficiency results are shown in Figure 7. These data points correspond to efficiency measurements made in still air with 20 minutes dwell at each power level. Input power from the 350Vdc source and output power to a resistive load were measured with a Yokogawa WT1800 power analyzer.

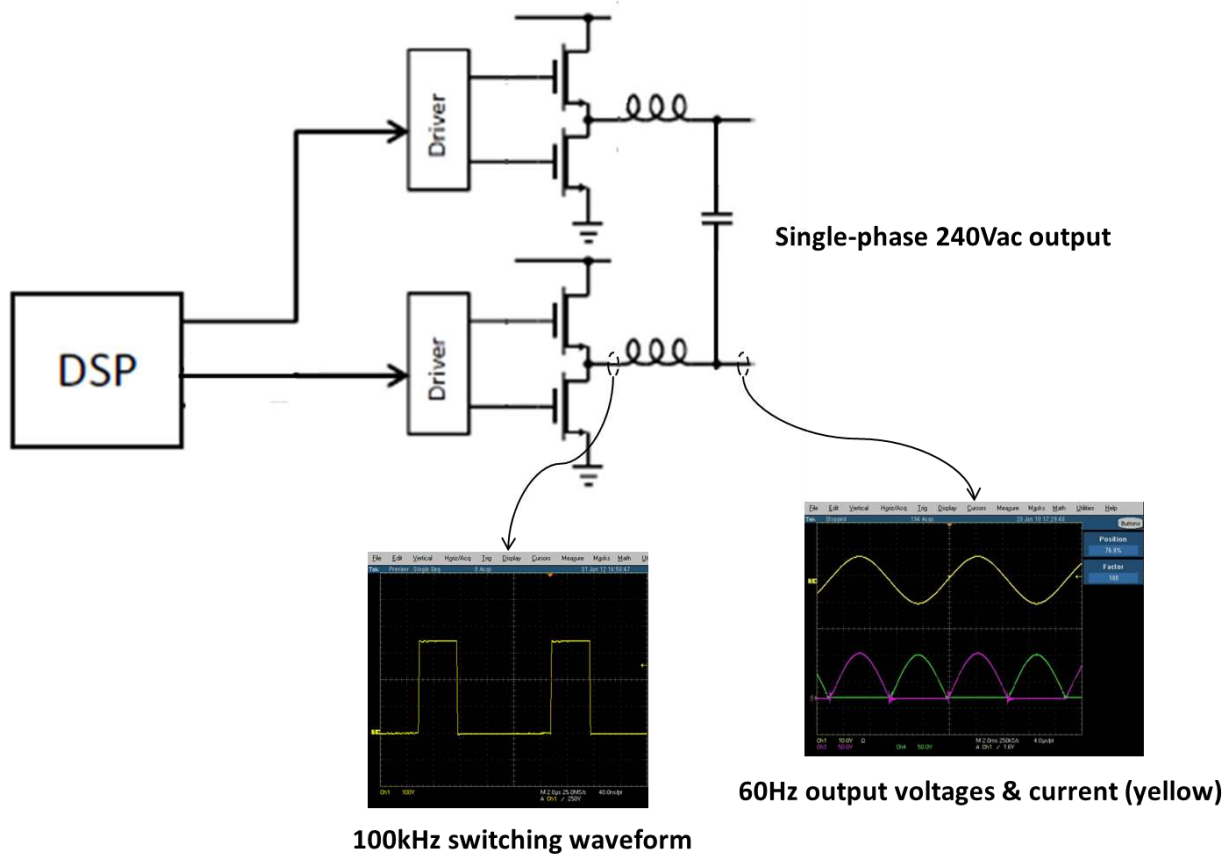


Figure 6. Typical Waveforms

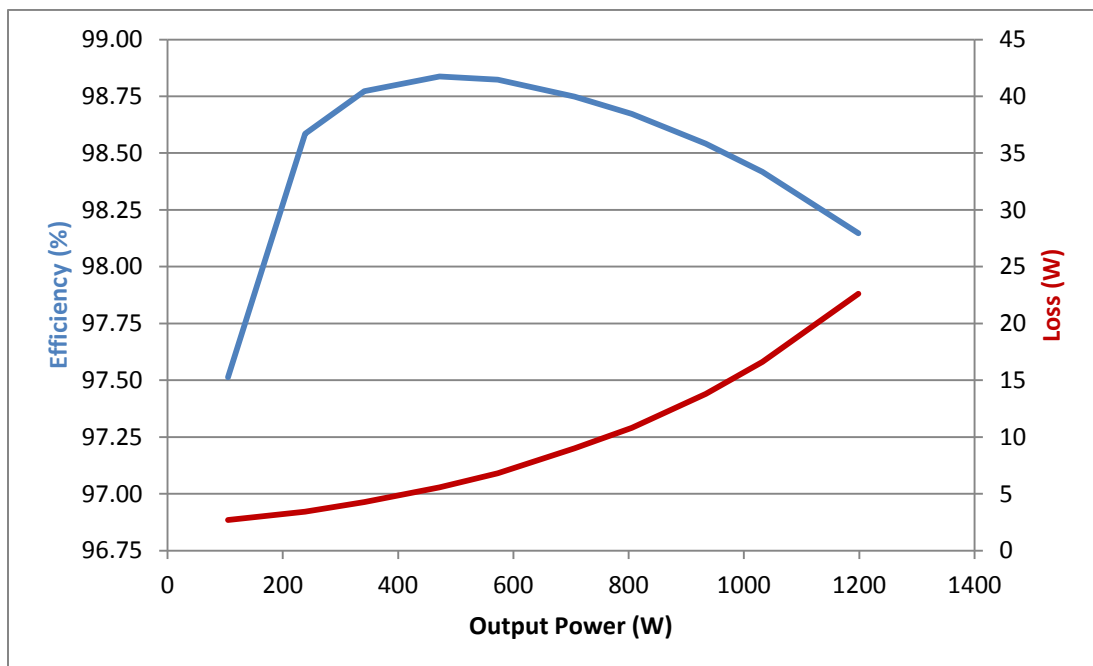


Figure 7. Typical Efficiency 350Vdc input, 240Vac output

Bill of Materials

Qty	Value	Device	Parts	Manf	Manf P/N
2		529802B02500G	HS1, HS2	Aavid Thermalloy	529802B02500G
1	CSTCR6M00G53Z-R0	CSTCR	X1	Murata	CSTCR6M00G53Z-R0
2	ES1J	DIODE-DO-214AC	D1, D2	Fairchild	ES1J
4	120Ohm	FB0603	FB1, FB2, FB3, FB4	TDK	MMZ1608Q121B
4	7691	KEYSTONE_7691	J2, J3, J4, J5	Keystone	7691
2	SML-211UTT86	LEDCHIP-LED0805	LED1, LED2	Rohm	SML-211UTT86
2	320uH	MAGINC_TVH49164A	L3, L4	CWS	Mag-Inc 77083 core; 63 turns AWG18
1	961102-6404-AR	PINHD-1X2	JP1	3M	961102-6404-AR
1	PJ-002AH-SMT	PJ-002AH	J1	CUI Inc	PJ-002AH-SMT
1	897-43-004-90-000000	USBSHIELD	CN2	Mill-Max	897-43-004-90-000000
2	.1u	C-EUC1812	C49, C53	Kemet	C1812V104KDRACTU
24	.1u	C-USC0603	C1, C14, C16, C17, C19, C20, C21, C22, C23, C24, C25, C26, C27, C28, C29, C30, C31, C33, C34, C38, C39, C40, C42, C43	AVX	06033C104JAT2A
5	.1u	C-USC0805	C5, C6, C7, C8, C9	AVX	08053C104KAT2A
5	.1u	C-USC2225K	C10, C54, C55, C56, C57	Vishay	VJ2225Y104KXGAT
2	5.76k	R-US_R0603	R21, R28	Yageo	RC0603JR-070RL
1	0	R-US_R1206	R7	Panasonic	ERJ-8GEY0R00V
1	1M	R-US_R0603	R14	Rohm	MCR03EZPFX1004
2	1k	R-US_R0603	R8, R15	Rohm	MCR03EZPJ102
1	1k	R-US_R0805	R1	Panasonic	ERJ-6GEYJ102V
2	1n	C-USC0603	C36, C45	AVX	06035C102KAT2A
2	1u	C-USC0603	C12, C18	Yageo	CC0603KRX5R6BB105
1	2.2u	C-USC0603	C15	AVX	0603YD225MAT2A
2	2k2	R-US_R0603	R13, R17	Panasonic	ERJ-3GEYJ222V
1	2u/630V	B32674D6225K	C37	Epcos	B32674D6225K
6	4.7n	C-EUC1206	C46, C47, C48, C50, C51, C52	Kemet	C1206C472KDRACTU
2	5.23k	R-US_R0603	R19, R26	Panasonic	ERJ-3EKF5231V
3	9.09k	R-US_R1206	R6, R24, R31	Panasonic	ERJ-8ENF9091V
2	10	R-US_R0805	R18, R25	Panasonic	ERJ-6GEYJ100V
2	10.2k	R-US_R0603	R22, R29	Panasonic	ERJ-3EKF1022V
1	10MEG	R-US_R1206	R5	Stackpole	HVCB1206FKC10M0
2	10k	R-US_R0603	R12, R16	Panasonic	ERJ-3GEYJ103V

4	10u	C-EUC0805	C32, C35, C41, C44	Kemet	C0805C106M4PACTU
1	10u	C-USC1206	C4	AVX	12063D106KAT2A
1	22u	C-USC1206	C2	AVX	12103D226KAT2A
2	22u	FB0805	L1, L2	Murata	LQM21FN220N00L
2	27	R-US_R0603	R10, R11	Vishay	CRCW060327R0FKEA
1	93LC46B	93LC46B	U6	Microchip	93LC46BT-I/OT
1	100n	C-US075-032X103	C13	AVX	SA111E104MAR
1	100u	PANASONICFPV	C3	Panasonic	EEE-FPE101XAP
1	348	R-US_R0805	R2	Panasonic	ERJ-6ENF3480V
1	470	R-US_R0603	R9	Rohm	ESR03EZPF4700
6	560k	R-US_R1206	R3, R4, R20, R23, R27, R30	Yageo	RC1206FR-07560KL
2	ACS712	ACS712	U8, U10	Allegro Microsystems	ACS712ELCTR-20A-T
1	BAW567	BAW567	DA1	Diodes Inc	BAW567DW-7-F
1	DIM100_TICONT	ROLCARD DIM100_TICONTROLCARD	CN1	Molex	876301001
1	FT2232D	FT2232D	U5	FTDI	FT2232D-REEL
1	ISO7240	ISO7240	IC1	TI	ISO7240CDW
1	ISO7242	ISO7242	IC2	TI	ISO7242CDW
1	LVC2G74	LVC2G74	U4	TI	SN74LVC2G74DCTR
1	22uF/450V	P4 MKP1848622454P4	C11	Vishay	MKP1848622454P4
1	PTH08080WAH	PTH08080WAH	U2	TI	PTH08080WAH
2	SI8230	SI8230	U7, U9	Silicon Laboratories	SI8230BB-B-IS1
2	TPH3006PS	TPH_TO220VERT_TRI	Q1,Q2,Q3, Q4	Transphorm	TPH3006PS
2	Q1, Q3 insulator			Bergquist	SP2000-0.015-00-54
2	Q2, Q4 insulator			Aavid Thermalloy	53-77-9G
1	TPS73033	TPS73033	U3	TI	TPS73033DBVR
1	TPS79533	TPS79533	U1	TI	TPS79533DCQR