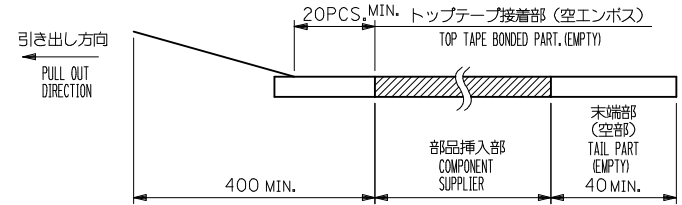
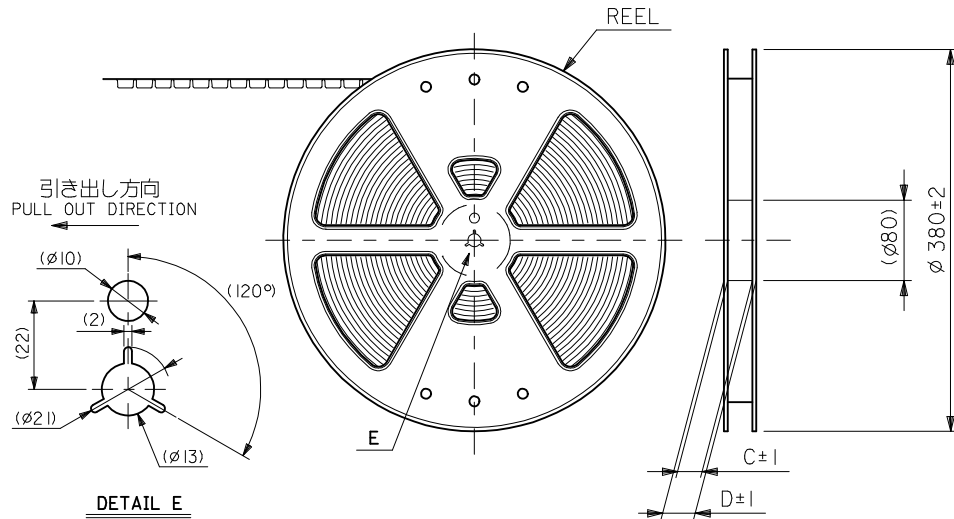
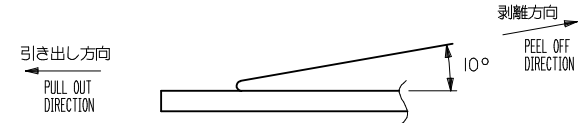


注記 NOTES

- 製品詳細寸法については、図面SD-54393-022を参照下さい。
RE DETAILED DIMENSION, SEE SD-54393-022.
- 梱包数量：2000個/リール
NUMBER OF CONNECTORS : 2000PCS/REEL
- リードテープ長さ LEAD TAPE LENGTH



- トップテープの剥離強度：0.1N~1.3N {10gf~130gf}
(剥離方向は下図参照)
尚、本規格値は出荷時に適用。(但し、輸送時に剥離が発生しないこと。)
PEELING OFF FORCE OF TOP TAPE : 0.1N ~ 1.3N {10gf ~ 130gf}
(PEELING DIRECTION AS SHOWN IN FOLLOWING FIG.)
THIS REQUIREMENT SHOULD BE APPLIED AT SHIPMENT.
PEEL OFF SHOULD NOT BE ALLOWED, DURING TRANSPORTATION.



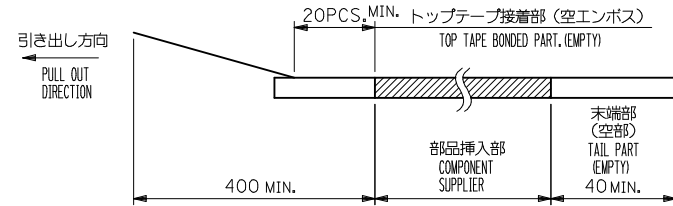
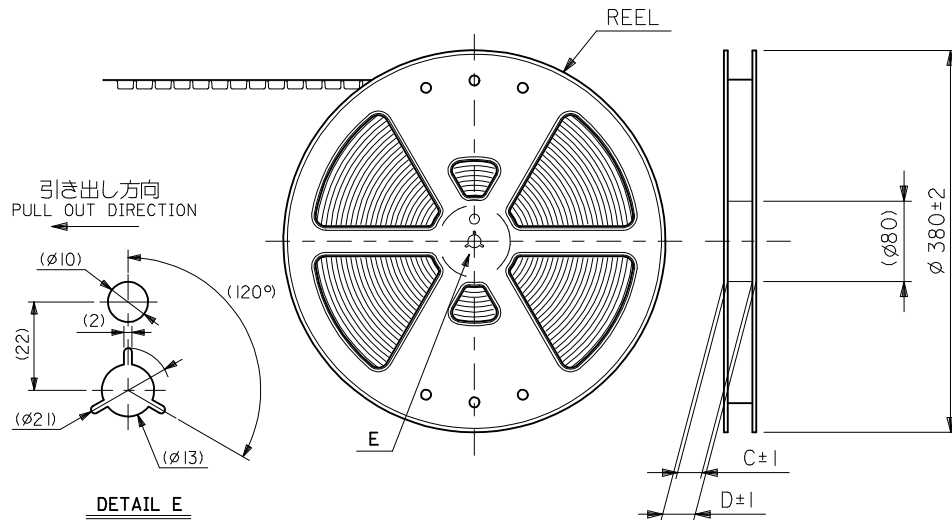
- 材料 (MATERIAL)
キャリアテープ (CARRIER TAPE) : ポリプロピレン (POLYPROPYLENE)
トップテープ (TOP TAPE) : PET, PE, PEF
リール (REEL) : ポリスチレン (PS) <リサイクル材を含む>
POLYSTYREN (PS) <RECYCLE MATERIAL CONTAINED>
- 本製品は54393-**92の鉛フリー品です。
THIS PRODUCT IS LEAD FREE OF 54393-**92

MATERIAL 材料
注記参照
SEE NOTES

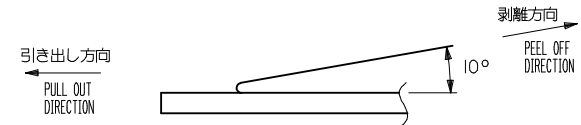
REVISED EC NO: J2017-0575 DRAWINGS CHKD: APPR:MSASAO 2017/05/30 2017/06/29	GENERAL TOLERANCES (UNLESS SPECIFIED)		DIMENSION STYLE	SCALE	54393-**82	MODEL NO.
	0.25 UNDER ±0.03		MM ONLY	---	DESIGN UNITS	THIRD ANGLE PROJECTION
	0.25 OVER 0.5 UNDER ±0.05		DRAWN BY	DATE	METRIC	
	0.5 OVER 1.0 UNDER ±0.1		T.UENO	2003/12/22		TITLE
REV DESCRIPTION	1.0 OVER 10 UNDER ±0.2		CHECKED BY	DATE	0.3 FPC CONN (EASY ON) HSG ASSY EMBSTP PKG -LEAD FREE-	
	10 OVER 30 UNDER ±0.25		M.SASAO	2003/12/22	molex	
	30 OVER ±0.3		APPROVED BY	DATE		
	ANGULAR ±3 °		M.SASAO	2003/12/22	MATERIAL NO.	DOCUMENT NO.
DRAFT WHERE APPLICABLE MUST REMAIN WITHIN DIMENSIONS			SIZE	THIS DRAWING CONTAINS INFORMATION THAT IS PROPRIETARY TO MOLEX ELECTRONIC TECHNOLOGIES, LLC AND SHOULD NOT BE USED WITHOUT WRITTEN PERMISSION		
			A3	SEE CHART SD-54393-017 1 OF 2		

注記 NOTES

- 製品詳細寸法については、図面SD-54393-022を参照下さい。
RE DETAILED DIMENSION, SEE SD-54393-022.
- 梱包数量：2000個/リール
NUMBER OF CONNECTORS : 2000PCS/REEL
- リードテープ長さ LEAD TAPE LENGTH



- トップテープの剥離強度：0.1N~1.3N {10gf~130gf}
(剥離方向は下図参照)
尚、本規格値は出荷時に適用。(但し、輸送時に剥離が発生しないこと。)
PEELING OFF FORCE OF TOP TAPE : 0.1N ~ 1.3N {10gf ~ 130gf}
(PEELING DIRECTION AS SHOWN IN FOLLOWING FIG.)
THIS REQUIREMENT SHOULD BE APPLIED AT SHIPMENT.
PEEL OFF SHOULD NOT BE ALLOWED, DURING TRANSPORTATION.



- 材料 (MATERIAL)
キャリアテープ (CARRIER TAPE)：ポリプロピレン (POLYPROPYLENE)
トップテープ (TOP TAPE)：PET, PE, PEF
リール (REEL)：ポリスチレン (PS) <リサイクル材を含む>
POLYSTYREN (PS) <RECYCLE MATERIAL CONTAINED>
- 本製品は54393-**92の鉛フリー品です。
THIS PRODUCT IS LEAD FREE OF 54393-**92

MATERIAL 材料
注記参照
SEE NOTES

REVISED EC NO: J2017-0575 DRAWINGS CHKD: APPR:MSASAO	2017/05/30 2017/06/29	GENERAL TOLERANCES (UNLESS SPECIFIED)		DIMENSION STYLE		SCALE	54393-**82	MODEL NO.	
				MM ONLY		---	DESIGN UNITS	THIRD ANGLE PROJECTION	
						DRAWN BY	DATE	TITLE	
						CHECKED BY	DATE		
						APPROVED BY	DATE		
						MATERIAL NO.	DOCUMENT NO.	SHEET NO.	
				DRAFT WHERE APPLICABLE MUST REMAIN WITHIN DIMENSIONS		SIZE	THIS DRAWING CONTAINS INFORMATION THAT IS PROPRIETARY TO MOLEX ELECTRONIC TECHNOLOGIES, LLC AND SHOULD NOT BE USED WITHOUT WRITTEN PERMISSION		

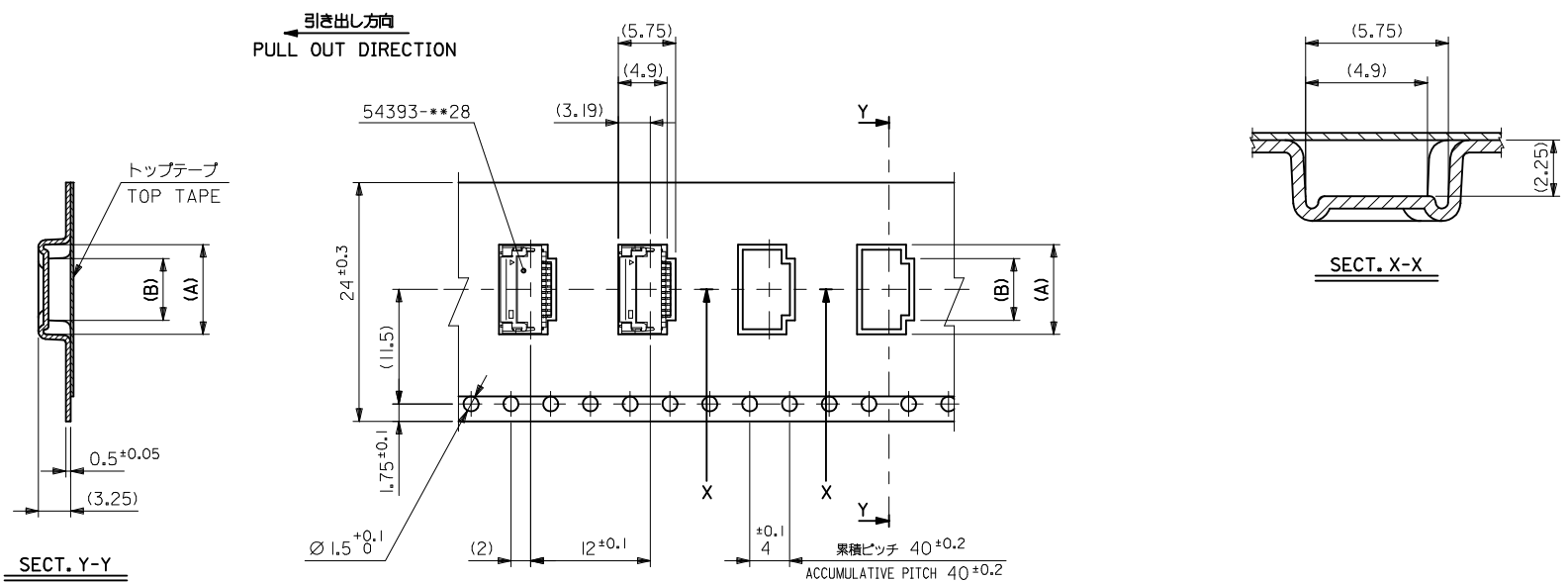
0.3 FPC CONN (EASY ON)
HSG ASSY EMBSTP PKG
-LEAD FREE-

molex

SEE CHART

SD-54393-017

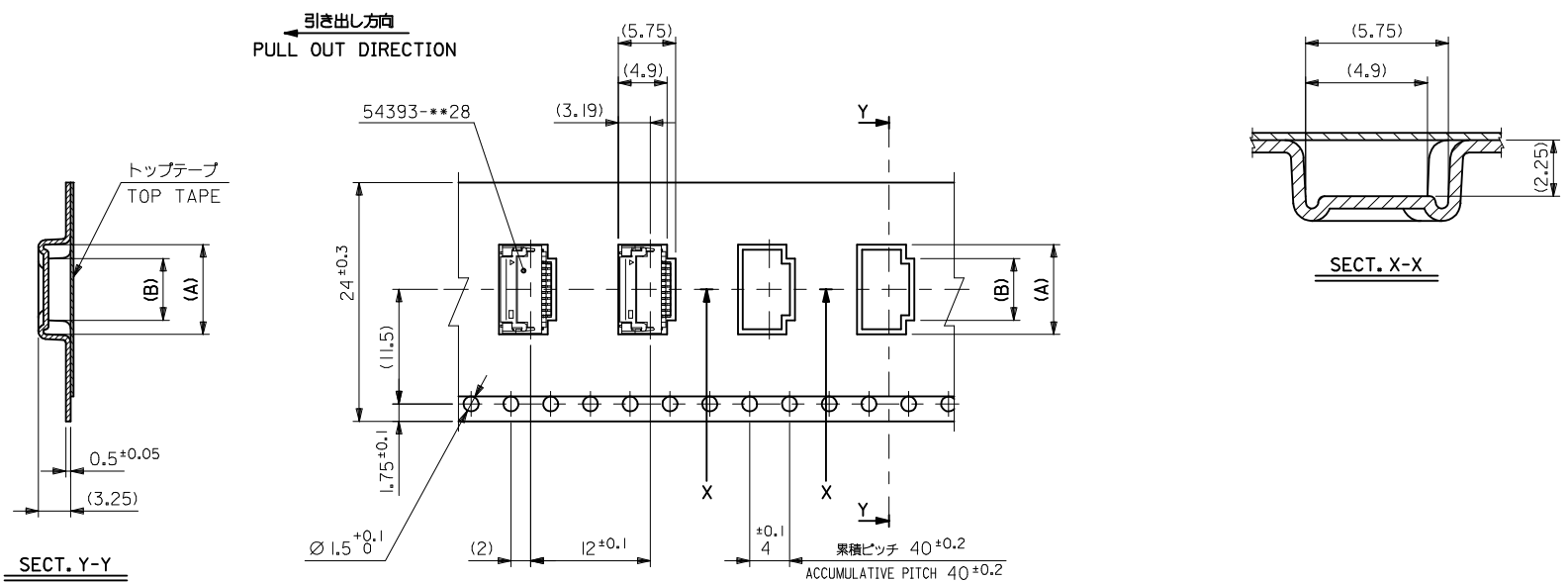
1 OF 2



24mm幅キャリアテープ
24mm WIDTH CARRIER TAPE

MATERIAL 材料
注記参照
SEE NOTES

REVISED EC NO: J2017-0575 DRAWINGS CHKD: APPR:MSASAO 2017/05/30 2017/06/29	54393-***82		MODEL NO.		24	29.4	25.4	9.8	12.6	54393-3382	33
	GENERAL TOLERANCES (UNLESS SPECIFIED)		DIMENSION STYLE		SCALE			DESIGN UNITS		THIRD ANGLE PROJECTION	
	MM ONLY		---			METRIC					
	0.25 UNDER ±0.03		DRAWN BY T.UENO		DATE 2003/12/22		TITLE		0.3 FPC CONN (EASY ON) HSG ASSY EMBSTP PKG -LEAD FREE-		
0.25 OVER 0.5 UNDER ±0.05		CHECKED BY M.SASAO		DATE 2003/12/22		MATERIAL NO.		SD-54393-017			
0.5 OVER 1.0 UNDER ±0.1		APPROVED BY M.SASAO		DATE 2003/12/22		DOCUMENT NO.		SHEET NO. 2 OF 2			
1.0 OVER 10 UNDER ±0.2		MATERIAL NO.		SEE CHART							
10 OVER 30 UNDER ±0.25		DRAFT WHERE APPLICABLE MUST REMAIN WITHIN DIMENSIONS		SIZE A3		THIS DRAWING CONTAINS INFORMATION THAT IS PROPRIETARY TO MOLEX ELECTRONIC TECHNOLOGIES, LLC AND SHOULD NOT BE USED WITHOUT WRITTEN PERMISSION					
30 OVER ±0.3											
ANGULAR ±3 °											



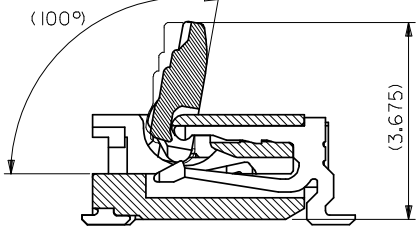
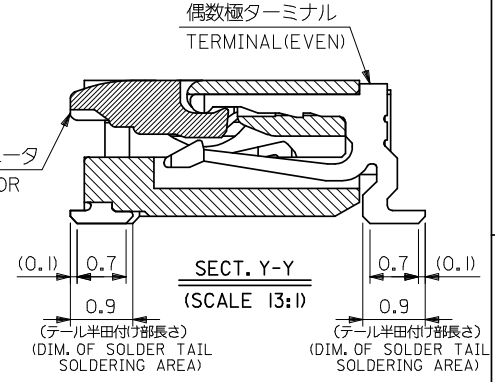
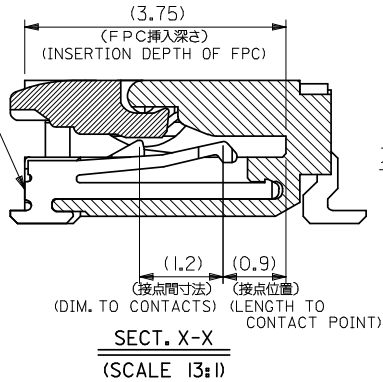
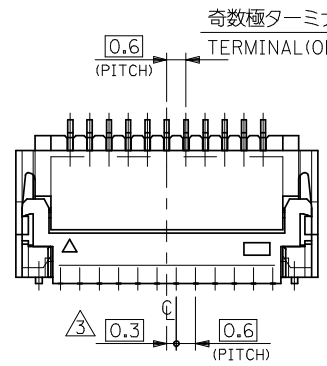
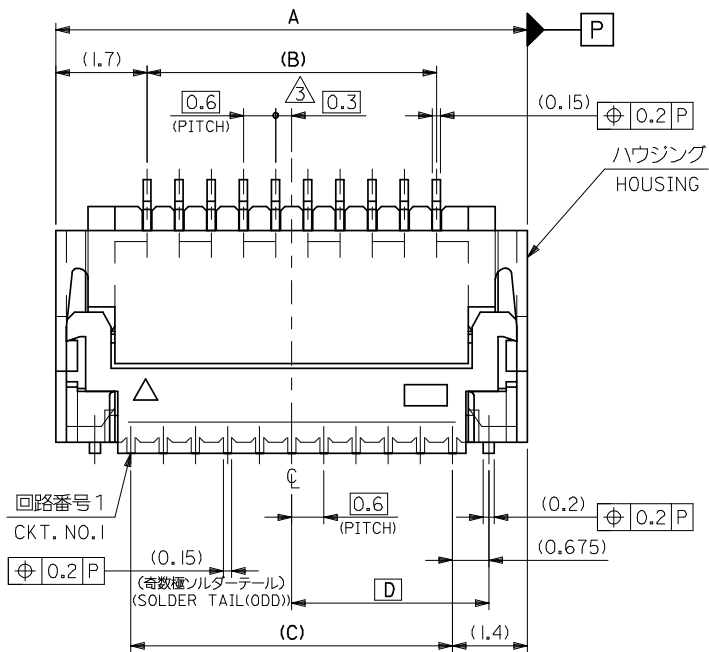
24mm幅キャリアテープ
24mm WIDTH CARRIER TAPE

24	29.4	25.4	9.8	12.6	54393-3382	33
キャリアテープ幅 CARRIER TAPE WIDTH	D	C	B	A	54393-2182	21
					MATERIAL NO.	種数 CKT.

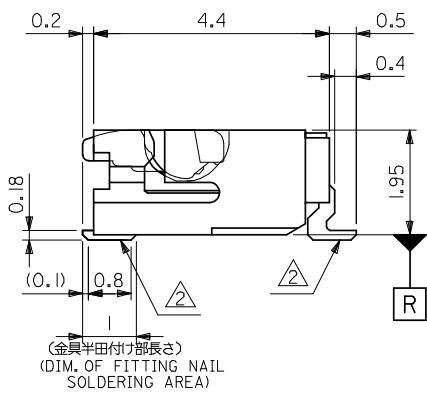
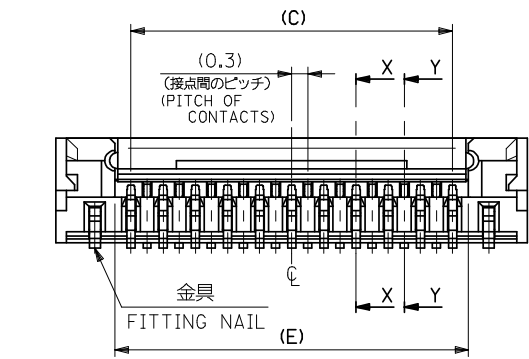
REVISED EC NO: J2017-0575 DRAWINGS CHKD: APPR:MSASAO	2017/05/30 2017/06/29	54393-***82		MODEL NO.		DIMENSION STYLE MM ONLY		SCALE ---		DESIGN UNITS METRIC		THIRD ANGLE PROJECTION	
		GENERAL TOLERANCES (UNLESS SPECIFIED)		DRAWN BY T. UENO		DATE 2003/12/22		TITLE 0.3 FPC CONN (EASY ON) HSG ASSY EMBSTP PKG -LEAD FREE-		molex		SHEET NO. 2 OF 2	
		0.25 UNDER ±0.03	0.5 UNDER ±0.05	CHECKED BY M. SASAO		DATE 2003/12/22							
		0.25 OVER 0.5 UNDER ±0.1	1.0 OVER 1.0 UNDER ±0.2	APPROVED BY M. SASAO		DATE 2003/12/22							
10 OVER 30 UNDER ±0.25	30 OVER ±0.3	MATERIAL NO.		DOCUMENT NO.		SEE CHART		SD-54393-017					
DRAFT WHERE APPLICABLE MUST REMAIN WITHIN DIMENSIONS		SIZE A3		THIS DRAWING CONTAINS INFORMATION THAT IS PROPRIETARY TO MOLEX ELECTRONIC TECHNOLOGIES, LLC AND SHOULD NOT BE USED WITHOUT WRITTEN PERMISSION									

MATERIAL
材料

注記参照
SEE NOTES



アクチュエータを開口した状態
WHEN ACTUATOR IS OPENED

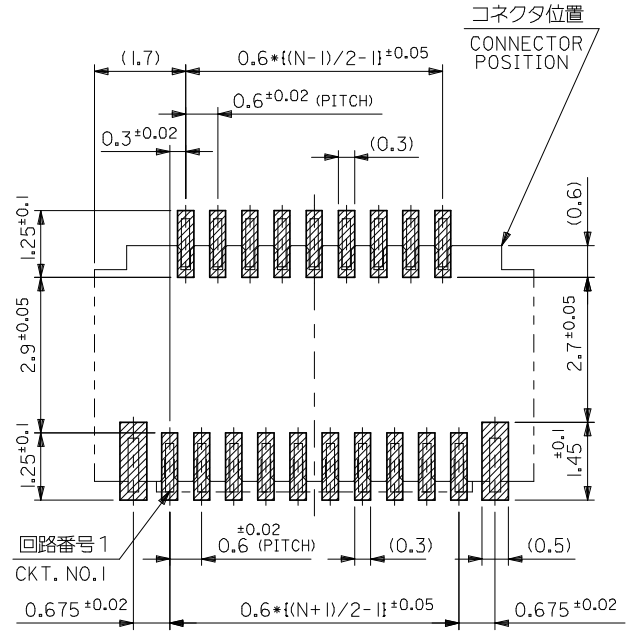


注記 NOTES

- 使用材料 MATERIAL
 ハウジング : LCP , UL94V-0
 HOUSING
 アクチュエータ : PPS , UL94V-0
 ACTUATOR
 ターミナル : リン青銅 (t=0.15) , ニッケル下地鍍ピスマスメッキ
 TERMINAL : PHOS-BRO. , TIN-BISMUTH OVER NICKEL PLATING.
 金具 : リン青銅 (t=0.2) , ニッケル下地鍍メッキ
 FITTING NAIL : PHOS-BRO. , TIN OVER NICKEL PLATING.
 ソルダーテール半田付け面のスレ量、及び金具半田付け面のスレ量は、基準面 R に対し、
 上方向 OMA X、下方向 O、1.8 MAX. とする。
 又、相互のパラッキ量は O、1 MAX. とする。
 MISALIGNMENT OF SOLDER TAILS AND FITTING NAILS FROM R
 UPPER DIRECTION : 0 MAX. , LOWER DIRECTION : 0.18 MAX.
 OFFSET BETWEEN SOLDER TAILS AND FITTING NAILS : 0.1 MAX.
 (N-1) / 2 が偶数の場合、偶数極側に適用。
 (N-1) / 2 が奇数の場合、奇数極側に適用。
 IF (N-1) / 2 = EVEN, APPLY FOR EVEN CIRCUIT SIDE,
 IF (N-1) / 2 = ODD, APPLY FOR ODD CIRCUIT SIDE,
- 一般公差 : ±0.3
 GENERAL TOLERANCES : ±0.3
- 本製品は 54393-**27 の鉛フリー品です
 THIS PRODUCT IS LEAD FREE OF 54393-**27

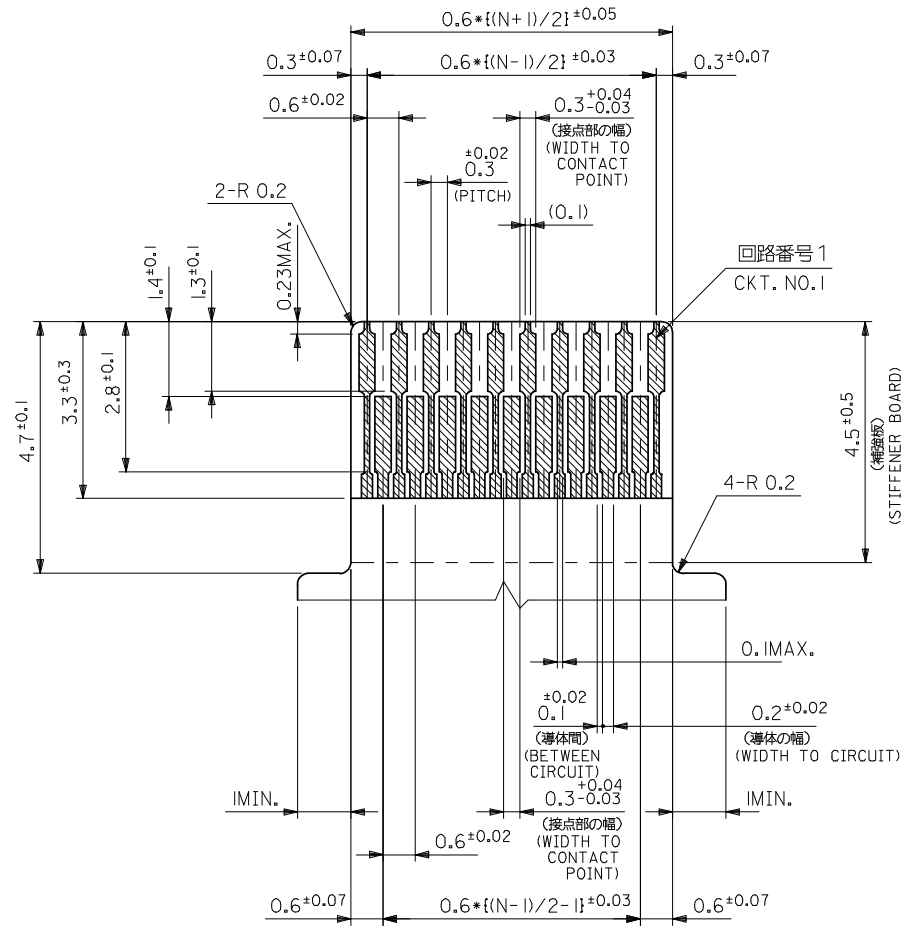
15.6	8.175	15	14.4	17.8	54393-5182	54393-5128	51
13.8	7.275	13.2	12.6	16	54393-4582	54393-4528	45
12	6.375	11.4	10.8	14.2	54393-3982	54393-3928	39
10.2	5.475	9.6	9	12.4	54393-3382	54393-3328	33
8.4	4.575	7.8	7.2	10.6	54393-2782	54393-2728	27
7.2	3.975	6.6	6.0	9.4	54393-2382	54393-2328	23
6.6	3.675	6	5.4	8.8	54393-2182	54393-2128	21
5.4	3.075	4.8	4.2	7.6	54393-1782	54393-1728	17
E	D	C	B	A	EMBOSSED TAPE	MATERIAL NO.	CKT.
					ORDER No. オート-番号		
					54393-**28	MODEL NO.	

REVISED EC NO: J2008-4034 DRWN: WABEI CHKD: THARUYAMA APPR: NUKITA 2008/05/28 2008/05/28 2008/05/28	GENERAL TOLERANCES (UNLESS SPECIFIED)		DIMENSION STYLE MM ONLY		SCALE 10:1	DESIGN UNITS METRIC	THIRD ANGLE PROJECTION
	10 UNDER	± ---	DRAWN BY T. UENO	DATE '03/12/22	TITLE 0.3 FPC CONN (EASY ON) HSG ASSY -LEAD FREE-		
	10 OVER 30 UNDER	± ---	CHECKED BY M. SASAO	DATE '03/12/22			
	30 OVER	± ---	APPROVED BY M. SASAO	DATE '03/12/22	MOLEX INCORPORATED		
	ANGULAR	± --- °	MATERIAL NO.	DOCUMENT NO.			
DRAFT WHERE APPLICABLE MUST REMAIN WITHIN DIMENSIONS		SEE TABLE		SD-54393-022			



FPC挿入側
FPC INSERTION SIDE

参考基板レイアウト
RECOMMENDED P.C.BOARD
PATTERN DIM. (REF.)
(マウント面)
(MOUNTING SIDE)



適合FPC推奨寸法
APPLICABLE FPC
RECOMMENDED DIM.
(仕上がり厚さ: 0.2±0.03)
(THICKNESS: 0.2±0.03)

FPCについて:
打抜き方向は導体側から補強板側を推奨致します。
補強フィルム材質はポリイミドを推奨致します。
接着剤は熱硬化接着剤を推奨致します。

ABOUT FPC:
RECOMMENDED PUNCHER DIRECTION : FROM CONDUCTOR SIDE TO STIFFENER BOARD SIDE.
RECOMMENDED MATERIAL:
STIFFENER FILM : POLYIMIDE
BONDING AGENT : THERMOSETTING BONDING AGENT

REVISED EC NO: J2008-4034 DRWN:WABEI CHKD:THARUYAMA APPR:NUKITA	DESCRIPTION REV	GENERAL TOLERANCES (UNLESS SPECIFIED)		DIMENSION STYLE MM ONLY		SCALE 10:1	DESIGN UNITS METRIC	THIRD ANGLE PROJECTION	
		10 UNDER	± ---	DRAWN BY T. UENO	DATE '03/12/22	TITLE 0.3 FPC CONN (EASY ON) HSG ASSY -LEAD FREE-			
		10 OVER 30 UNDER	± ---	CHECKED BY M. SASAO	DATE '03/12/22	MOLEX INCORPORATED			
		30 OVER	± ---	APPROVED BY M. SASAO	DATE '03/12/22	DOCUMENT NO. SD-54393-022		SHEET NO. 2 OF 2	
		ANGULAR	± --- °	MATERIAL NO. SEE SHEET 1					
DRAFT WHERE APPLICABLE MUST REMAIN WITHIN DIMENSIONS		THIS DRAWING CONTAINS INFORMATION THAT IS PROPRIETARY TO MOLEX INCORPORATED AND SHOULD NOT BE USED WITHOUT WRITTEN PERMISSION							