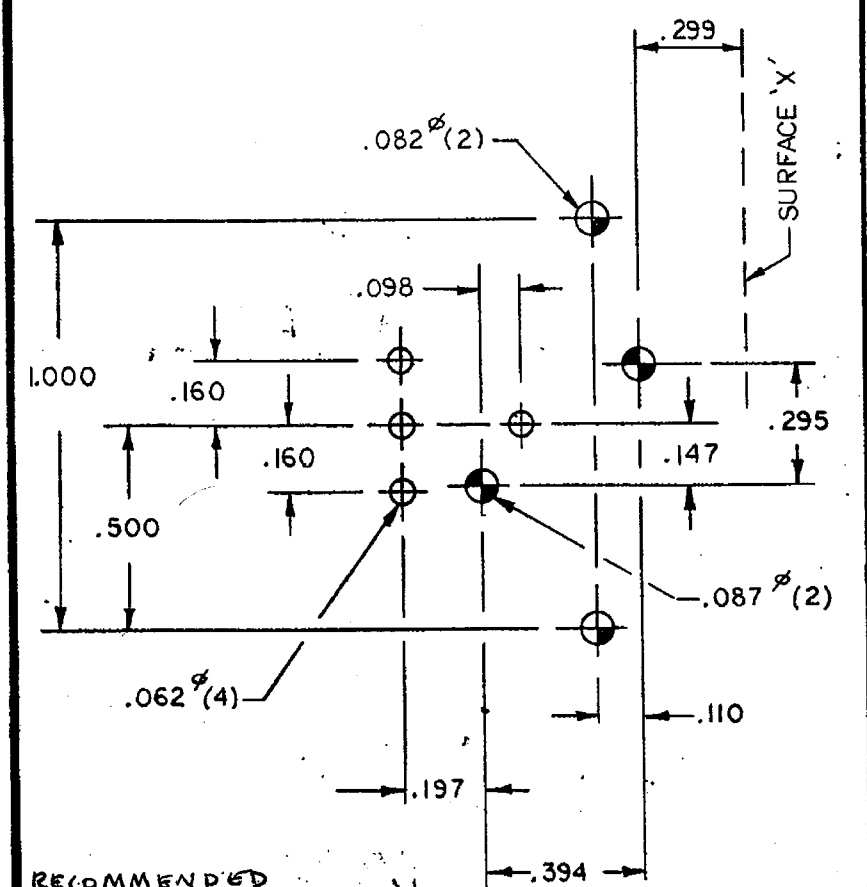
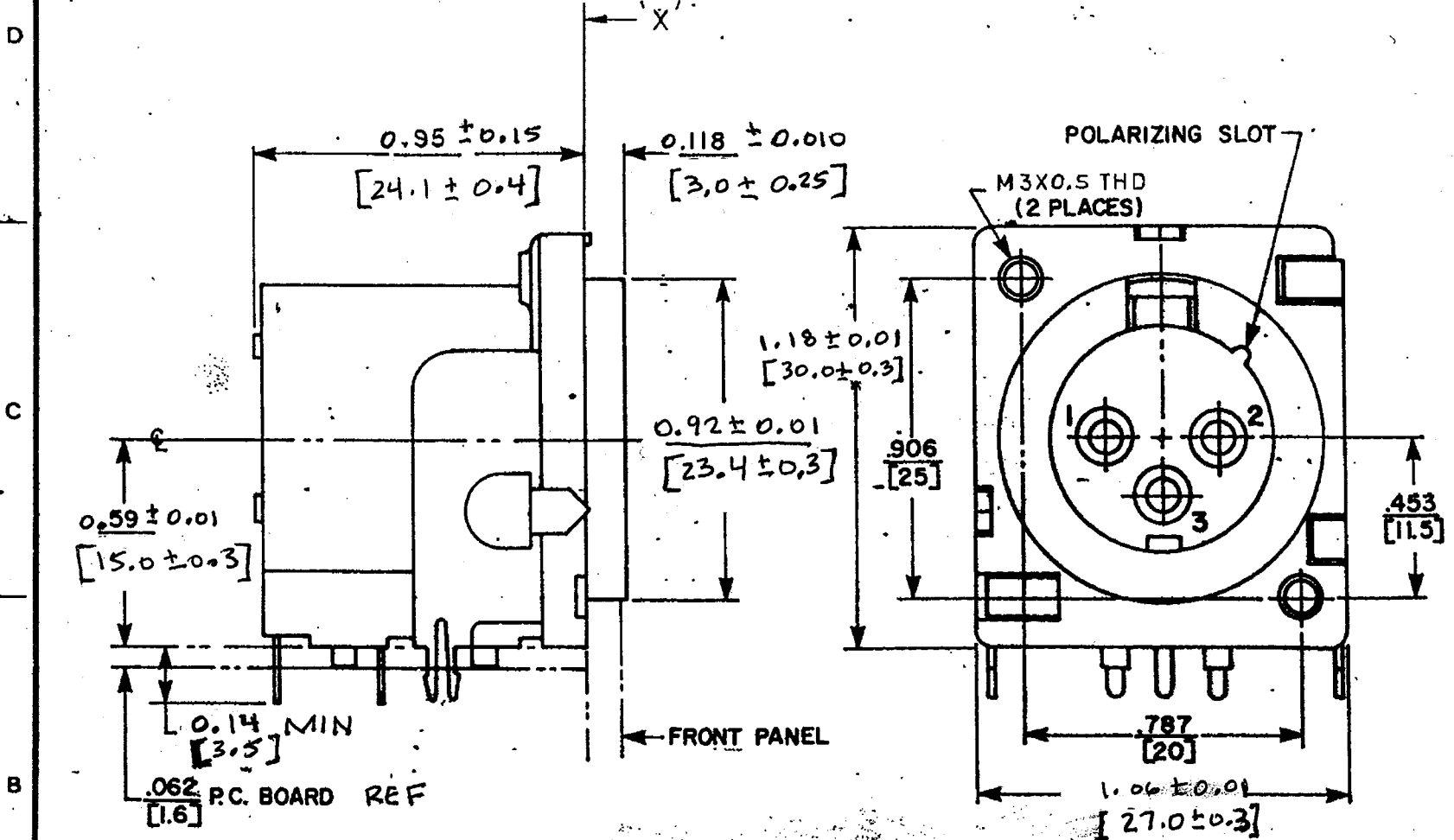


REV	SYM	REVISION	BY	DATE
6		ECO 16492	BDV	11-15-75



RECOMMENDED  
PC PATTERN  
COMPONENT SIDE.

CUSTOMER DRAWING

THIS DRAWING DESCRIBES A DESIGN CONSIDERED PROPRIETARY IN NATURE, DEVELOPED AND MANUFACTURED BY SWITCHCRAFT, INC. AND IS RELEASED ON A CONFIDENTIAL BASIS FOR IDENTIFICATION PURPOSE ONLY.

UNLESS OTHERWISE SPECIFIED:		DRAWN BY	DATE	FINISH
1. DECIMAL DIMENSIONS ± .005		BDV	11-15-75	
2. FRACTIONAL DIMENSIONS ± 1/64		CHECKED BY	DATE	PER FINISH SPEC. NO.
3. ANGLES ± 1/2°		BDV	11-15-75	MATERIAL
4. ALL DIA'S CONCENTRIC WITHIN .005 TIR		APPROVED BY	DATE	PER MAT. SPEC NO.
5. ALL DIMENSIONS IN INCHES		BDV	11-15-75	
6. FOR THREADS USE UNIFIED PLUG AND RING GAGES ONLY		SCALE	~	
7. REMOVE ALL BURRS		FIRST USED ON		
8. PART TO BE FABRICATED AS SPECIFIED MAKE NO DIMENSIONAL ALLOWANCES FOR APPLIED FINISHES, I.E. PLATING, PAINTING ETC		<b>Switchcraft®</b> A Raytheon Company		
9. HOLES ON SAME CENTERLINE MUST BE ALIGNED WITHIN ± .002				
NAME		PART NO.		ISSUE
PQG RECEPTACLE,		PQG 3MRA 112		G
MALE, R.A.		SHEET		OF

★ STAR SYMBOL DENOTES CRITICAL DIMENSION  
SEE S C ENGINEERING STANDARD ES-0001

SIZE	MULT	TEMPER
WIDTH	LES PER IN	

DO NOT SCALE DRAWING

