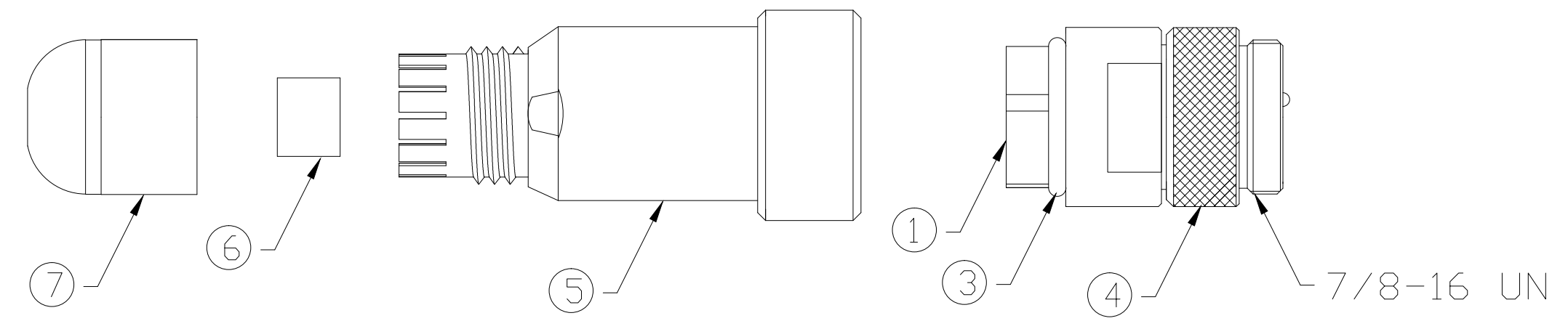
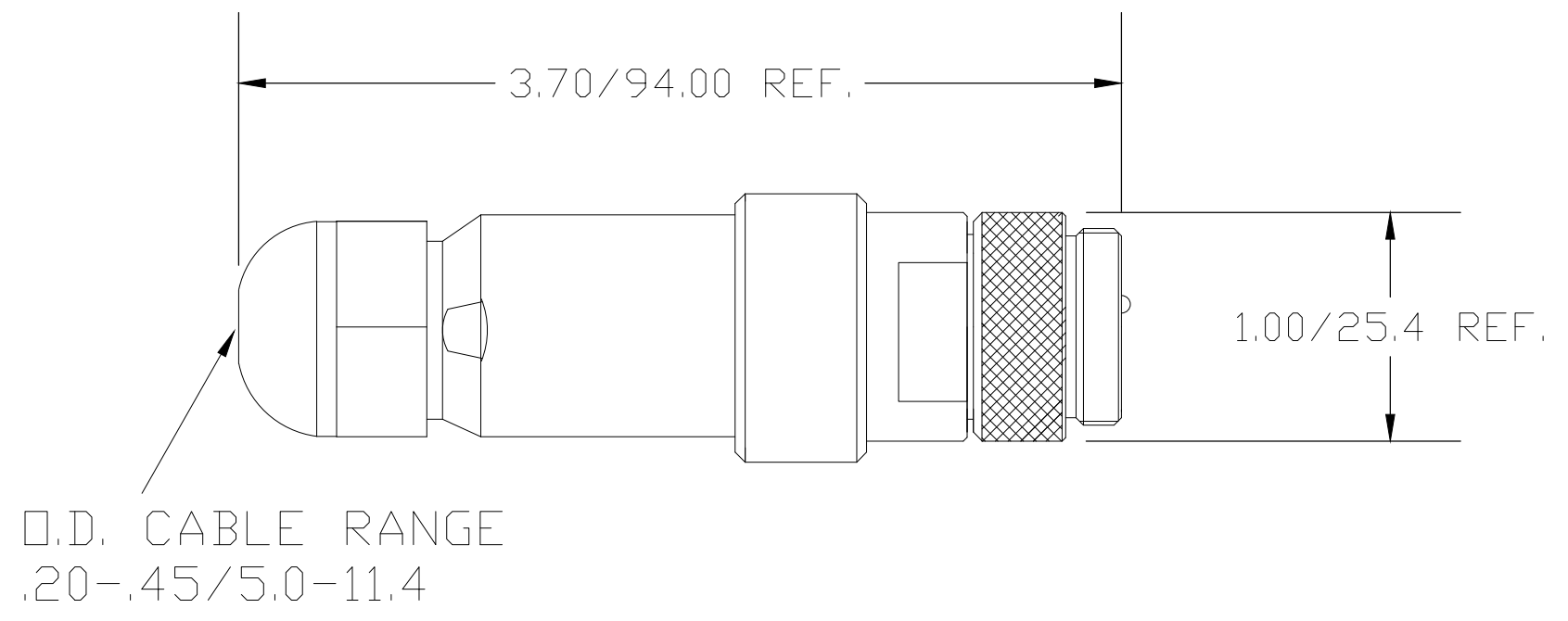
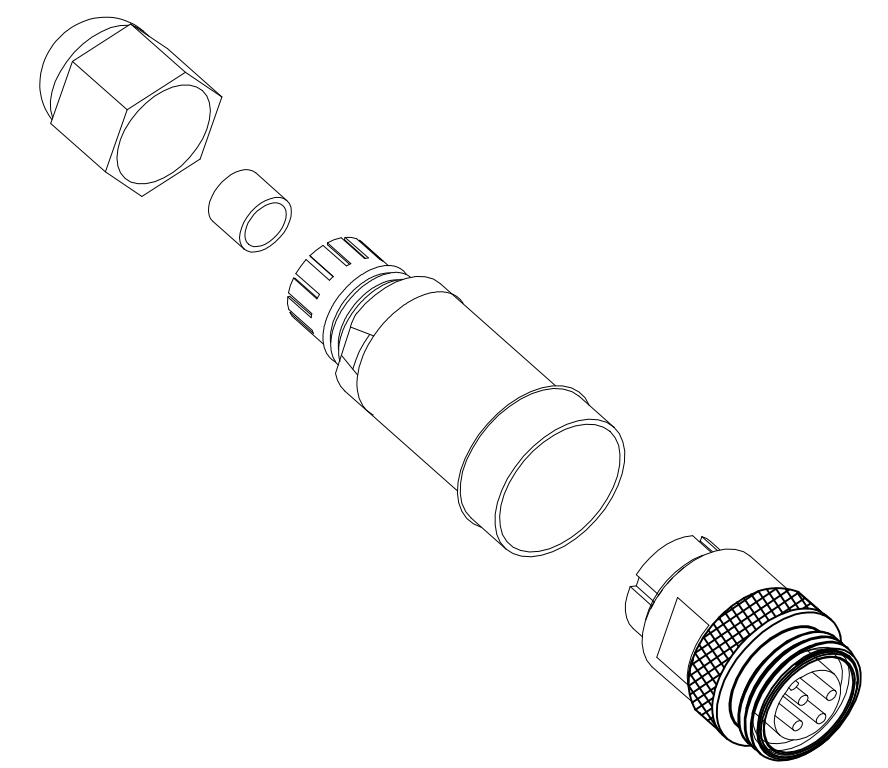
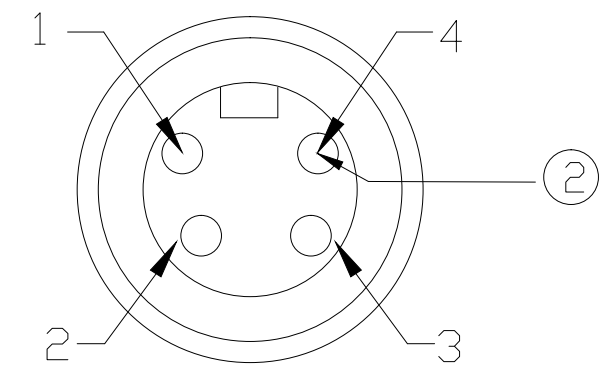


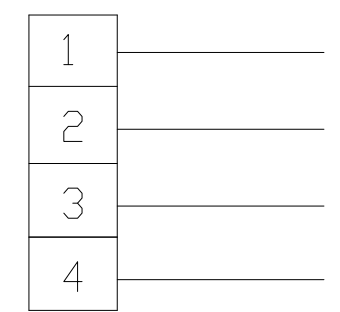
13	12	11	10	9	8	7	6	5	4	3	2	1
MATERIAL NUMBER	ENGINEERING PART NUMBER	COUPLING NUT MATERIAL	COUPLING NUT FINISH									
1300170020	1A4006-34	BRASS	NICKEL PLATED									
1300170021	1A4006-348	STAINLESS STEEL	PASSIVATED									



(B)



MALE FACE VIEW



WIRING CHART

(B)

VOLTAGE RATING	600VAC/VDC
AMPERAGE RATING	16 AWG 13 AMPS 18AWG 8 AMPS
PROTECTION	IP67
OPERATING TEMPERATURE	-20°C TO 80°C
CSA CERTIFICATIONS	CSA CERTIFIED, FILE NO. LR6837

ITEM	COMPONENT	MATERIAL	FINISH
1	INSERT	NYLON	BLACK
2	PIN CONTACTS	COPPER ALLOY	GOLD PLATED
3	O-RING	NITRILE	BLACK
4	COUPLING NUT	SEE CHART	SEE CHART
5	MOLDED BODY	NYLON	BLACK
6	GROMMET	NITRILE	BLACK
7	CORD GRIP BODY	NYLON	BLACK

OD RANGE WAS .20-.48, WAS 10 AMPS EC NO.: IFCG2013-1684 DRWN: RSTONE 5/1/13 CH'KD: BW APPR: BWOODMAN2009/08/26	QUALITY SYMBOL	$\nabla=0$ $\nabla C=0$
	DESCRIPTION	

GENERAL TOLERANCES (UNLESS SPECIFIED)																
	<table border="1"> <tr> <td></td> <td>mm</td> <td>INCH</td> </tr> <tr> <td>4 PLACES</td> <td>±---</td> <td>±---</td> </tr> <tr> <td>3 PLACES</td> <td>±---</td> <td>±.005</td> </tr> <tr> <td>2 PLACES</td> <td>±0.13</td> <td>±.01</td> </tr> <tr> <td>1 PLACE</td> <td>±0.3</td> <td>±.020</td> </tr> </table>		mm	INCH	4 PLACES	±---	±---	3 PLACES	±---	±.005	2 PLACES	±0.13	±.01	1 PLACE	±0.3	±.020
	mm	INCH														
4 PLACES	±---	±---														
3 PLACES	±---	±.005														
2 PLACES	±0.13	±.01														
1 PLACE	±0.3	±.020														
ANGULAR ±1/2°																
DRAFT WHERE APPLICABLE MUST REMAIN WITHIN DIMENSIONS																

DIMENSION STYLE		SCALE	DESIGN UNITS	THIRD ANGLE PROJECTION
IN/MM		---	INCH	
DRAWN BY	DATE	TITLE		
TWOLDEGE	2009/08/25	MINI CHANGE ATTACHABLE 4-POLE MALE ST .20-.45 O.D. CABLE RANGE		
CHECKED BY	DATE	MOLEX INCORPORATED		
BWOODMAN	2009/08/25			
APPROVED BY	DATE	MATERIAL NO.	DOCUMENT NO.	SHEET NO.
JFMURPHY	2009/08/26	SEE CHART	SD-130017-008	1 OF 1
THIS DRAWING CONTAINS INFORMATION THAT IS PROPRIETARY TO MOLEX INCORPORATED AND SHOULD NOT BE USED WITHOUT WRITTEN PERMISSION				