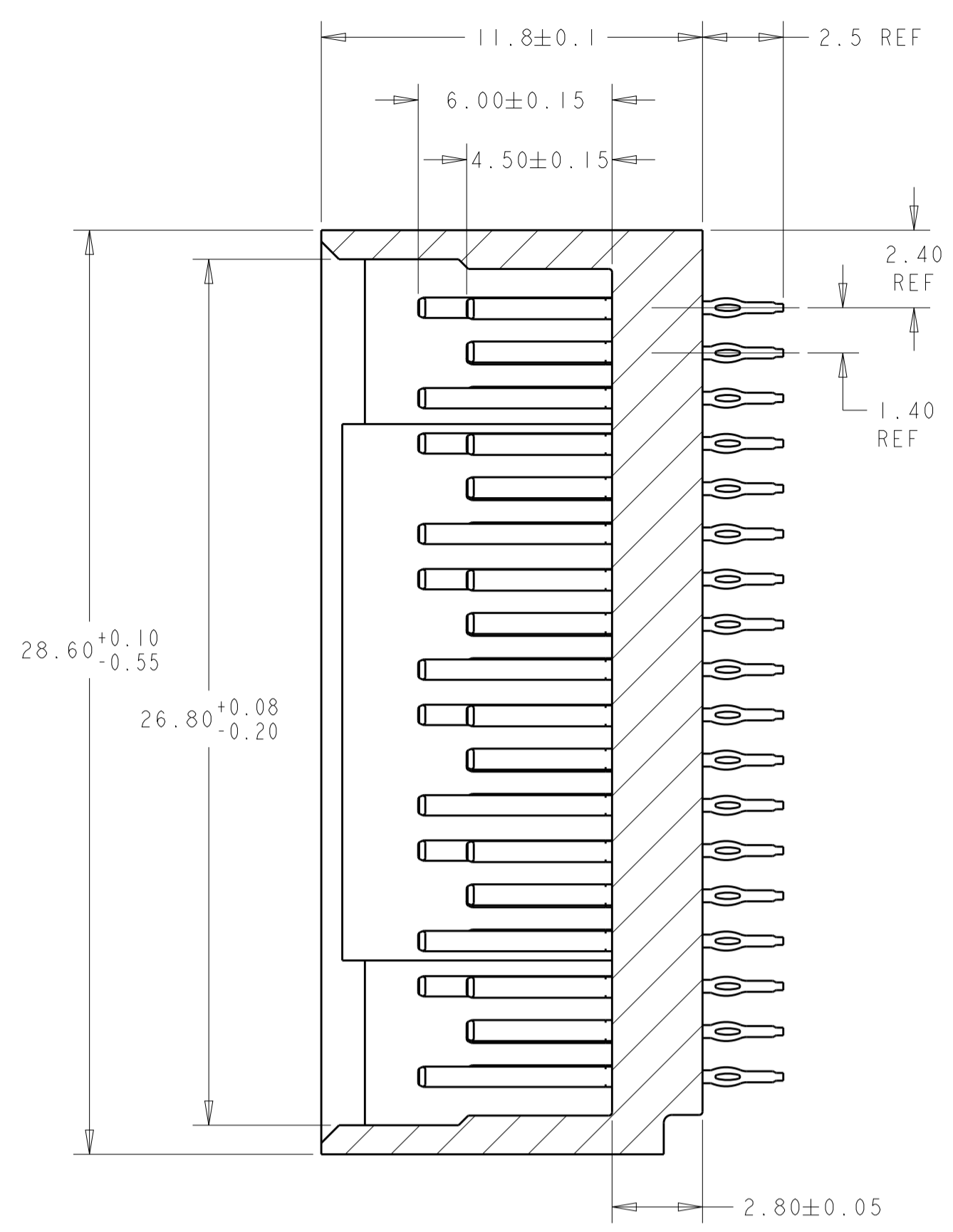
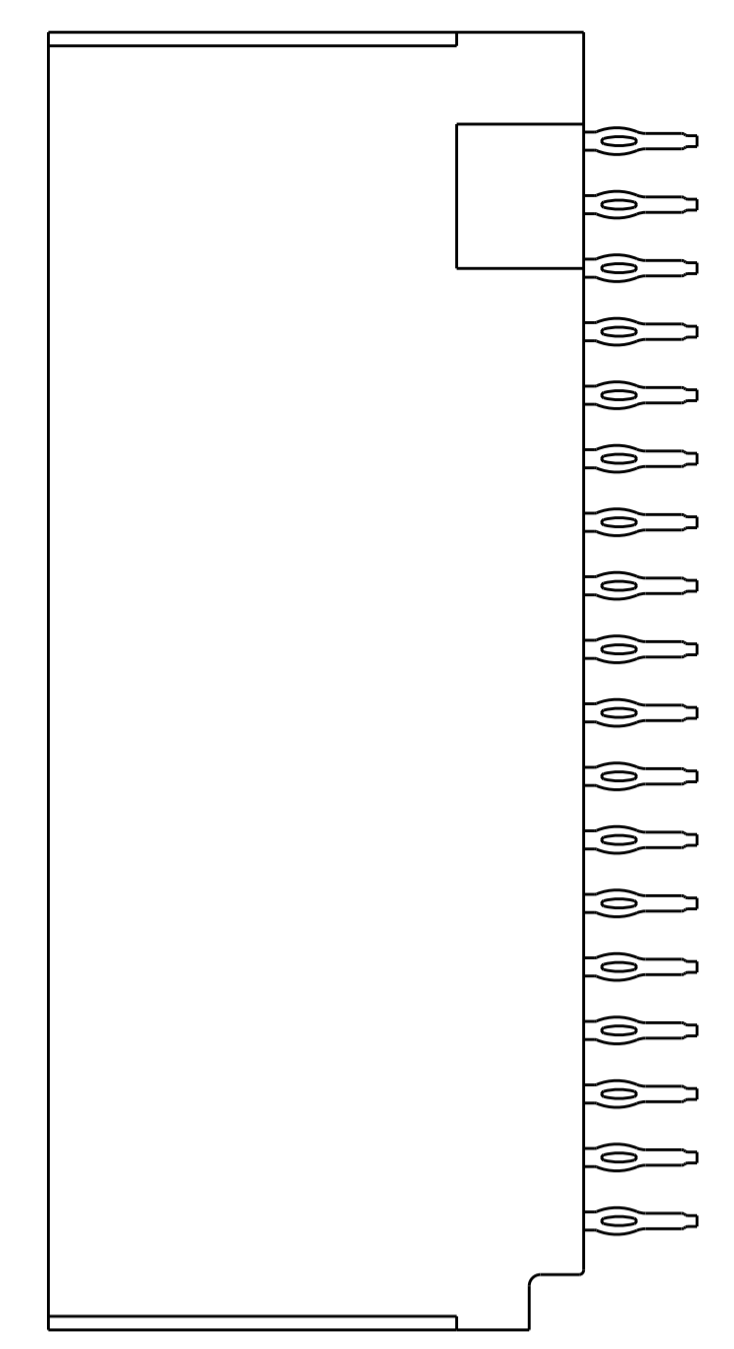
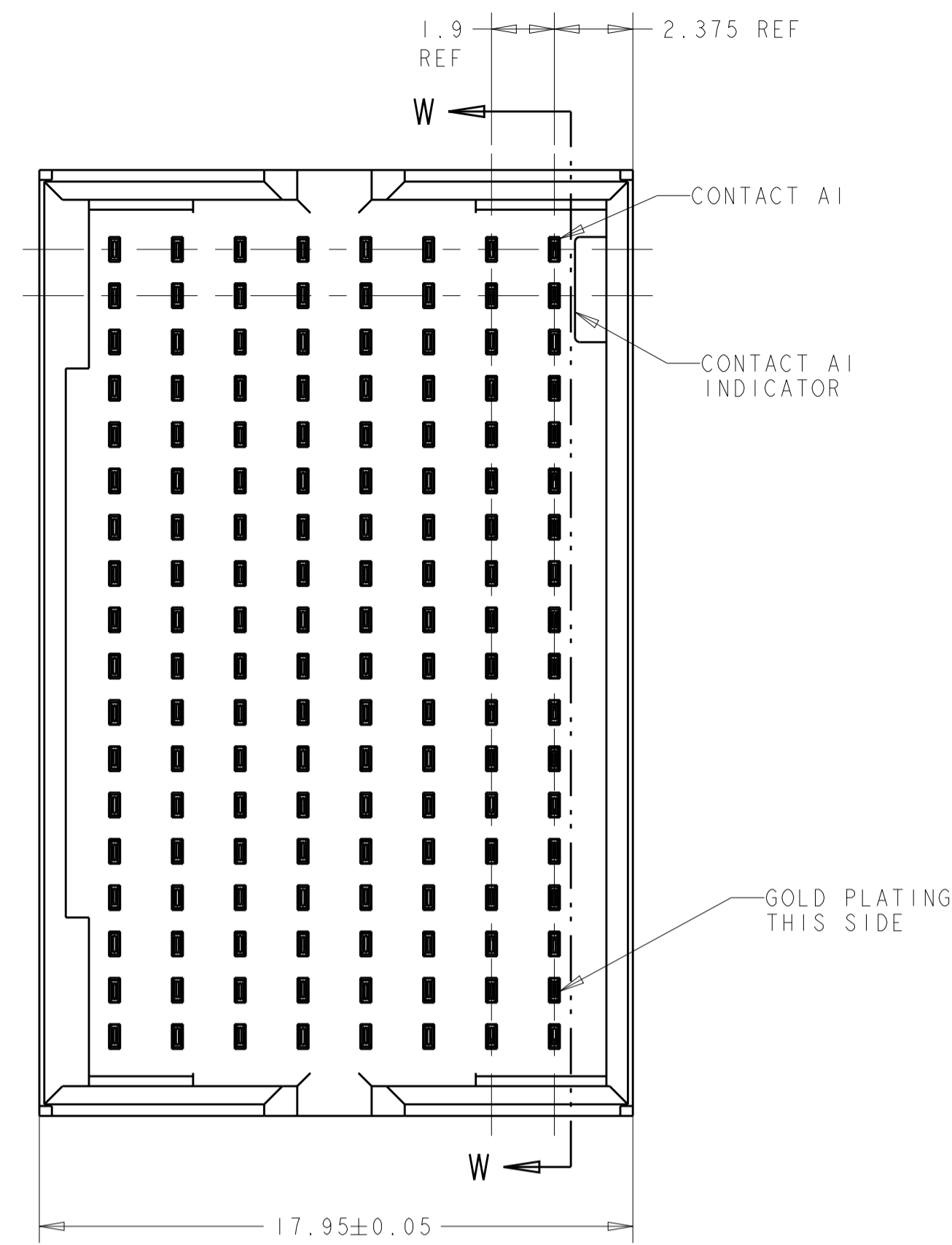
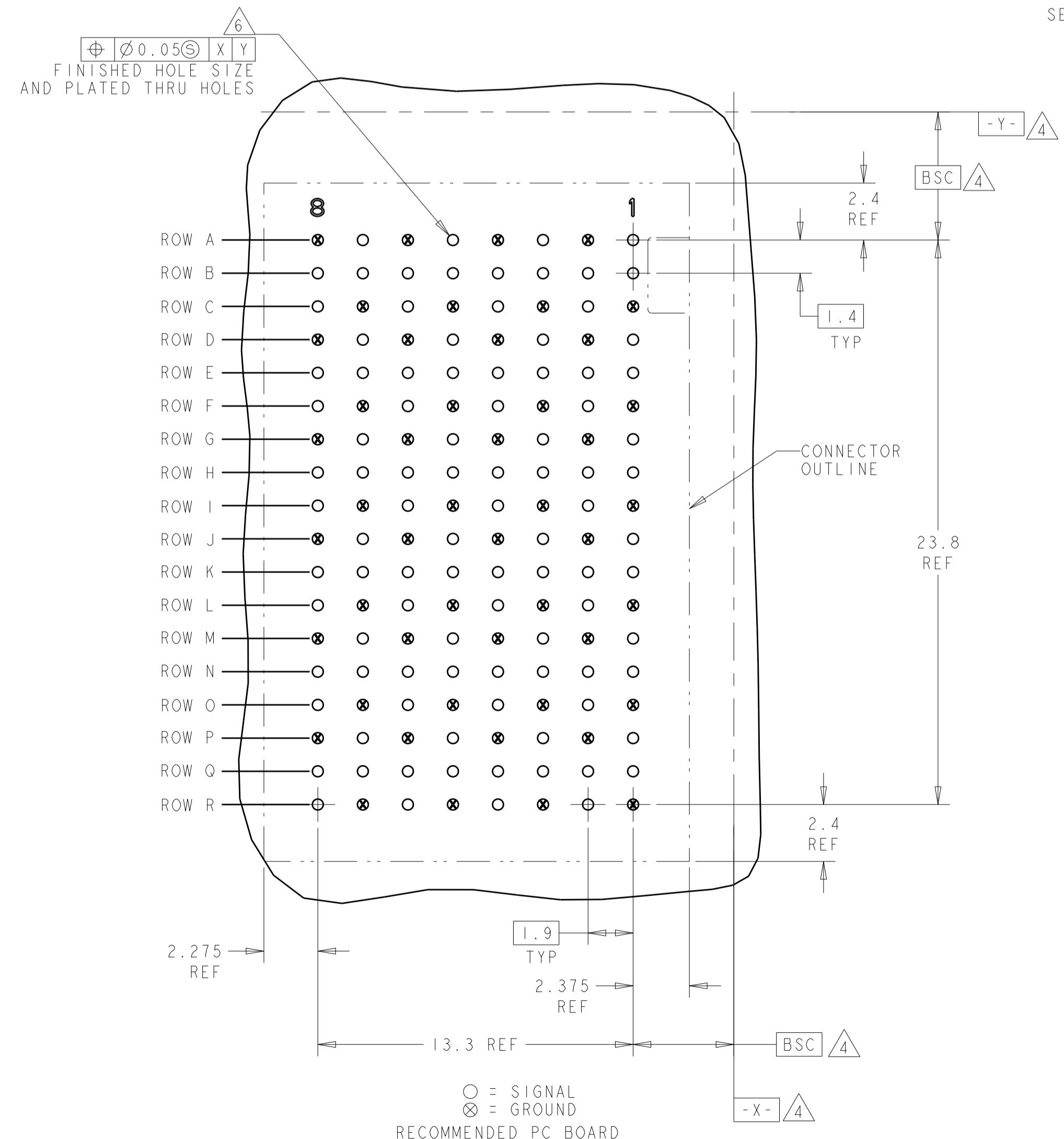


LOC		DIST		REVISIONS			
AD	00	P	LYN	DESCRIPTION	DATE	DWN	APVD
		D		REVISED PER ECO-13-002771	26FEB2013	KH	RP

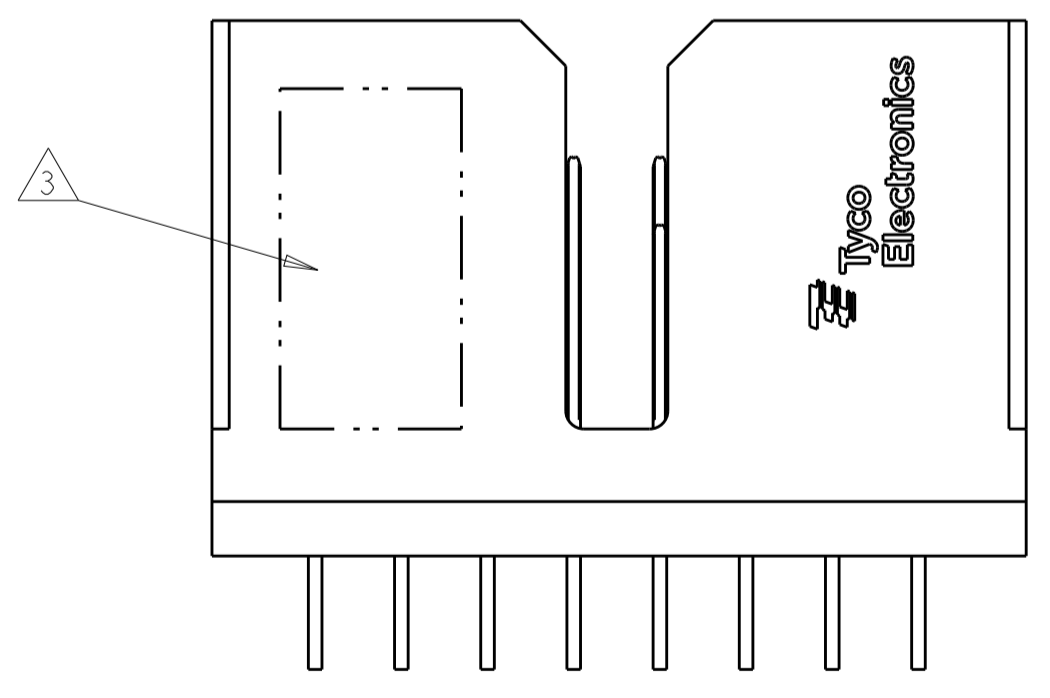


SECTION W-W



○ = SIGNAL
 ⊗ = GROUND
 RECOMMENDED PC BOARD LAYOUT BACKPLANE, COMPONENT SIDE SHOWN
 SCALE 6:1

- 1 MATERIAL:
CONTACT - PHOS BRONZE
HOUSING - LCP, UL 94V-0, COLOR - BLACK
- 2 FINISH:
CONTACT AREA FINISH CONFORMS TO THE REQUIREMENTS OF TE PRODUCT SPECIFICATION 108-2303; BASED ON TELCORDIA GR-1217-CORE FOR SYSTEM QUALITY LEVEL III, APPLICATIONS IN CONTROLLED ENVIRONMENTS (CENTRAL OFFICE).
COMPLIANT PIN AREA- 0.5µm MIN MATTE TIN OVER 1.27µm MIN NICKEL.
- 3 CONNECTOR MARKED WITH PART NUMBER, DATE CODE AND STANDARD IN APPROXIMATE AREA SHOWN
- 4 DATUMS AND BASIC DIMENSIONS ESTABLISHED BY CUSTOMER.
- 5 CONTACT AREA LUBRICATED WITH BELLCORE APPROVED LUBRICANT. TECHNICAL REFERENCE GR-1217-CORE, ISSUE 1, NOVEMBER 1995.
- 6 REFERENCE APPLICATION SPEC 114-13202 FOR RECOMMENDED PLATED THRU HOLE DIAMETER AND PLATING THICKNESSES.



1934515-1
 PART NUMBER

THIS DRAWING IS A CONTROLLED DOCUMENT.		DWN S. MAGARO 21SEPT2007	TE Connectivity
DIMENSIONS:		CHK W. DAVIS 21SEPT2007	
mm	TOLERANCES UNLESS OTHERWISE SPECIFIED:	APVD W. DAVIS 21SEPT2007	NAME
	0 PLC ±	PRODUCT SPEC	HEADER ASSEMBLY, DOUBLE WALL, 6 PAIR, 8 COLUMN
	1 PLC ±	APPLICATION SPEC	TinMan
	2 PLC ±	WEIGHT	SIZE CAGE CODE DRAWING NO RESTRICTED TO
	3 PLC ±	CUSTOMER DRAWING	A100779C=1934515
	4 PLC ±	SCALE 8:1	SHEET 1 OF 1 REV D
	ANGLES		