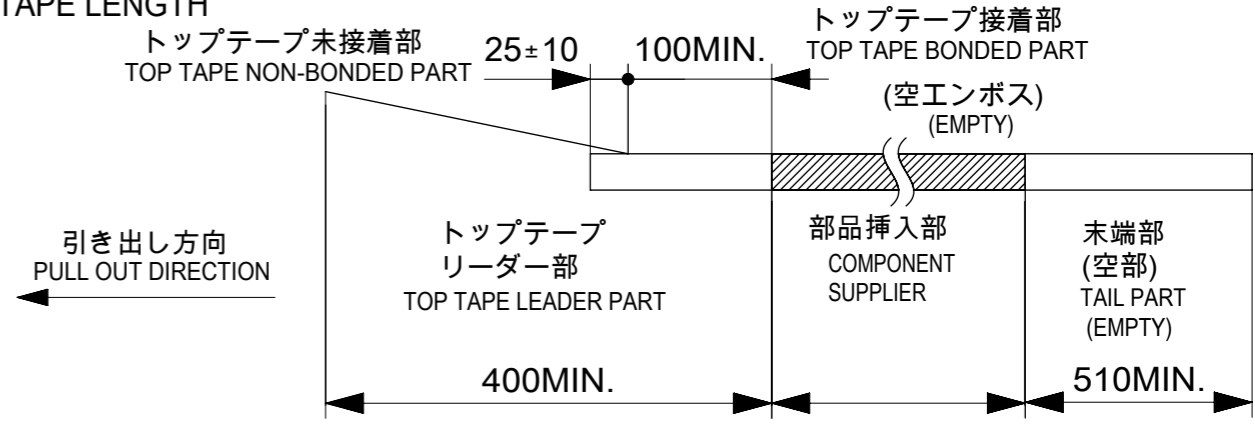


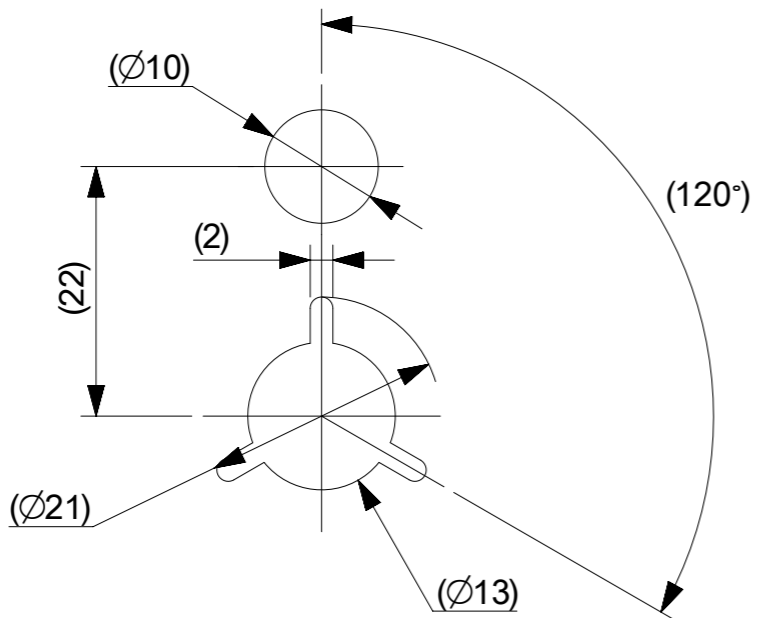
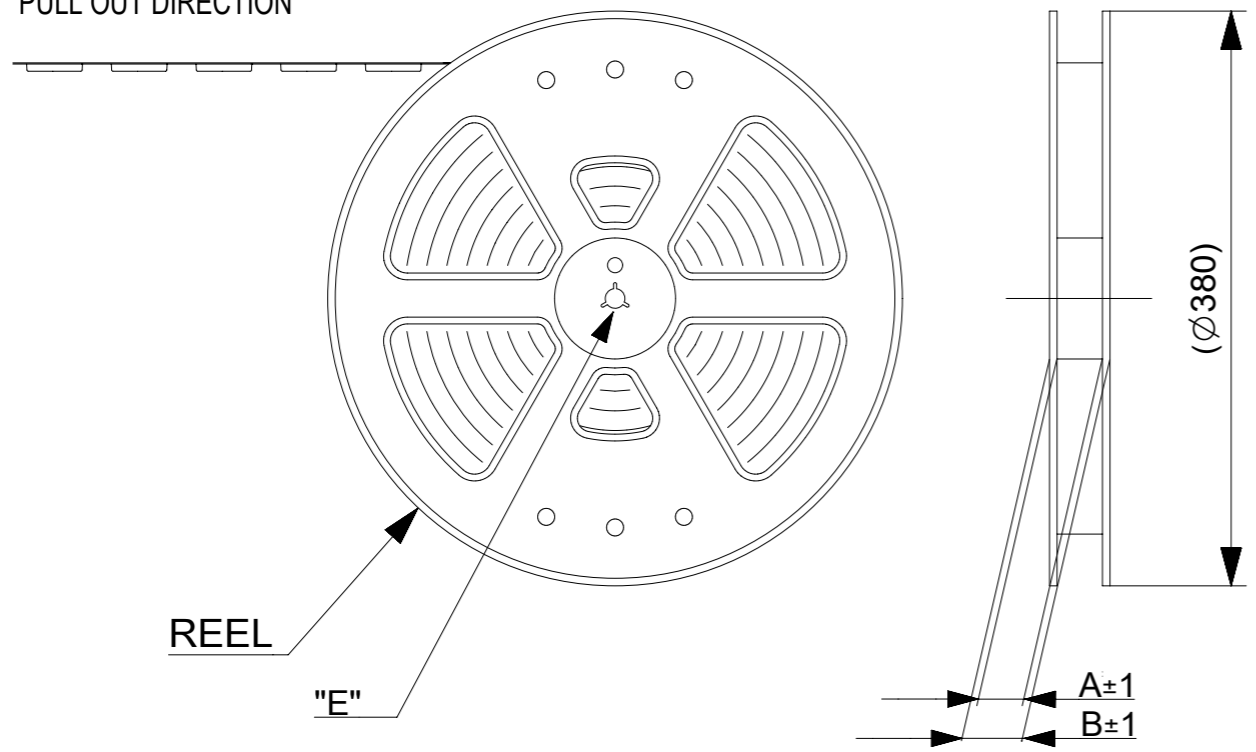
NOTES

- 1. 梱包数量 : 2000個 / リール
NUMBER OF CONNECTORS : 2000 PCS/REEL
- 2. リードテープ長さ
LEAD TAPE LENGTH



- 3. トッptapeの剥離強度については、IEC60286-3に準拠。
TOP TAPE PEEL FORCE IS DEFINED BY IEC60286-3.
- 4. 製品詳細寸法については、図面781271001をご参照ください。
REFER TO THE 781271001 ABOUT DIMENSIONS IN DETAIL.
- 5. 材料
 キャリアテープ : ポリスチレン(PS)
 トッptape : PET, OTHER
 リール : ポリスチレン(PS)(リサイクル材を含む)
 MATERIAL
 CARRIER TAPE : POLYSTYRENE(PS)
 TOP TAPE : PET, OTHER
 REEL : POLYSTYRENE(PS) (RECYCLE MATERIAL CONTAINED)
- 6. 環境負荷物質の管理のため「化学物質ガイドライン(MCSS)」の内容を満足すること。
"MOLEX CHEMICAL SUBSTANCES SPECIFICATION (MCSS)" SHALL BE APPLIED FOR MANAGEMENT OF ENVIRONMENTAL HAZARDOUS MATERIALS.

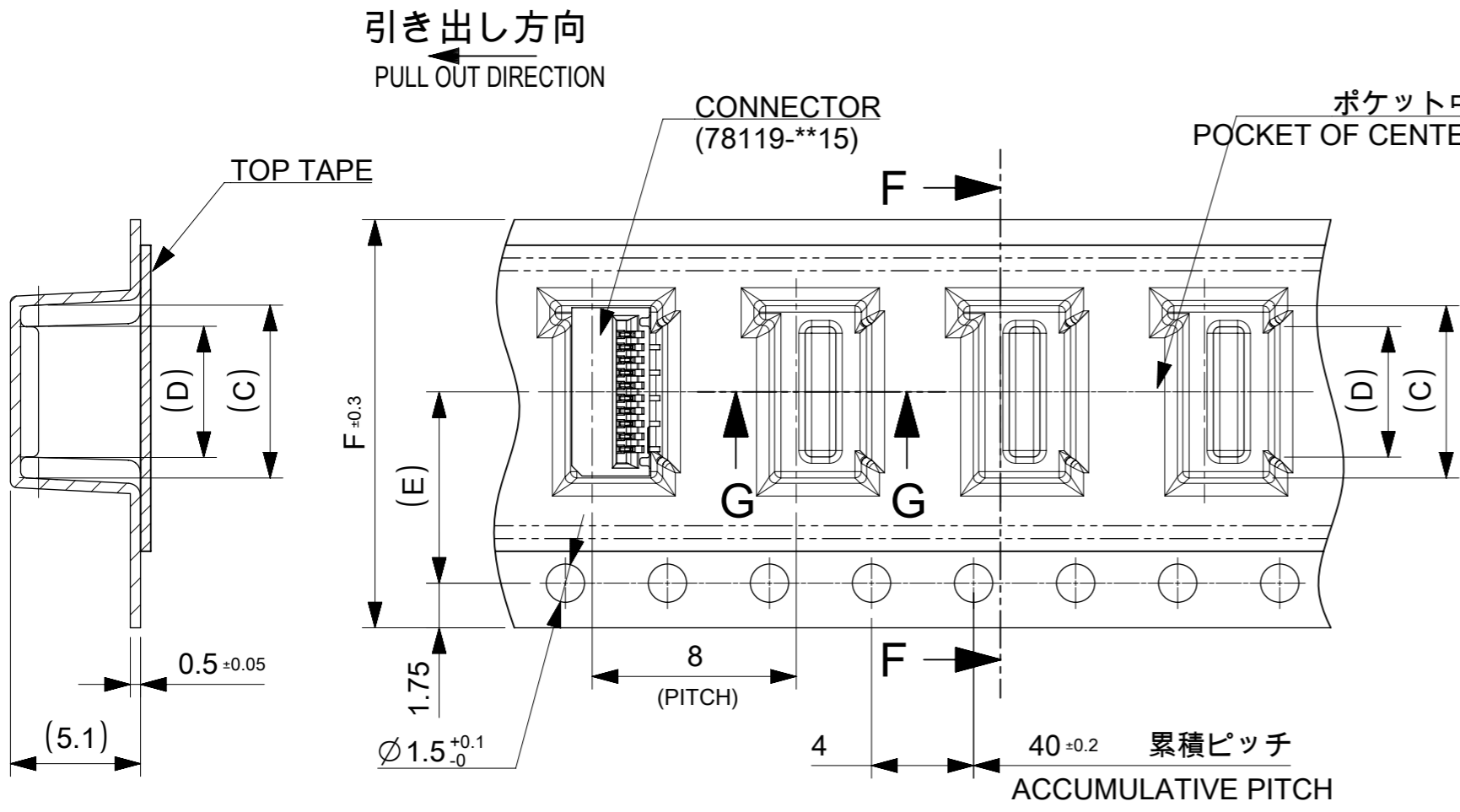
引き出し方向
PULL OUT DIRECTION



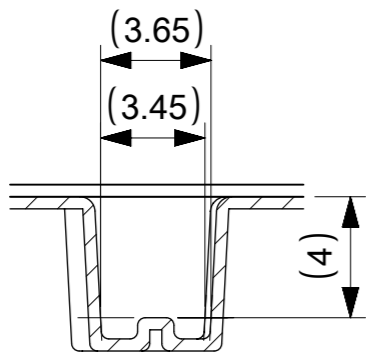
DETAIL "E"

CONNECTOR SERIES NO. 78127**15

THIS DRAWING CONTAINS INFORMATION THAT IS PROPRIETARY TO MOLEX ELECTRONIC TECHNOLOGIES, LLC AND SHOULD NOT BE USED WITHOUT WRITTEN PERMISSION											
DIMENSION UNITS		SCALE		CURRENT REV DESC:				molex		0.5 FPC CONN. N-ZIF ST SB EMBS TP PKG	
mm		2±									
GENERAL TOLERANCES (UNLESS SPECIFIED)				EC NO: 681464				PRODUCT CUSTOMER DRAWING			
ANGULAR TOL ± 1.0°				DRWN: RAJMOK 2021/10/13							
4 PLACES ± 0.1				CHK'D: TKON 2021/10/18				DOCUMENT NUMBER: 781270001			
3 PLACES ± 0.1				APPR: SHOSHIKAWA 2021/10/18							
2 PLACES ± 0.1				INITIAL REVISION:				DOC TYPE: PSD		DOC PART: 000	
1 PLACE ± 0.1				DRWN: NASANUMA 2016/06/27				REVISION: B			
0 PLACES ± 0.1				APPR: KMORIKAWA 2016/08/02				MATERIAL NUMBER: SEE TABLE		CUSTOMER: 1 OF 3	
DRAFT WHERE APPLICABLE MUST REMAIN WITHIN DIMENSIONS				THIRD ANGLE PROJECTION		DRAWING: A3-SIZE		SERIES: 78127		SHEET NUMBER: 1 OF 3	



SECTION F-F



SECTION G-G

16mm, 24mm幅キャリアテープ

16mm, 24mm WIDTH CARRIER TAPE

F TAPE WIDTH	E	D	C	B	A	EMBOSSED PACKAGE オーダー番号 ORDER NO	CIRCUIT
24	11.5	29.4	25.4	14.1	15.8	781272810	28
				13.6	15.3	781272710	27
				13.1	14.8	781272610	26
				12.6	14.3	781272510	25
				12.1	13.8	781272410	24
				11.6	13.3	781272310	23
				11.1	12.8	781272210	22
				10.6	12.3	781272110	21
				10.1	11.8	781272010	20
				9.6	11.3	781271910	19
				9.1	10.8	781271810	18
				8.6	10.3	781271710	17
8.1	9.8	781271610	16				
7.6	9.3	781271510	15				
16	7.5	21.4	17.4	7.1	8.8	781271410	14
				6.6	8.3	781271310	13
				6.1	7.8	781271210	12
				5.6	7.3	781271110	11
				5.1	6.8	781271010	10
				4.6	6.3	781270910	9
				4.1	5.8	781270810	8
				3.6	5.3	781270710	7
3.1	4.8	781270610	6				

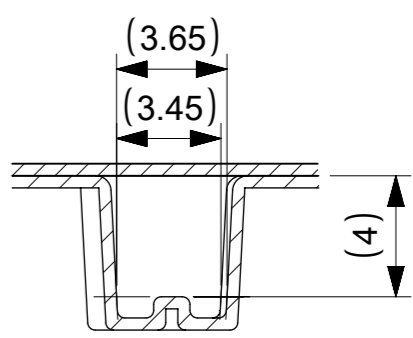
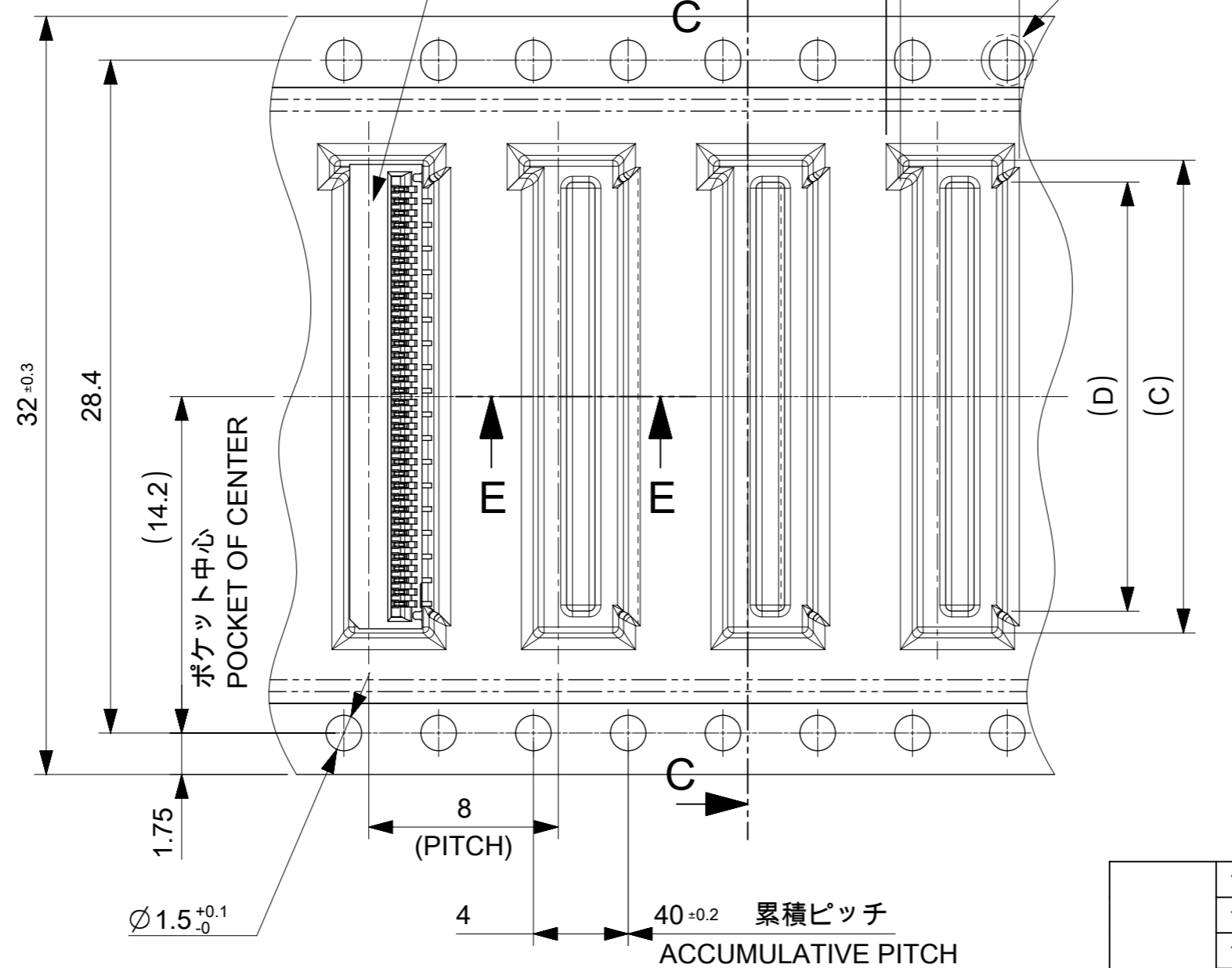
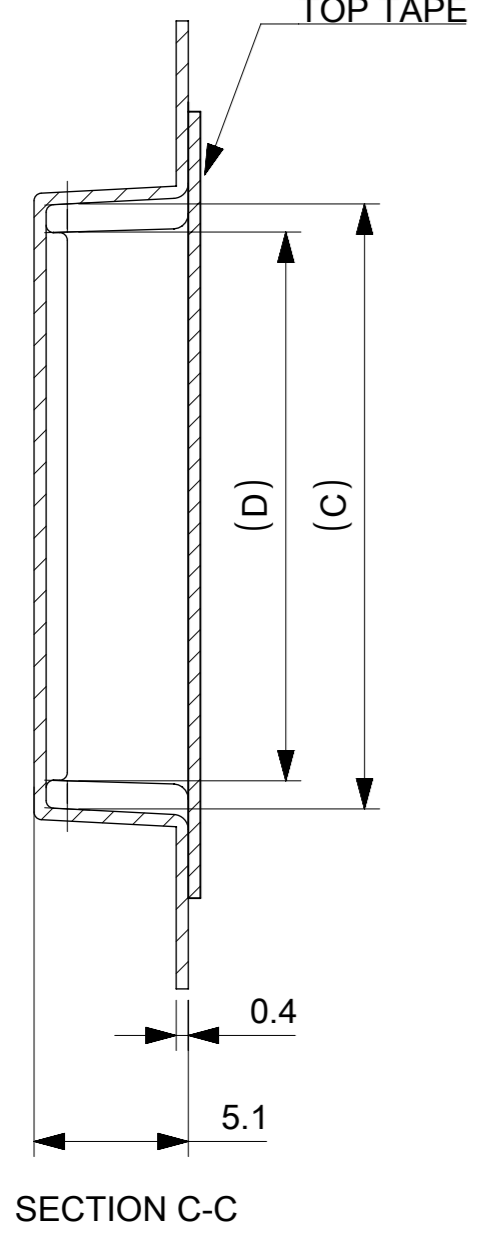
CONNECTOR SERIES NO. 78127**15

THIS DRAWING CONTAINS INFORMATION THAT IS PROPRIETARY TO MOLEX ELECTRONIC TECHNOLOGIES, LLC AND SHOULD NOT BE USED WITHOUT WRITTEN PERMISSION		CURRENT REV DESC:		molex	
DIMENSION UNITS	SCALE	EC NO: 681464			
mm	4:1	DRWN: RAJMOK 2021/10/13		0.5 FPC CONN. N-ZIF ST SB EMBS TP PKG	
GENERAL TOLERANCES (UNLESS SPECIFIED)		CHK'D: TKON 2021/10/18		PRODUCT CUSTOMER DRAWING	
ANGULAR TOL	± 1.0 °	APPR: SHOSHIKAWA 2021/10/18		DOCUMENT NUMBER	
4 PLACES	± 0.1	INITIAL REVISION:		781270001	
3 PLACES	± 0.1	DRWN: NASANUMA 2016/06/27		PSD 000 B	
2 PLACES	± 0.1	APPR: KMORIKAWA 2016/08/02		SHEET NUMBER	
1 PLACE	± 0.1	THIRD ANGLE PROJECTION		2 OF 3	
0 PLACES	± 0.1	DRAWING		SERIES	
DRAFT WHERE APPLICABLE MUST REMAIN WITHIN DIMENSIONS		A3-SIZE		78127	

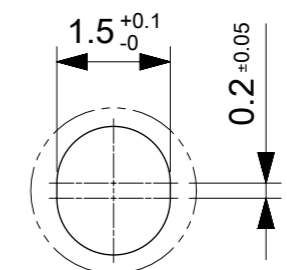
引き出し方向
PULL OUT DIRECTION

CONNECTOR
(78119-**15)

ELV&RoHS COMPLINT



SECTION E-E



DETAIL 1
SCALE 10:1

32	18.1	19.8	37.4	33.4	781273610	36
	17.6	19.3			781273510	35
	17.1	18.8			781273410	34
	16.6	18.3			781273310	33
	16.1	17.8			781273210	32
	15.6	17.3			781273110	31
	15.1	16.8			781273010	30
	14.6	16.3			781272910	29
TAPE WIDTH	D	C	B	A	EMBOSSED PACKAGE オーダー番号 ORDER NO	CIRCUIT

CONNECTOR SERIES NO. 78127**15

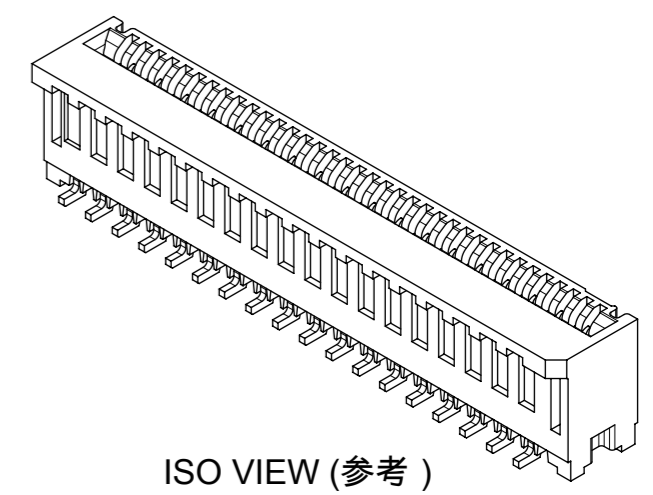
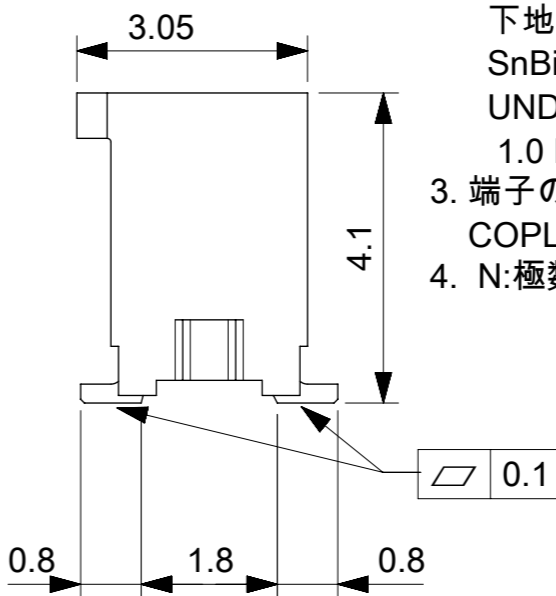
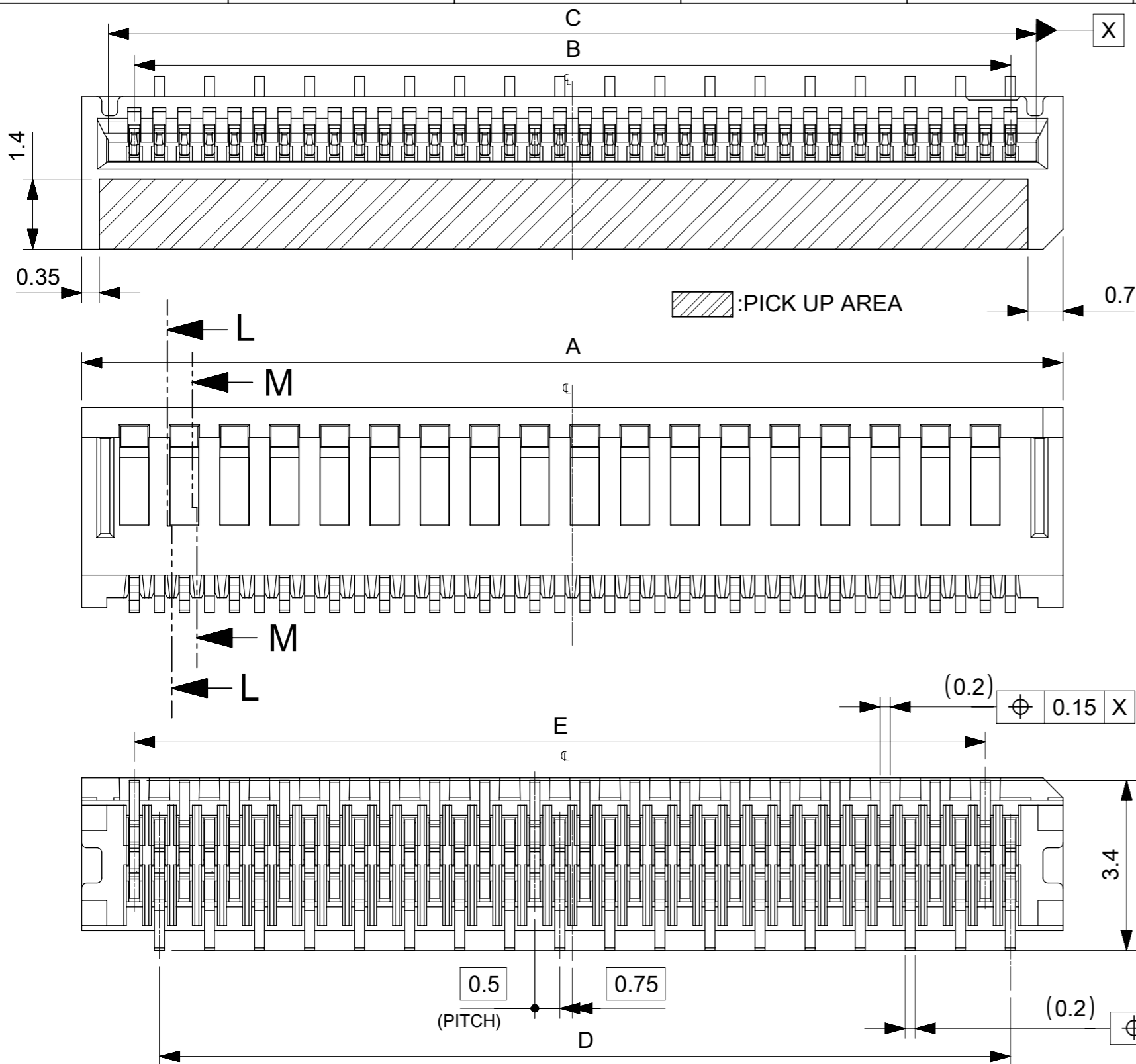
32mm幅キャリアテープ

32mm WIDTH CARRIER TAPE

THIS DRAWING CONTAINS INFORMATION THAT IS PROPRIETARY TO MOLEX ELECTRONIC TECHNOLOGIES, LLC AND SHOULD NOT BE USED WITHOUT WRITTEN PERMISSION									
DIMENSION UNITS	SCALE	CURRENT REV DESC:							
mm	4:1	<p>molex</p> <p>0.5 FPC CONN. N-ZIF ST SB EMBS TP PKG</p> <p>PRODUCT CUSTOMER DRAWING</p> <p>DOCUMENT NUMBER: 781270001 DOC TYPE: PSD DOC PART: 000 REVISION: B</p> <p>MATERIAL NUMBER: SEE TABLE CUSTOMER: SHEET NUMBER: 3 OF 3</p>							
GENERAL TOLERANCES (UNLESS SPECIFIED)									
ANGULAR TOL	± 1.0 °								
4 PLACES	± 0.1								
3 PLACES	± 0.1								
2 PLACES	± 0.1								
1 PLACE	± 0.1								
0 PLACES	± 0.1								
DRAFT WHERE APPLICABLE MUST REMAIN WITHIN DIMENSIONS		THIRD ANGLE PROJECTION	DRAWING	SERIES	MATERIAL NUMBER	CUSTOMER	SHEET NUMBER		
			A3-SIZE	78127	SEE TABLE		3 OF 3		

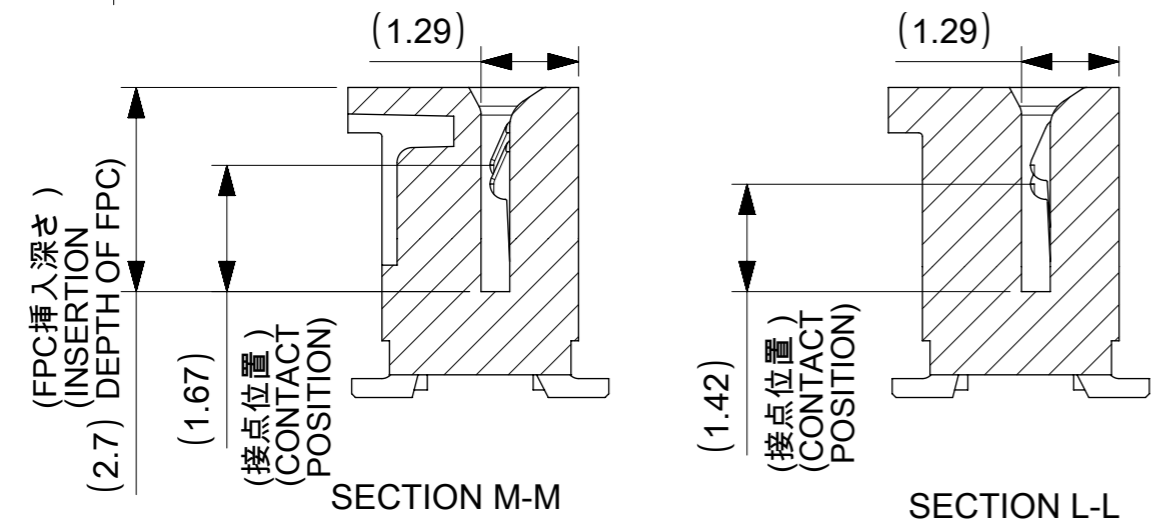
NOTES

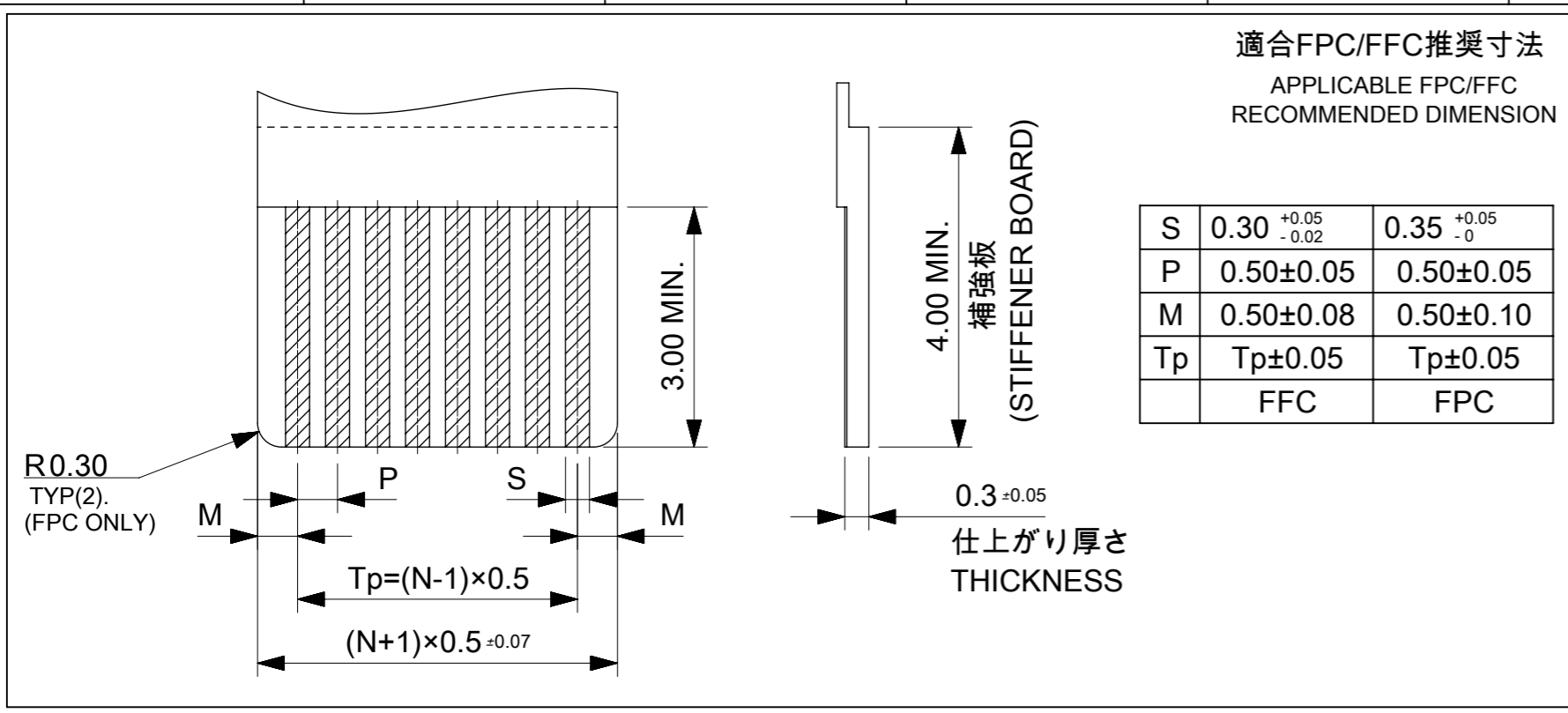
1. 使用材料 MATERIALS
 ハウジング : 液晶ポリマー(LCP)
 ガラス充填、UL94V-0、黒色
 端子 : リン青銅 t=0.2mm
 HOUSING : LIQUID CRYSTAL POLYMER(LCP)
 GLASS FILLED, UL94V-0, BLACK
 TERMINAL : PHOSPHOR BRONZE t=0.2mm
2. メッキ仕様 PLATING
 端子 TERMINAL
 錫ビスマスメッキ 1.0µm以上
 下地 : ニッケルメッキ 1.0µm以上
 SnBi PLATING 1.0 MICROMETER MINIMUM
 UNDER PLATING: Nickel PLATING
 1.0 MICROMETER MINIMUM
3. 端子の平坦度はテール部にて0.1mm以下とする。
 COPLANALITY OF SOLDER TAILS: 0.1mm MAX.
4. N:極数 N:CIRCUIT



CONNECTOR SERIES NO. 78127**15

THIS DRAWING CONTAINS INFORMATION THAT IS PROPRIETARY TO MOLEX ELECTRONIC TECHNOLOGIES, LLC AND SHOULD NOT BE USED WITHOUT WRITTEN PERMISSION			
EC NO: 107065	DRWN: NASANUMA	CHK'D: YKOBAYASHI02	APPR: KMORIKAWA
2016/01/12	2016/08/01	2016/08/02	
GENERAL TOLERANCES (UNLESS SPECIFIED)		DIMENSION UNITS	SCALE
ANGULAR TOL ± 0.5 °		MM	10:1
4 PLACES ± 0.01	3 PLACES ± 0.01	DRWN BY	DATE
2 PLACES ± 0.02	1 PLACE ± 0.05	NASANUMA	2016/01/12
0 PLACES ± 0.05		CHK'D BY	DATE
		YKOBAYASHI02	2016/08/01
DRAFT WHERE APPLICABLE MUST REMAIN WITHIN DIMENSIONS		APPR BY	DATE
		KMORIKAWA	2016/08/02
		DRAWING SIZE	THIRD ANGLE PROJECTION
		A3	
PRODUCT CUSTOMER DRAWING			
SERIES	MATERIAL NUMBER	CUSTOMER	
78127			
DOCUMENT NUMBER	DOC TYPE	DOC PART	SHEET NUMBER
781271001	PSD	000	1 OF 3





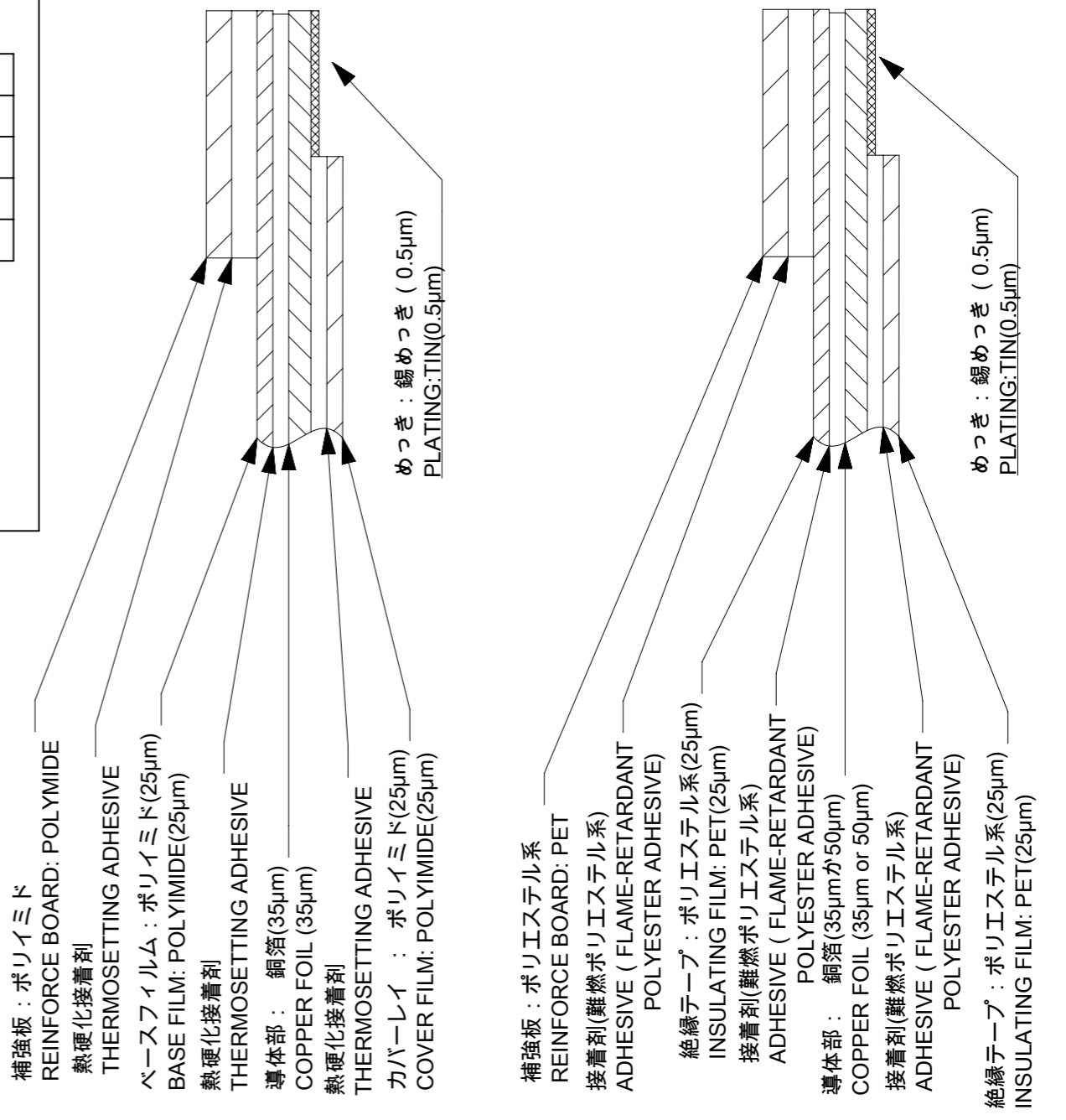
ELV & RoHS COMPLIANT

FPC/FFCについて
打抜き方向は導体側から補強版側を推奨します。
導体部については軟箔銅35μmまたは、50μmを推奨いたします。
接着剤の接点部への付着は導通不良の原因になりますので、染み出し無きことを推奨いたします。
FPC/FFCに規定された定格温度が、FPC/FFC単体前提である場合が御座います。
コネクタと組み合わせての実使用において、接着層が劣化する等の信頼性を満足できないケースを回避する為、
実機での評価 / 確認をお願い致します。

ABOUT FPC/FFC
RECOMMENDED PUNCHING DIRECTION: FROM CONDUCTOR SIDE TO STIFFENER SIDE.
RECOMMENDED CONDUCTOR SPEC: SOFT COPPER FOIL.
RECOMMENDED CONDUCTOR THICKNESS: 35 MICROMETER OR 50 MICROMETER.
RECOMMENDED PUT APPROPRIATE AMOUNT OF ADHESIVE ON ADHEREND BECAUSE THERE IS
A POSSIBILITY THAT EXTRA ADHESIVE CAUSES THE DEFECT IN ELECTRICAL CONTINUITY.
THE HEAT RESISTANCE OF FPC/FFC IS ONLY FPC/FFC SPEC.
TO PREVENT THE CASE THAT RELIABILITY CANNOT BE SATISFIED (THE ADHESIVE IS
DETERIORATED etc.) PLEASE DO THE EVALUATION AND THE CONFIRMATION
WITH ACTUAL CONNECTOR.

FPCについて
補強フィルム材は、ポリイミドを推奨します。ベースフィルムは25μmを推奨します。
接着剤は熱硬化接着剤を推奨します。

ABOUT FPC
RECOMMENDED STIFFENER MATERIAL: POLYIMIDE.
RECOMMENDED BASE FILM THICKNESS: 25 MICROMETER.
RECOMMENDED ADHESIVE: THERMOSETTING ADHESIVE.



FPC構成推奨仕様
STRUCTURE OF FPC

FFC構成推奨仕様
STRUCTURE OF FFC

THIS DRAWING CONTAINS INFORMATION THAT IS PROPRIETARY TO MOLEX ELECTRONIC TECHNOLOGIES, LLC AND SHOULD NOT BE USED WITHOUT WRITTEN PERMISSION

EC NO: 107065 DRWN: NASANUMA CHK'D: YKOBAYASHI02 APPR: KMORIKAWA	2016/01/12	2016/08/01	2016/08/02	GENERAL TOLERANCES (UNLESS SPECIFIED)	DIMENSION UNITS	SCALE			
	4 PLACES	± 0.01	NASANUMA		2016/01/12	MM		12:1	
	3 PLACES	± 0.01	CHK'D BY		DATE	DRWN BY		DATE	
	2 PLACES	± 0.02	YKOBAYASHI02		2016/08/01	CHK'D BY		DATE	
1 PLACE	± 0.05	APPR BY	DATE	0 PLACES	± 0.05	KMORIKAWA	2016/08/02	PRODUCT CUSTOMER DRAWING	
DRAFT WHERE APPLICABLE MUST REMAIN WITHIN DIMENSIONS		DRAWING SIZE	THIRD ANGLE PROJECTION	78127		SERIES		MATERIAL NUMBER	CUSTOMER
A	REV	A3		781271001		DOCUMENT NUMBER	DOC TYPE	DOC PART	SHEET NUMBER
						781271001	PSD	000	2 OF 3

