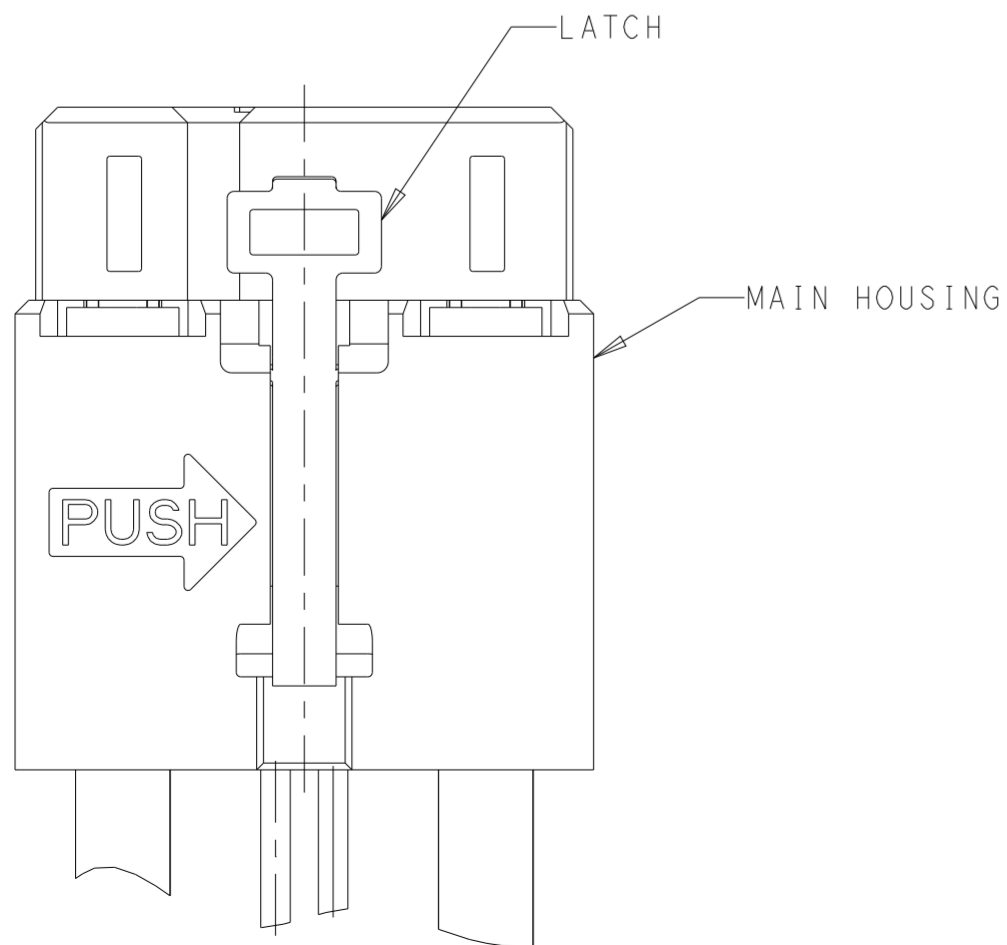
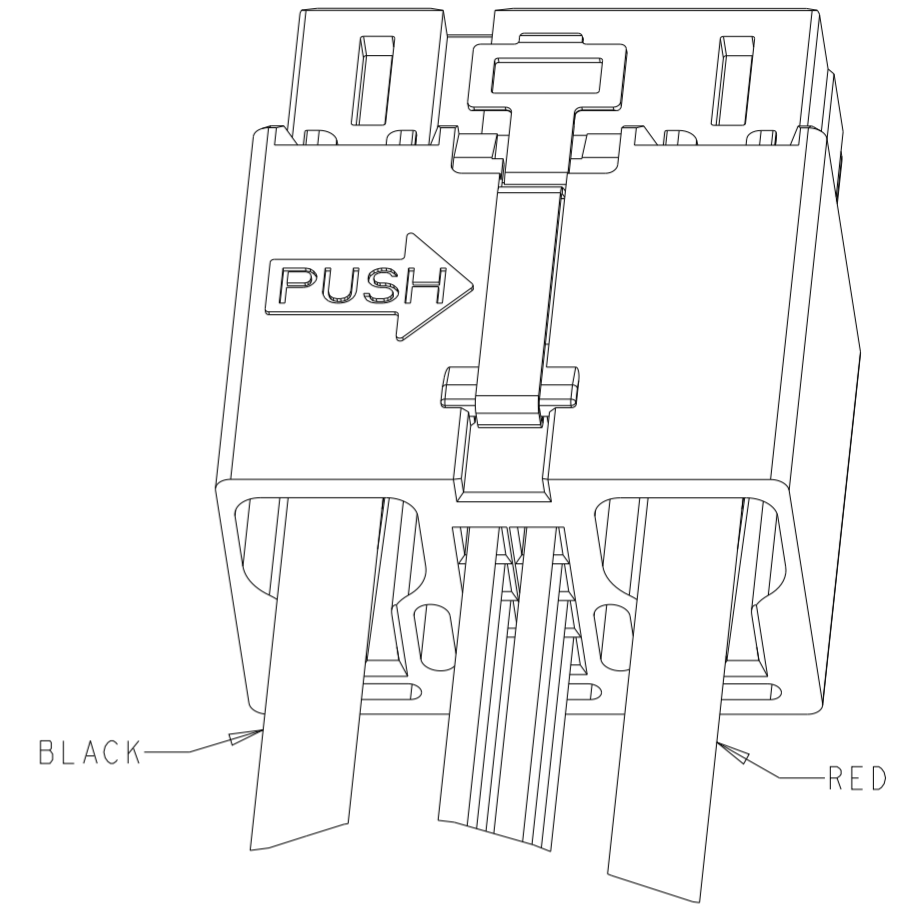
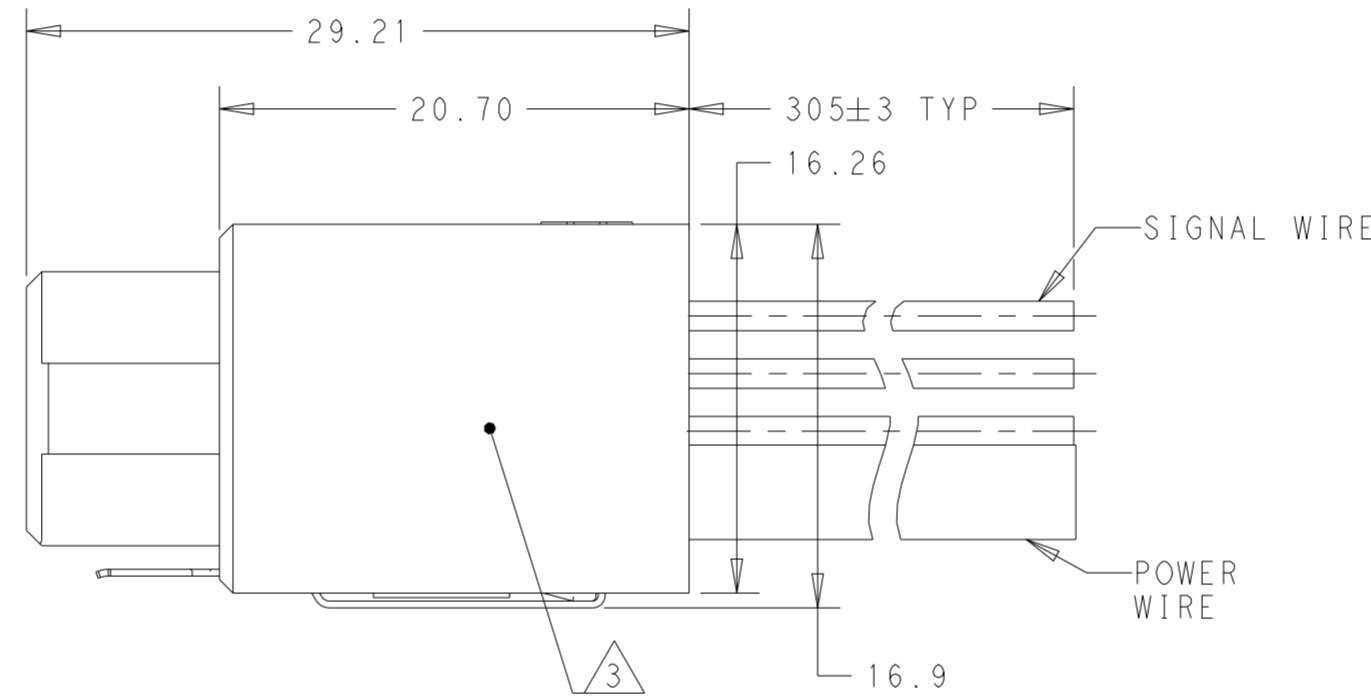
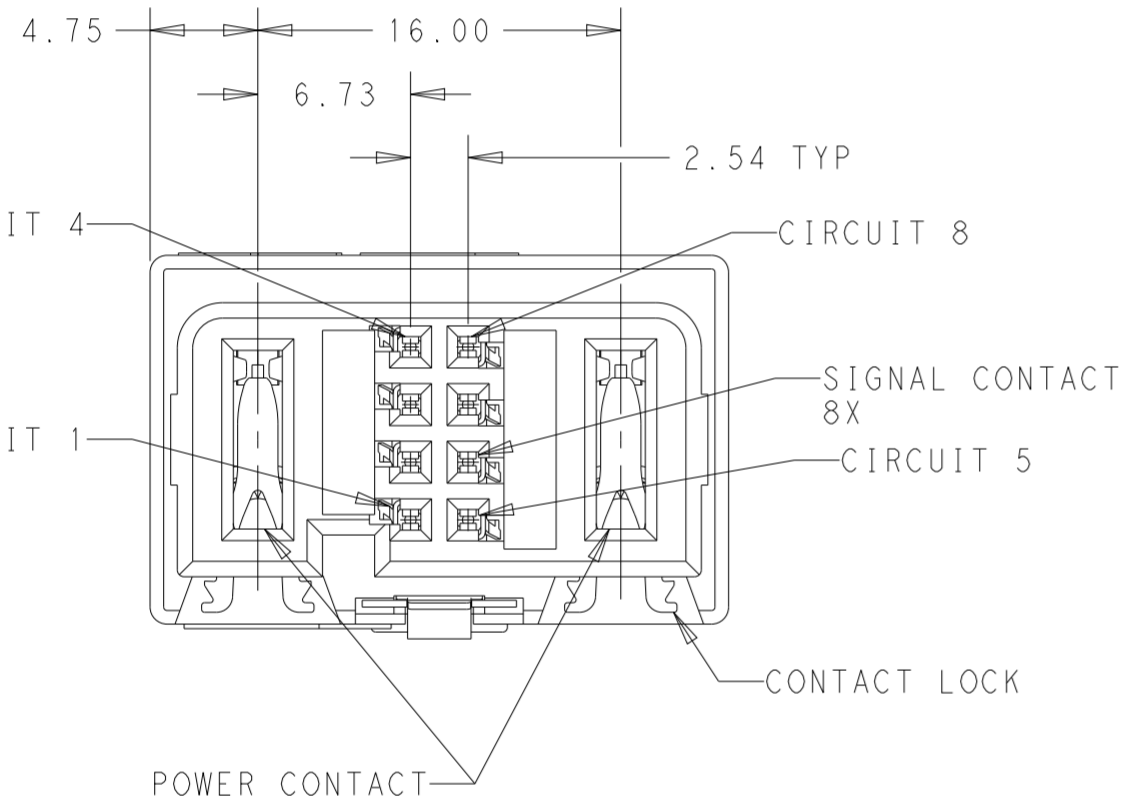
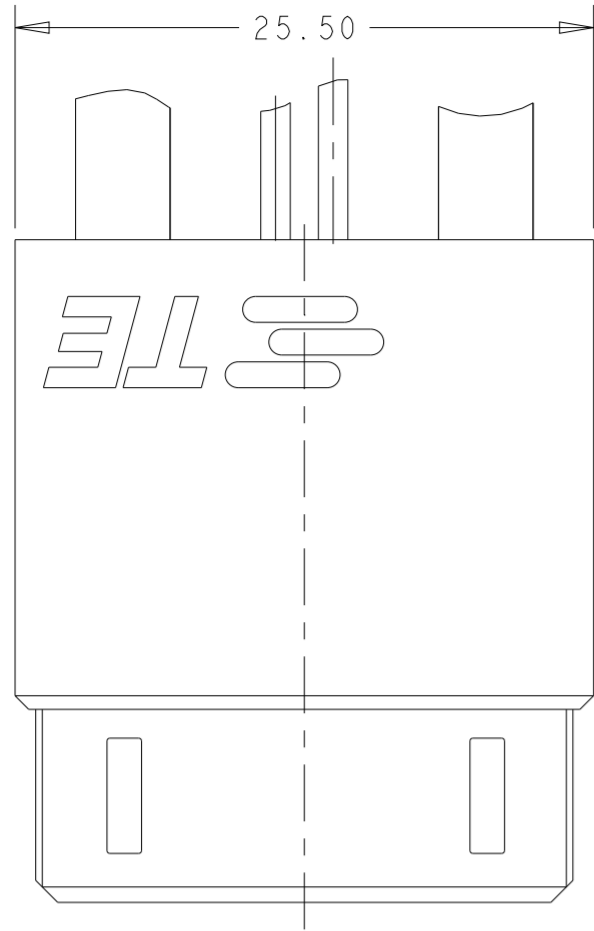


THIS DRAWING IS UNPUBLISHED. RELEASED FOR PUBLICATION 20
 © COPYRIGHT 20 BY - ALL RIGHTS RESERVED.

REVISIONS				
P	LTR	DESCRIPTION	DATE	APVD
A		INITIAL RELEASE	14SEP2021	



- 1 MATERIAL: LATCH - STAINLESS STEEL
 CONTACTS - COPPER ALLOY
 HOUSINGS - THERMOPLASTIC, UL94 V-0
 MAIN HOUSING COLOR: ORANGE
 CONTACT LOCKS COLOR: WHITE
 POWER WIRE - STRANDED COPPER WITH SILICONE JACKET, RATED TO 200°C
 COLOR: RED OR BLACK AS SHOWN
 SIGNAL WIRE - STRANDED COPPER, 24 AWG.
 COLOR: WHITE
- 2 FINISH: NICKEL UNDERPLATE ALL OVER.
 NOBLE METAL PLATING ON CONTACT FUNCTIONAL AREA.
 TIN PLATING IN CRIMP AREA
- 3 PART NUMBER AND DATECODE TO BE MARKED IN AREA SHOWN.

8 AWG	2332800-4
10 AWG	2332800-3
12 AWG	2332800-2
14 AWG	2332800-1
WIRE SIZE	PART NO.

THIS DRAWING IS A CONTROLLED DOCUMENT.		DWN K. MILLER 01OCT2018	TE Connectivity															
		CHK N. RUFFINI 01OCT2018																
DIMENSIONS: mm		TOLERANCES UNLESS OTHERWISE SPECIFIED:		APVD -														
<table border="0"> <tr> <td>0 PLC</td> <td>±</td> </tr> <tr> <td>1 PLC</td> <td>±0.25</td> </tr> <tr> <td>2 PLC</td> <td>±0.13</td> </tr> <tr> <td>3 PLC</td> <td>±</td> </tr> <tr> <td>4 PLC</td> <td>±</td> </tr> <tr> <td>ANGLES</td> <td>±2°0'</td> </tr> <tr> <td>FINISH</td> <td></td> </tr> </table>		0 PLC	±	1 PLC	±0.25	2 PLC	±0.13	3 PLC	±	4 PLC	±	ANGLES	±2°0'	FINISH		PRODUCT SPEC 108-163021	NAME UMP, RECEPTACLE, WITH SIGNAL CONNECTOR ASSEMBLY	
0 PLC	±																	
1 PLC	±0.25																	
2 PLC	±0.13																	
3 PLC	±																	
4 PLC	±																	
ANGLES	±2°0'																	
FINISH																		
MATERIAL		APPLICATION SPEC 114-163021	SIZE A2	CAGE CODE 00779														
1		WEIGHT -	DRAWING NO C-2332800	RESTRICTED TO -														
		CUSTOMER DRAWING		SCALE 3:1 SHEET 1 OF 1 REV A														